

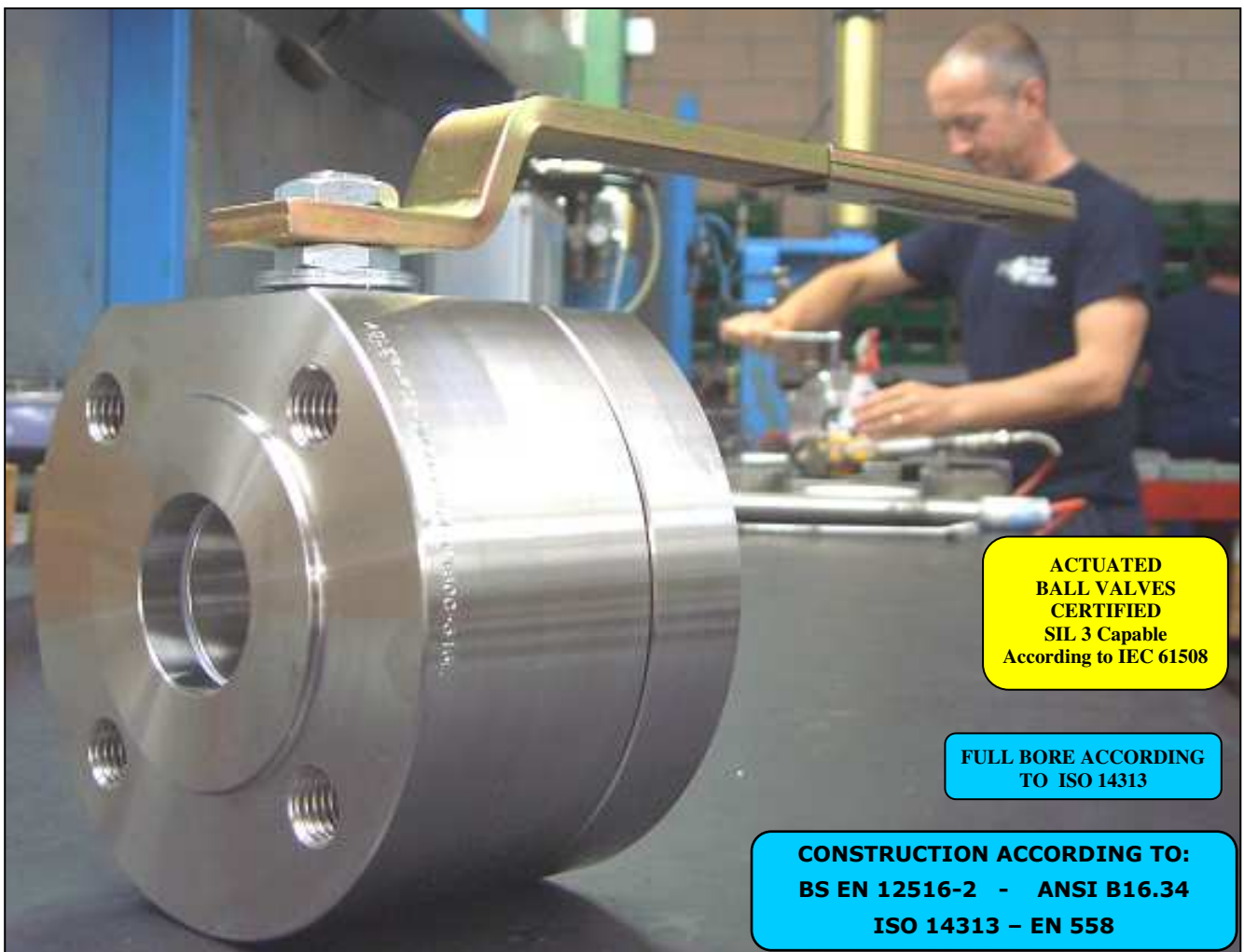


ISO 9001 by L.R.  
PED DIR. 2014/68/UE by L.R.  
ATEX DIR. 2014/34/UE by B.V.  
FIRE SAFE EXECUTION BS6755/API 607 by L.R.  
FIRE SAFE TESTED ISO 10497 by L.R.  
ISO 15848 by TÜV  
ANTISTATIC DEVICE by L.R.  
EAC CERTIFICATION by B.V.

TYPE  
**FC2**  
PN 63 ÷ 100 ÷ 160  
ANSI 600/900/1500

NORME E DIRETTIVE APPLICATE DISPONIBILI AL SEGUENTE LINK:  
STANDARD AND DIRECTIVE APPLIED AVAILABLE AT FOLLOWING LINK:  
[http://www.adlerspa.com/pdf/NORME\\_ADLER.pdf](http://www.adlerspa.com/pdf/NORME_ADLER.pdf)

## VALVOLE A SFERA "CORPO PIATTO" SPLIT BODY PASSAGGIO TOTALE



ACTUATED  
BALL VALVES  
CERTIFIED  
SIL 3 Capable  
According to IEC 61508

FULL BORE ACCORDING  
TO ISO 14313

CONSTRUCTION ACCORDING TO:  
BS EN 12516-2 - ANSI B16.34  
ISO 14313 - EN 558

**BALL VALVES**  
**"WAFER TYPE" FULL BORE SPLIT BODY**  
**ROBINETS A BOISSEAU SPHERIQUE**  
**"WAFER" PASSAGE INTEGRAL 2 PIECES**  
**FLANSCHKUGELHÄHNE IN "KOMPAKTBAUWEISE"**  
**VOLLER DURCHGANG ZWEITEILIGES GEHÄUSE**

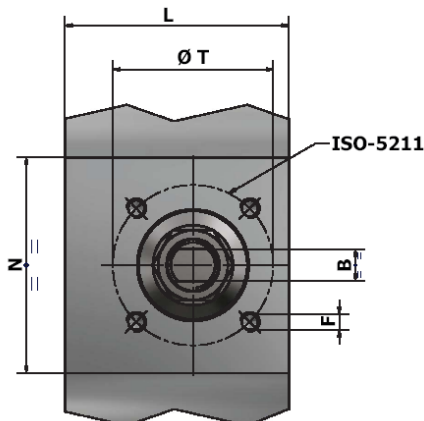
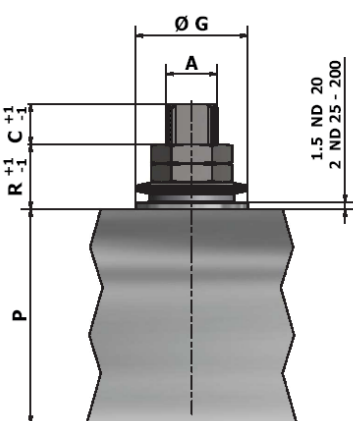
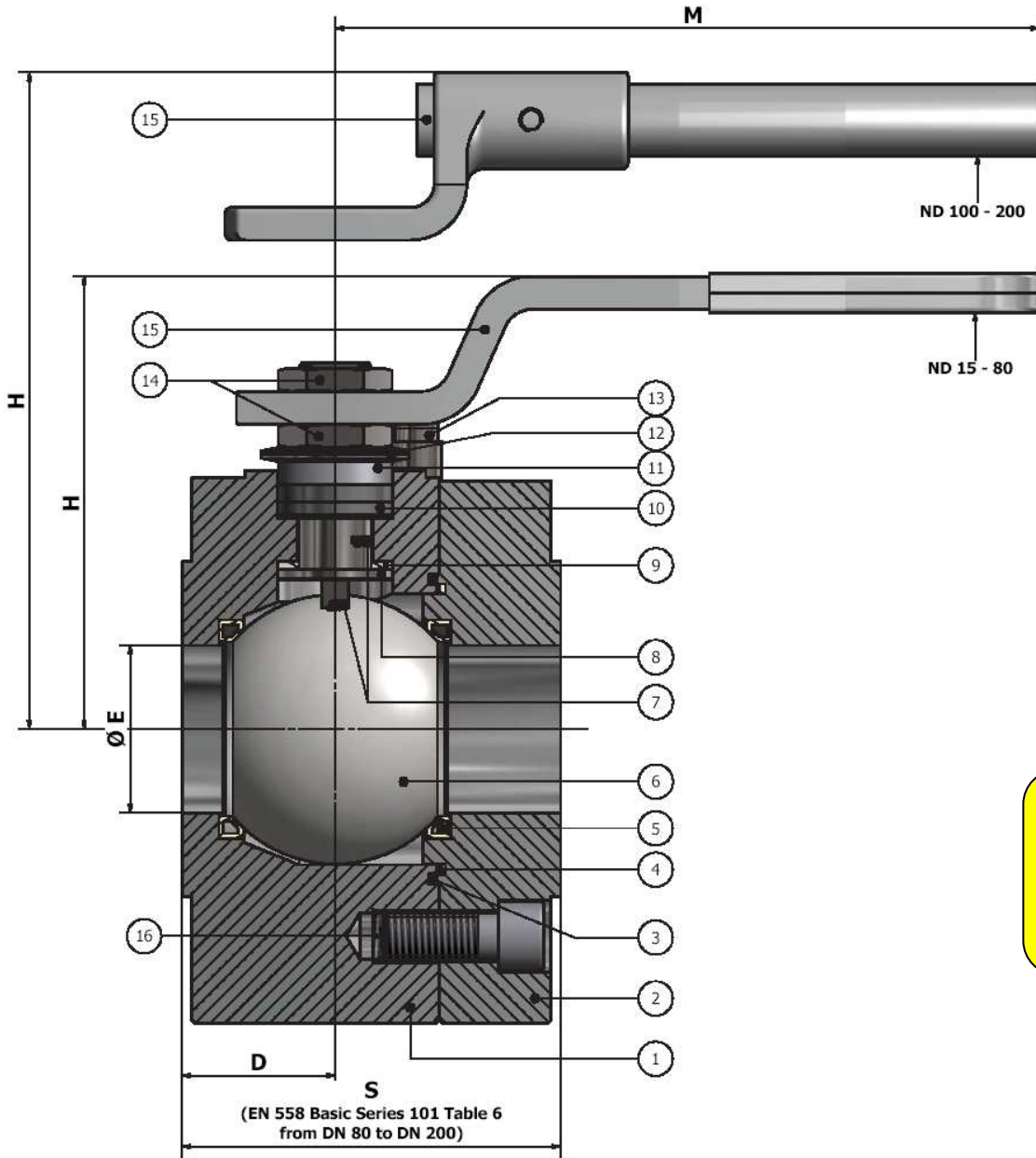
WEB SITE: [WWW.ADLERSPA.COM](http://WWW.ADLERSPA.COM)



ISO 9001 by L.R.  
 PED DIR. 2014/68/UE by L.R.  
 ATEX DIR. 2014/34/UE by B.V.  
 FIRE SAFE EXECUTION BS6755/API 607 by L.R.  
 FIRE SAFE TESTED ISO 10497 by L.R.  
 ISO 15848 by TÜV  
 ANTISTATIC DEVICE by L.R.  
 EAC CERTIFICATION by B.V.

TYPE  
**FC2**  
 PN 63 ÷ 100 ÷ 160  
 ANSI 600/900/1500

VALVOLA A SFERA "CORPO PIATTO" SPLIT BODY PASSAGGIO TOTALE  
 BALL VALVES "WAFER TYPE" SPLIT BODY FULL BORE  
 ROBINETS A BOISSEAU SPHERIQUE "WAFER" PASSAGE INTEGRAL 2 PIECES  
 FLANSCHKUGELHÄHNE IN "KOMPAKTBAUWEISE" VOLLER DURCHGANG ZWEITEILIGES GEHÄUSE



**VISUALIZZA 3D  
 VIEW 3D**

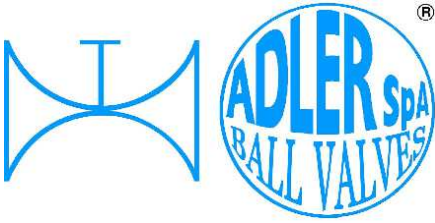
<https://adlerspa.com/prodotti/fc2>

**FLANGE DIMENSIONS**  
 according to  
**EN 1092-1 or ANSI B16.5**  
 see table

<https://adlerspa.com/wp-content/uploads/2023/11/Tabella-dimensioni-flange-valvole-Adler.pdf>

**DN 150 ÷ 200**

- CONSIGLIATO RIDUTTORE MANUALE
- MANUAL GEAR BOX SUGGESTED
- REDUCTEUR MANUEL CONSEILLE
- EMPFEHLEN WIR EIN HANDGETRIEBE



ISO 9001 by L.R.  
 PED DIR. 2014/68/UE by L.R.  
 ATEX DIR. 2014/34/UE by B.V.  
 FIRE SAFE EXECUTION BS6755/API 607 by L.R.  
 FIRE SAFE TESTED ISO 10497 by L.R.  
 ISO 15848 by TÜV  
 ANTISTATIC DEVICE by L.R.  
 EAC CERTIFICATION by B.V.

TYPE  
**FC2**  
 PN 63 ÷ 100 ÷ 160  
 ANSI 600/900/1500

N.	DESCRIZIONE DESCRIPTION BESCHREIBUNG	MATERIALI MATERIALS MATERIAUX WERKSTOFFE
1	CORPO BODY CORPS MITTE	ASTM A105 ASTM A479 304/304L ASTM A479 316/316L
2	LATERALE END LATERAL ENDE	ASTM A105 ASTM A479 304/304L ASTM A479 316/316L
3*	O-RING	FKM - (VITON)
4*	ANELLO SEAL ANNEAU DICHTUNGSRING	P.T.F.E.
5*	SEDE RINFORZATA SEAT REINFORCED SIEGE RENFORCEE SITZRING VERSTÄRKT	P.T.F.E. / STAINLESS STEEL
6	SFERA BALL BOULE KUGEL	ASTM A479 304/304L ASTM A351 CF8 ASTM A479 316/316L ASTM A351 CF8M DN ≤ 10
7	DISPOSITIVO ANTISTATICO ANTISTATIC DEVICE CONTACT ANTISTATIQUE ANTISTATIK VORRICHTUNG	ASTM A479 316/316L
8	STELO STEM TIGE SPINDEL	ASTM A479 304/304L ASTM A479 316/316L

N.	DESCRIZIONE DESCRIPTION BESCHREIBUNG	MATERIALI MATERIALS MATERIAUX WERKSTOFFE
9*	BUSSOLA STEM SEAL JOINT TIGE UNTERE SPINDELABDICHTUNG	P.T.F.E.
10*	PACCO A "V" CHEVRON RINGS JOINT A "V" 3 FACHE DACHMANSCHETTE	P.T.F.E. / GRAFITE P.T.F.E. / GRAPHITE P.T.F.E. / GRAPHITE P.T.F.E. / GRAPHIT
11	PREMIBUSSOLA PRESSING BUSH PRESSE RONDELLE STOPFBUCHSDRUCKRING	ASTM A479 304
12	MOLLE A TAZZA SPRING WASHERS RONDELLES BELLEVILLE TELLERFEDERN	C72/50Cr V4 ZINCATO - GALVANIZED - ZINGUE - VERZINKT X10CrNi18.8 ON REQUEST
13	VITE DI FERMO E FERMO PIN AND STOP PIN PLOINT ET PLOT D'ARRET ANSCHLAGBOLZEN	UNI3740 8.8 ZINCATO - GALVANIZED - ZINGUE - VERZINKT UNI 3951 A2-70 ON REQUEST
14	DADO - CONTRODADO NUT - LOCK NUT ECROU - CONTRE-ECROU MUTTER - KONTERMUTTER	UNI 3740 - ZINCATO - GALVANIZED - 6S ZINGUE - VERZINKT ASTM A479 ON REQUEST 304
15	LEVA WRENCH LEVIER HANDHEBEL	AISI 1010 GALVANIZED AND PAINTED FOR S.S. VALVES ASTM A479 PAINTED FOR C.S. VALVES 304 ON REQUEST
16	VITE SCREW VIST SCHRAUBE	UNI 3740 8.8 ZINCATO - GALVANIZED - ZINGUE - VERZINKT UNI 3951 A2-70 ON REQUEST

\* RICAMBI CONSIGLIATI - RECOMMENDED SPARE PARTS - PIECES DE RECHANGE CONSEILLEES - ERSATZTEIL EMPFEHLUNG

ON REQUEST P.T.F.E. AVAILABLE CERTIFIED BAM, FDA, MOCA

## DIMENSIONI - DIMENSION - DIMENSIONS - ABMESSUNGEN

DN	10	15	20	25	32	40	50	65	80	100	125	150	200
A		12	12	16		22	22	30	30	42	42	48	56
B		8	8	10		14	14	18	18	28	28	32	36
C		10	10	10		12	12	17	17	19	19	20	20
D		23,5	24	29,5		37,5	46,5	60	70	91	100	140	165
E		15	19	25		38	51	64	76	101	118	152	203
F		M5	M5	M6		M8	M8	M8	M8	M12	M12	M16	M20
ISO		F03	F03	F05		F07	F07	F07	F07	F12	F12	F14	F16
G		25	25	35		55	55	55	55	85	85	100	130
H		78	80	101		129	139	163	172	225	239	265	307
L		38	39	50,5		65,5	74	88	101	145	155	215,5	276
M		185	185	280		370	370	470	470	750	750	900	1000
N		68	96	97		104	92	82	93	105	128	129	148
P		37	43.5	50		67	76.5	94	97	113	133	160	196.5
R		12	8	16		24	24	21	27	34	28	31	32
PxR		38x12	43,5x8	50x16		67x24	76,5x24	101x14	104x20	118x29	139x22	166,5x24	/
PxR		36x14	43,5x8	46,6x20		67x24	76,5x24	92x23	97x27	120x27	146x15	166,5x24	/
S		68	72	87		107	115	135	150	190	220	280	330
T		36	36	50		70	70	70	70	125	125	140	165
~Kg		2,8	4,5	6,1		11,5	14,5	22	26,5	49	83	140	215

- DATI E CARATTERISTICHE SOGGETTI A VARIAZIONI SENZA PREAVVISO
- SPECIFICATIONS SUBJECT TO MODIFICATIONS WITHOUT PRIOR NOTICE
- TOUS DROITS DE MODIFICATION RESERVES
- KONSTRUKTIONSÄNDERUNGEN VORBEHALTEN

DN 15÷40 OPTIONAL

PN 63

ANSI 600

PN 100÷ 160



ADLER SpA - BALL VALVES  
 20010 S. STEFANO TICINO (MI) ITALY V.le BORLETTI, 14 Tel. +39/02974842.11 FAX +39/0297271698  
 E-mail: [adler@adlerspa.com](mailto:adler@adlerspa.com) <http://www.adlerspa.com>



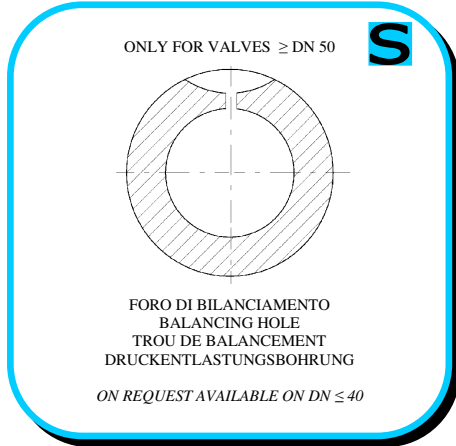
ISO 9001 by L.R.  
 PED DIR. 2014/68/UE by L.R.  
 ATEX DIR. 2014/34/UE by B.V.  
 FIRE SAFE EXECUTION BS6755/API 607 by L.R.  
 FIRE SAFE TESTED ISO 10497 by L.R.  
 ISO 15848 by TÜV  
 ANTISTATIC DEVICE by L.R.  
 EAC CERTIFICATION by B.V.

TYPE  
**FC2**  
 PN 63 ÷ 100 ÷ 160  
 ANSI 600/900/1500

• ESECUZIONI • EXECUTIONS • EXECUTIONS • AUSFÜHRUNGEN



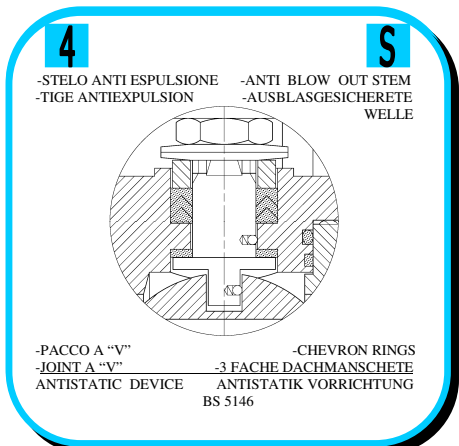
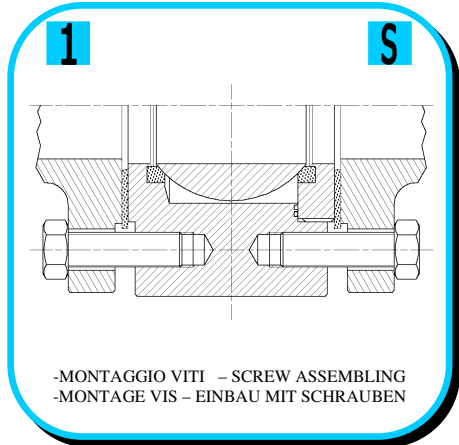
EXECUTION 4- 12



EXECUTION 6 - 16

**S** STANDARD

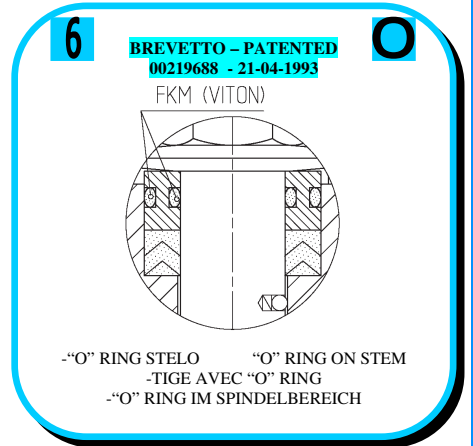
**O** OPTIONAL

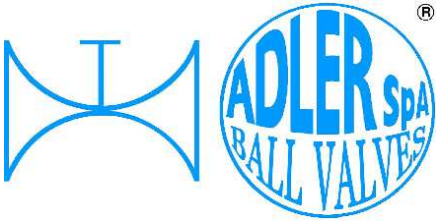


**ADLER**

UNA GAMMA COMPLETA  
 PRIVILEGIANDO LA QUALITA'

A COMPLETE RANGE PRIVILEGING  
 THE QUALITY





ISO 9001 by L.R.  
 PED DIR. 2014/68/UE by L.R.  
 ATEX DIR. 2014/34/UE by B.V.  
 FIRE SAFE EXECUTION BS6755/API 607 by L.R.  
 FIRE SAFE TESTED ISO 10497 by L.R.  
 ISO 15848 by TÜV  
 ANTISTATIC DEVICE by L.R.  
 EAC CERTIFICATION by B.V.

TYPE  
**FC2**  
 PN 63 ÷ 100 ÷ 160  
 ANSI 600/900/1500

**7** **O**

-PROLUNGA STELO -STEM EXTENSION  
 -TIGE PROLONGEE -SPINDELVERLÄNGERUNG

**8** **O**

-PARTICOLARI INOX  
 -STAINLESS STEEL DETAILS  
 -ACCESSOIRES EN INOX  
 -EDELSTAHLTEILE

**9** **S**

-ATTACCO "ISO" -"ISO" CONNECTIONS  
 -SYSTEM "ISO" -ANSCHLUSS "ISO"

**10** **S**

-SFERA CONTENUTA -CONTENTS BALL  
 -BOULE CONTENUE  
 -NICHT RAUSRAGENDE KUGEL

**GEAR BOX  
 AG series**

**12** **O**

FIRE SAFE  
 ISO 10497 "ISO-FT"  
 (BS 6755 / API 607)

**13** **S**

**BREVETTO - PATENTED  
 00219619**

-DOPPIA TENUTA -DOUBLE SEALS  
 -DOUBLE ETANCHEITE -DOPPELTE ABDICHTUNG  
 -GHIERA A BATTUTA -METAL BEATING RING  
 -EMBOUT AVEC BATTUE MECANIQUE  
 -METALLISCHER ANSCHLAG DES  
 GEWINDEDRUCKRINGS

**14** **O**

VEDERE / SEE ANSI B16.34

FLUSSO  
 FLOW

-FORO DI SCARICO NELLA SFERA  
 -OVERPRESSURE HOLE INTO BALL  
 -TROU DECOMPRESSION DANS LA BOULE  
 -ENTLASTUNGSBOHRUNG IN DER KUGEL  
 VALVOLA MONO DIREZIONALE  
 MONO-DIRECTIONAL VALVE

**ADLER**

UNA GAMMA COMPLETA  
 PRIVILEGIANDO LA QUALITA'

A COMPLETE RANGE PRIVILEGING  
 THE QUALITY

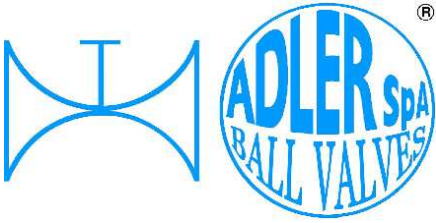
**16** **O**

-FIRE SAFE ISO FT+ "O" RING STELO  
 -FIRE SAFE ISO FT+ "O" RING ON STEM  
 -SECURITE FEU ISO FT+ TIGE AVEC "O" RING  
 -FEUERSICHERE AUSFÜHRUNG ISO FT+  
 "O" RING IM SPINDELBEREICH

**17** **O**

-TENUTA INTEGRALE METALLICA  
 -METALLIC POCKET LESS SEATS  
 -TENUUE INTEGRALE MATTALIQUE  
 -TOTRAUMARM METALLISCHES

**DESIGN CHECK**



ISO 9001 by L.R.  
 PED DIR. 2014/68/UE by L.R.  
 ATEX DIR. 2014/34/UE by B.V.  
 FIRE SAFE EXECUTION BS6755/API 607 by L.R.  
 FIRE SAFE TESTED ISO 10497 by L.R.  
 ISO 15848 by TÜV  
 ANTISTATIC DEVICE by L.R.  
 EAC CERTIFICATION by B.V.

TYPE  
**FC2**  
 PN 63 ÷ 100 ÷ 160  
 ANSI 600/900/1500

VITI D'ASSEMBLAGGIO PER FC2 - ASSEMBLING SCREWS FOR FC2 - VIS D'ASSEMBLAGE POUR FC2- MONTAGESCHRAUBEN FÜR FC2  
 N° VITI – DIMENSIONE • N° SCREW – DIMENSIONS • N° VIS- DIMENSIONS • N° SCHRAUBEN-ABMESSUNGEN

## EUROPEAN NORM

DN PN	15	20	25	32	40	50	65	80	100	125	150	200
63	8 M12 X35	8 M16 X40	8 M16 X45		8 M20 X50	8 M20 X50	16 M20 X50	16 M20 X55	16 M24 X60	16 M27 X65	16 M30 X70	24 M33 X80
100	8 M12 X35	8 M16 X40	8 M16 X45		8 M20 X50	8 M24 X55	16 M24 X60	16 M24 X60	16 M27 X70	16 M30 X75	24 M30 X80	
160	8 M12 X35	8 M16 X40	8 M16 X45		8 M20 X50	8 M24 X60	16 M24 X60	16 M24 X65	16 M27 X70	16 M30 X80	24 M30 X85	

## ANSI METRIC

(STANDARD ADLER)

Ø Rating	1/2"	3/4"	1"	1 1/4"	1 1/2"	2"	2 1/2"	3"	4"	5"	6"	8"
600	8 M14 X45	8 M16 X45	8 M16 X50		8 M20 X55	16 M16 X55	16 M20 X60	16 M20 X65	16 M24 X75	16 M27 X85	24 M27 X90	

## ANSI B1.1 UNC

(ON REQUEST)

Ø Rating	1/2"	3/4"	1"	1 1/4"	1 1/2"	2"	2 1/2"	3"	4"	5"	6"	8"
600	8 1/2 X 1 3/4	8 5/8 X 1 3/4	8 5/8 X 2		8 3/4 X 2 1/4	16 5/8 X 2 1/4	16 3/4 X 2 1/2	16 3/4 X 2 1/2	16 7/8 X 3	16 1 X 3 1/2	24 1 X 3 1/2	

Length of screws calculated considering a gasket with thickness of 2mm.

