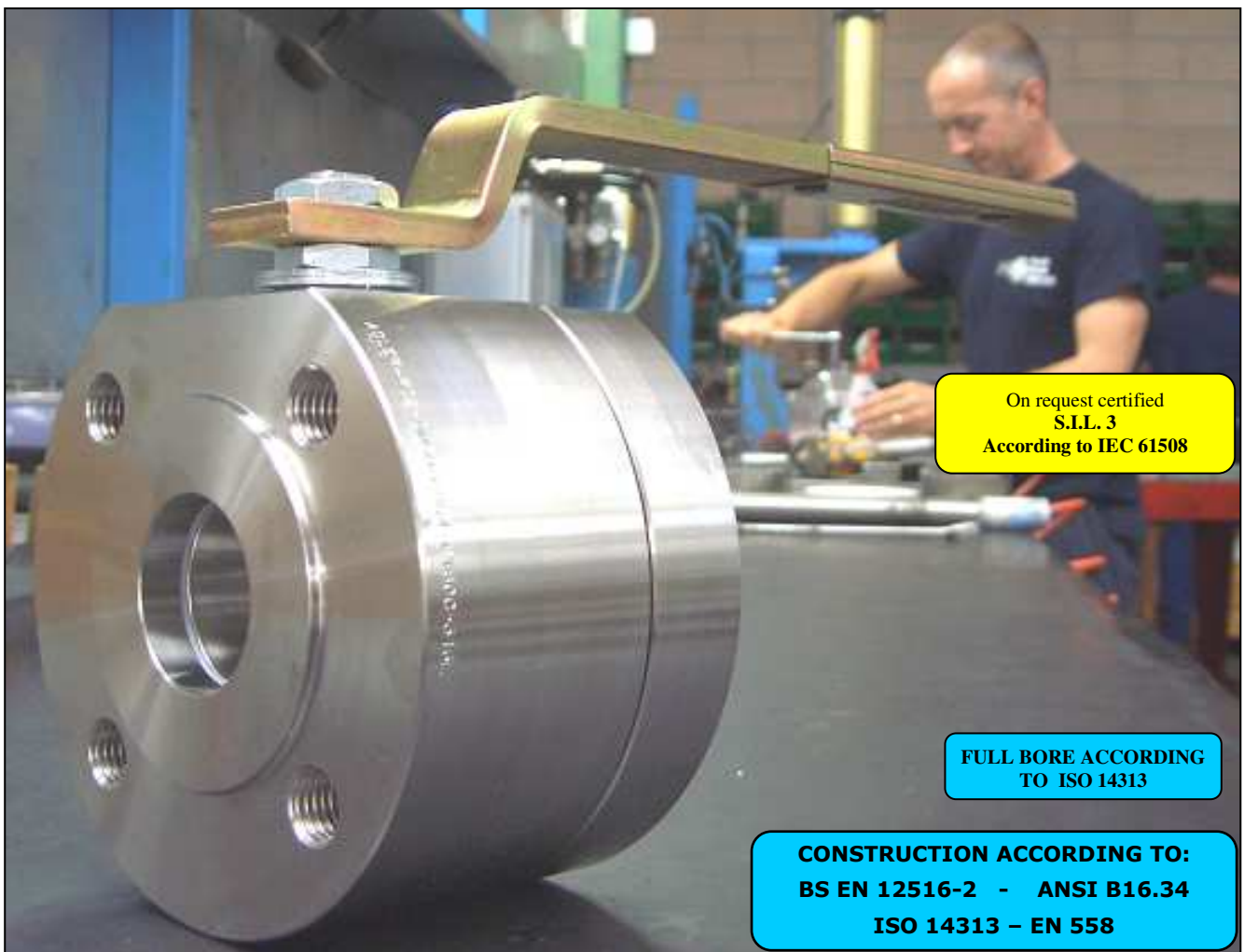


ISO 9001 by L.R.
PED DIR. 2014/68/UE by L.R.
ATEX DIR. 2014/34/UE by B.V.
FIRE SAFE EXECUTION BS6755/API 607 by L.R.
FIRE SAFE TESTED ISO 10497 by L.R.
ISO 15848 by TÜV
ANTISTATIC DEVICE by L.R.
EAC CERTIFICATION by B.V.

TYPE
FC2
PN 63 ÷ 100 ÷ 160
ANSI 600/900/1500

NORME E DIRETTIVE APPLICATE DISPONIBILI AL SEGUENTE LINK:
STANDARD AND DIRECTIVE APPLIED AVAILABLE AT FOLLOWING LINK:
http://www.adlerspa.com/pdf/NORME_ADLER.pdf

VALVOLE A SFERA "CORPO PIATTO" SPLIT BODY PASSAGGIO TOTALE



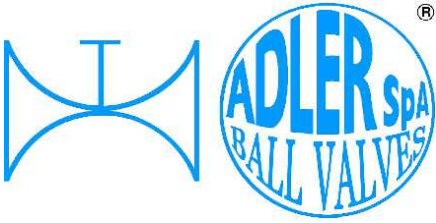
On request certified
S.I.L. 3
According to IEC 61508

FULL BORE ACCORDING
TO ISO 14313

CONSTRUCTION ACCORDING TO:
BS EN 12516-2 - ANSI B16.34
ISO 14313 - EN 558

BALL VALVES
"WAFER TYPE" FULL BORE SPLIT BODY
ROBINETS A BOISSEAU SPHERIQUE
"WAFER" PASSAGE INTEGRAL 2 PIECES
FLANSCHKUGELHÄHNE IN "KOMPAKTBAUWEISE"
VOLLER DURCHGANG ZWEITEILIGES GEHÄUSE

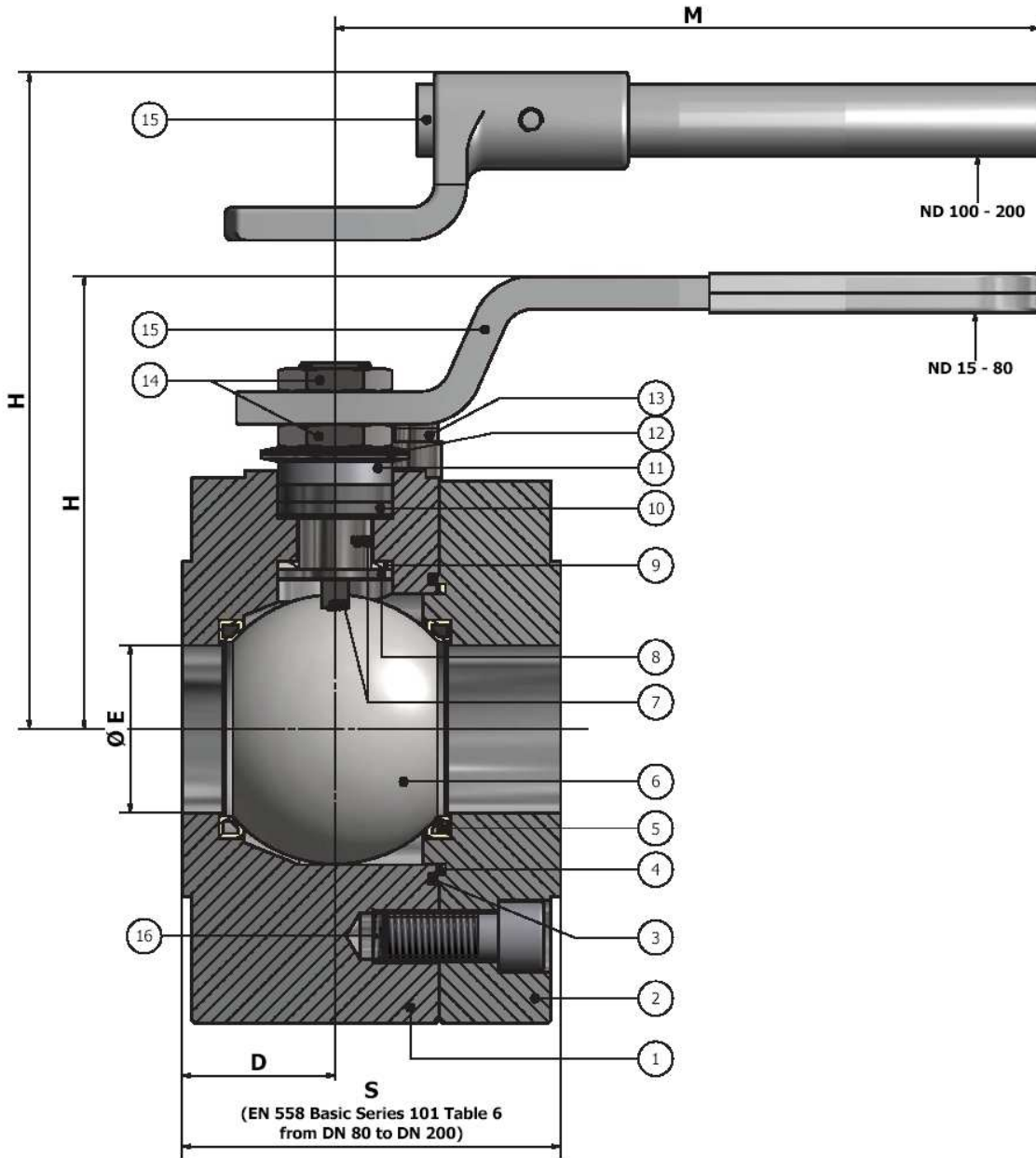
WEB SITE: WWW.ADLERSPA.COM



ISO 9001 by L.R.
 PED DIR. 2014/68/UE by L.R.
 ATEX DIR. 2014/34/UE by B.V.
 FIRE SAFE EXECUTION BS6755/API 607 by L.R.
 FIRE SAFE TESTED ISO 10497 by L.R.
 ISO 15848 by TÜV
 ANTISTATIC DEVICE by L.R.
 EAC CERTIFICATION by B.V.

TYPE
FC2
 PN 63 ÷ 100 ÷ 160
 ANSI 600/900/1500

VALVOLA A SFERA "CORPO PIATTO" SPLIT BODY PASSAGGIO TOTALE
 BALL VALVES "WAFER TYPE" SPLIT BODY FULL BORE
 ROBINETS A BOISSEAU SPHERIQUE "WAFER" PASSAGE INTEGRAL 2 PIECES
 FLANSCHKUGELHÄHNE IN "KOMPAKTBAUWEISE" VOLLER DURCHGANG ZWEITEILIGES GEHÄUSE

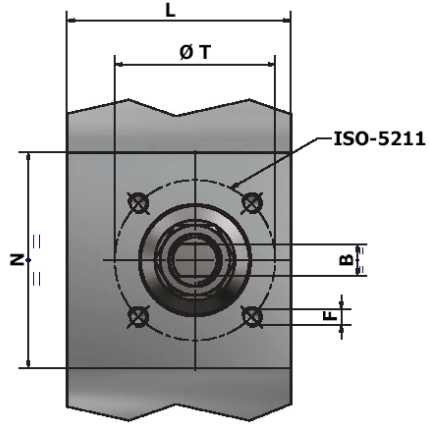
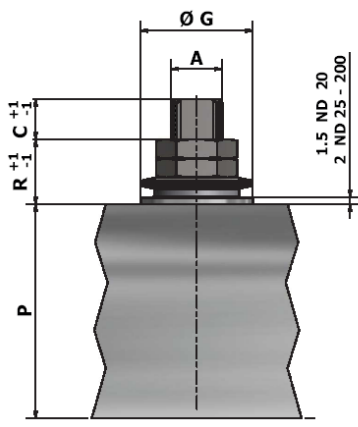


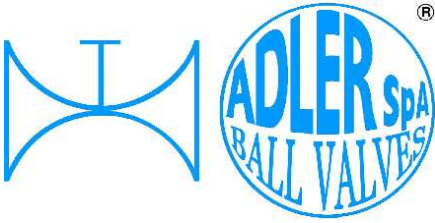
**VISUALIZZA 3D
 VIEW 3D**

<https://adlerspa.com/prodotti/fc2>

DN 150 ÷ 200

- CONSIGLIATO RIDUTTORE MANUALE
- MANUAL GEAR BOX SUGGESTED
- REDUCTEUR MANUEL CONSEILLE
- EMPFEHLEN WIR EIN HANDGETRIEBE





ISO 9001 by L.R.
 PED DIR. 2014/68/UE by L.R.
 ATEX DIR. 2014/34/UE by B.V.
 FIRE SAFE EXECUTION BS6755/API 607 by L.R.
 FIRE SAFE TESTED ISO 10497 by L.R.
 ISO 15848 by TÜV
 ANTISTATIC DEVICE by L.R.
 EAC CERTIFICATION by B.V.

TYPE
FC2
 PN 63 ÷ 100 ÷ 160
 ANSI 600/900/1500

| N. | DESCRIZIONE DESCRIPTION BESCHREIBUNG | MATERIALI MATERIALS MATERIAUX WERKSTOFFE |
|----|--|---|
| 1 | CORPO BODY CORPS MITTE | ASTM A105 ASTM A479 304/304L ASTM A479 316/316L |
| 2 | LATERALE END LATERAL ENDE | ASTM A105 ASTM A479 304/304L ASTM A479 316/316L |
| 3* | O-RING | FKM - (VITON) |
| 4* | ANELLO SEAL ANNEAU DICHTUNGSRING | P.T.F.E. |
| 5* | SEDE RINFORZATA SEAT REINFORCED SIEGE RENFORCEE SITZRING VERSTÄRKT | P.T.F.E. / STAINLESS STEEL |
| 6 | SFERA BALL BOULE KUGEL | ASTM A479 304/304L ASTM A351 CF8 ASTM A479 316/316L ASTM A351 CF8M DN ≤ 10 |
| 7 | DISPOSITIVO ANTISTATICO ANTISTATIC DEVICE CONTACT ANTISTATIQUE ANTISTATIK VORRICHTUNG | ASTM A479 316/316L |
| 8 | STELO STEM TIGE SPINDEL | ASTM A479 304/304L ASTM A479 316/316L |

| N. | DESCRIZIONE DESCRIPTION BESCHREIBUNG | MATERIALI MATERIALS MATERIAUX WERKSTOFFE |
|-----|---|---|
| 9* | BUSSOLA STEM SEAL JOINT TIGE UNTERE SPINDELABDICHTUNG | P.T.F.E. |
| 10* | PACCO A "V" CHEVRON RINGS JOINT A "V" 3 FACHE DACHMANSCHETTE | P.T.F.E. / GRAFITE P.T.F.E. / GRAPHITE P.T.F.E. / GRAPHITE P.T.F.E. / GRAPHIT |
| 11 | PREMIBUSSOLA PRESSING BUSH PRESSE RONDELLE STOPFBUCHSDRUCKRING | ASTM A479 304 |
| 12 | MOLLE A TAZZA SPRING WASHERS RONDELLES BELLEVILLE TELLERFEDERN | C72/50Cr V4 ZINCATO - GALVANIZED - ZINGUE - VERZINKT X10CrNi18.8 ON REQUEST |
| 13 | VITE DI FERMO E FERMO PIN AND STOP PIN PLOINT ET PLOT D'ARRET ANSCHLAGBOLZEN | UNI3740 8.8 ZINCATO - GALVANIZED - ZINGUE - VERZINKT UNI 3951 A2-70 ON REQUEST |
| 14 | DADO - CONTRODADO NUT - LOCK NUT ECROU - CONTRE-ECROU MUTTER - KONTERMUTTER | UNI 3740 - ZINCATO - GALVANIZED - 6S ZINGUE - VERZINKT ASTM A479 ON REQUEST 304 |
| 15 | LEVA WRENCH LEVIER HANDHEBEL | AISI 1010 CHROMED FOR S.S. VALVES PAINTED FOR C.S. VALVES ASTM A479 ON REQUEST 304 |
| 16 | VITE SCREW VIST SCHRAUBE | UNI 3740 8.8 ZINCATO - GALVANIZED - ZINGUE - VERZINKT UNI 3951 ON REQUEST A2-70 |

* RICAMBI CONSIGLIATI - RECOMMENDED SPARE PARTS - PIECES DE RECHANGE CONSEILLEES - ERSATZTEIL EMPFEHLUNG

ON REQUEST P.T.F.E. AVAILABLE CERTIFIED BAM, FDA, MOCA

DIMENSIONI - DIMENSION - DIMENSIONS - ABMESSUNGEN

| DN | 10 | 15 | 20 | 25 | 32 | 40 | 50 | 65 | 80 | 100 | 125 | 150 | 200 |
|-----|----|-------|--------|---------|----|-------|---------|--------|--------|--------|--------|----------|-------|
| A | | 12 | 12 | 16 | | 22 | 22 | 30 | 30 | 42 | 42 | 48 | 56 |
| B | | 8 | 8 | 10 | | 14 | 14 | 18 | 18 | 28 | 28 | 32 | 36 |
| C | | 10 | 10 | 10 | | 12 | 12 | 17 | 17 | 19 | 19 | 20 | 20 |
| D | | 23,5 | 24 | 29,5 | | 37,5 | 46,5 | 60 | 70 | 91 | 100 | 140 | 165 |
| E | | 15 | 19 | 25 | | 38 | 51 | 64 | 76 | 101 | 118 | 152 | 203 |
| F | | M5 | M5 | M6 | | M8 | M8 | M8 | M8 | M12 | M12 | M16 | M20 |
| ISO | | F03 | F03 | F05 | | F07 | F07 | F07 | F07 | F12 | F12 | F14 | F16 |
| G | | 25 | 25 | 35 | | 55 | 55 | 55 | 55 | 85 | 85 | 100 | 130 |
| H | | 78 | 80 | 101 | | 129 | 139 | 163 | 172 | 225 | 239 | 265 | 307 |
| L | | 38 | 39 | 50,5 | | 65,5 | 74 | 88 | 101 | 145 | 155 | 215,5 | 276 |
| M | | 185 | 185 | 280 | | 370 | 370 | 470 | 470 | 750 | 750 | 900 | 1000 |
| N | | 68 | 96 | 97 | | 104 | 92 | 82 | 93 | 105 | 128 | 129 | 148 |
| P | | 37 | 43.5 | 50 | | 67 | 76.5 | 94 | 97 | 113 | 133 | 160 | 196.5 |
| R | | 12 | 8 | 16 | | 24 | 24 | 21 | 27 | 34 | 28 | 31 | 32 |
| PxR | | 38x12 | 43,5x8 | 50x16 | | 67x24 | 76,5x24 | 101x14 | 104x20 | 118x29 | 139x22 | 166,5x24 | / |
| PxR | | 36x14 | 43,5x8 | 46,6x20 | | 67x24 | 76,5x24 | 92x23 | 97x27 | 120x27 | 146x15 | 166,5x24 | / |
| S | | 68 | 72 | 87 | | 107 | 115 | 135 | 150 | 190 | 220 | 280 | 330 |
| T | | 36 | 36 | 50 | | 70 | 70 | 70 | 70 | 125 | 125 | 140 | 165 |
| ~Kg | | 2,8 | 4,5 | 6,1 | | 11,5 | 14,5 | 22 | 26,5 | 49 | 83 | 140 | 215 |

- DATI E CARATTERISTICHE SOGGETTI A VARIAZIONI SENZA PREAVVISO
- SPECIFICATIONS SUBJECT TO MODIFICATIONS WITHOUT PRIOR NOTICE
- TOUS DROITS DE MODIFICATION RESERVES
- KONSTRUKTIONSÄNDERUNGEN VORBEHALTEN



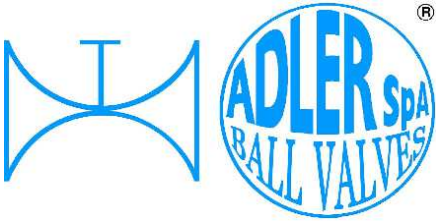
ADLER SpA - BALL VALVES
 20010 S. STEFANO TICINO (MI) ITALY V.le BORLETTI, 14 Tel. +39/02974842.11 FAX +39/0297271698
 E-mail: adler@adlerspa.com <http://www.adlerspa.com>

DN 15÷40 OPTIONAL

PN 63

ANSI 600

PN 100 ÷ 160



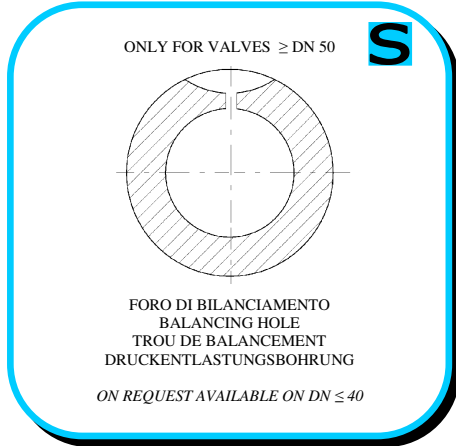
ISO 9001 by L.R.
 PED DIR. 2014/68/UE by L.R.
 ATEX DIR. 2014/34/UE by B.V.
 FIRE SAFE EXECUTION BS6755/API 607 by L.R.
 FIRE SAFE TESTED ISO 10497 by L.R.
 ISO 15848 by TÜV
 ANTISTATIC DEVICE by L.R.
 EAC CERTIFICATION by B.V.

TYPE
FC2
 PN 63 ÷ 100 ÷ 160
 ANSI 600/900/1500

• ESECUZIONI • EXECUTIONS • EXECUTIONS • AUSFÜHRUNGEN



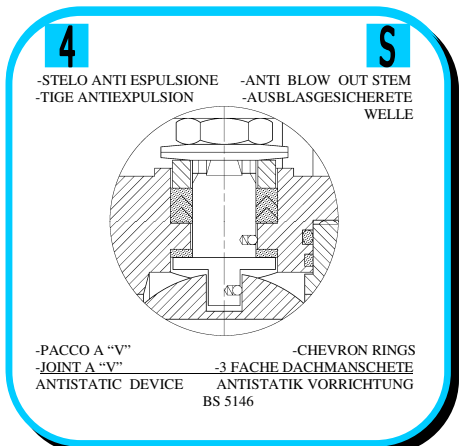
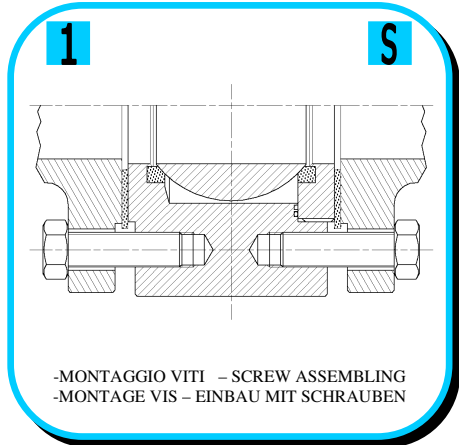
EXECUTION 4- 12



EXECUTION 6 - 16

S STANDARD

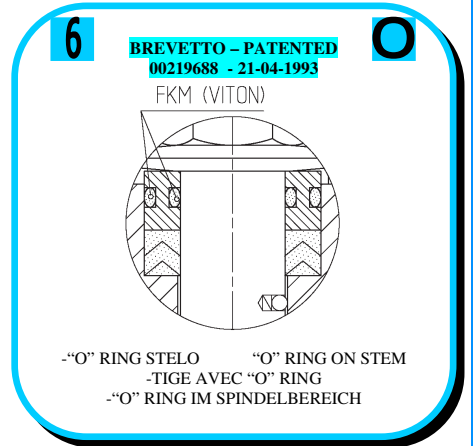
O OPTIONAL

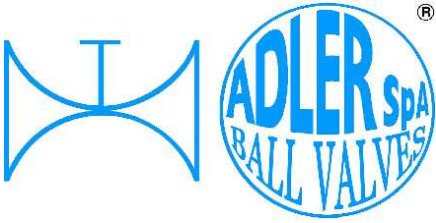


ADLER

UNA GAMMA COMPLETA
 PRIVILEGIANDO LA QUALITA'

A COMPLETE RANGE PRIVILEGING
 THE QUALITY





ISO 9001 by L.R.
 PED DIR. 2014/68/UE by L.R.
 ATEX DIR. 2014/34/UE by B.V.
 FIRE SAFE EXECUTION BS6755/API 607 by L.R.
 FIRE SAFE TESTED ISO 10497 by L.R.
 ISO 15848 by TÜV
 ANTISTATIC DEVICE by L.R.
 EAC CERTIFICATION by B.V.

TYPE
FC2
 PN 63 ÷ 100 ÷ 160
 ANSI 600/900/1500

7 **O**

-PROLUNGA STELO -STEM EXTENSION
 -TIGE PROLONGEE -SPINDELVERLÄNGERUNG

8 **O**

-PARTICOLARI INOX
 -STAINLESS STEEL DETAILS
 -ACCESSOIRES EN INOX
 -EDELSTAHLTEILE

9 **S**

-ATTACCO "ISO" -"ISO" CONNECTIONS
 -SYSTEM "ISO" -ANSCHLUSS "ISO"

10 **S**

-SFERA CONTENUTA -CONTENTS BALL
 -BOULE CONTENUE
 -NICHT RAUSRAGENDE KUGEL

**GEAR BOX
 AG series**

12 **O**

FIRE SAFE
 ISO 10497 "ISO-FT"
 (BS 6755 / API 607)

13 **S**

**BREVETTO - PATENTED
 00219619**

-DOPPIA TENUTA -DOUBLE SEALS
 -DOUBLE ETANCHEITE -DOPPELTE ABDICHTUNG
 -GHIERA A BATTUTA -METAL BEATING RING
 -EMBOUT AVEC BATTUE MECANIQUE
 -METALLISCHER ANSCHLAG DES
 GEWINDEDRUCKRINGS

14 **O**

VEDERE / SEE ANSI B16.34

FLUSSO
 FLOW

-FORO DI SCARICO NELLA SFERA
 -OVERPRESSURE HOLE INTO BALL
 -TROU DECOMPRESSION DANS LA BOULE
 -ENTLASTUNGSBOHRUNG IN DER KUGEL
 VALVOLA MONO DIREZIONALE
 MONO-DIRECTIONAL VALVE

ADLER

UNA GAMMA COMPLETA
 PRIVILEGIANDO LA QUALITA'

A COMPLETE RANGE PRIVILEGING
 THE QUALITY

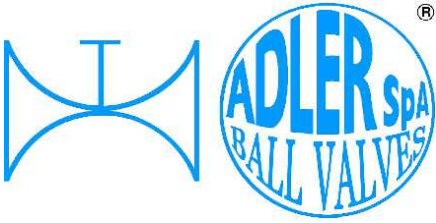
16 **O**

-FIRE SAFE ISO FT+ "O" RING STELO
 -FIRE SAFE ISO FT+ "O" RING ON STEM
 -SECURITE FEU ISO FT+ TIGE AVEC "O" RING
 -FEUERSICHERE AUSFÜHRUNG ISO FT+
 "O" RING IM SPINDELBEREICH

17 **O**

-TENUTA INTEGRALE METALLICA
 -METALLIC POCKET LESS SEATS
 -TENUUE INTEGRALE MATTALIQUE
 -TOTRAUMARM METALLISCHES

DESIGN CHECK



ISO 9001 by L.R.
 PED DIR. 2014/68/UE by L.R.
 ATEX DIR. 2014/34/UE by B.V.
 FIRE SAFE EXECUTION BS6755/API 607 by L.R.
 FIRE SAFE TESTED ISO 10497 by L.R.
 ISO 15848 by TÜV
 ANTISTATIC DEVICE by L.R.
 EAC CERTIFICATION by B.V.

TYPE
FC2
 PN 63 ÷ 100 ÷ 160
 ANSI 600/900/1500

VITI D'ASSEMBLAGGIO PER FC2 - ASSEMBLING SCREWS FOR FC2 - VIS D'ASSEMBLAGE POUR FC2- MONTAGESCHRAUBEN FÜR FC2
 N° VITI – DIMENSIONE • N° SCREW – DIMENSIONS • N° VIS- DIMENSIONS • N° SCHRAUBEN-ABMESSUNGEN

EUROPEAN NORM

| DN PN | 15 | 20 | 25 | 32 | 40 | 50 | 65 | 80 | 100 | 125 | 150 | 200 |
|----------|-----------|-----------|-----------|----|-----------|-----------|------------|------------|------------|------------|------------|------------|
| 63 | 8 M12 X35 | 8 M16 X40 | 8 M16 X45 | | 8 M20 X50 | 8 M20 X50 | 16 M20 X50 | 16 M20 X55 | 16 M24 X60 | 16 M27 X65 | 16 M30 X70 | 24 M33 X80 |
| 100 | 8 M12 X35 | 8 M16 X40 | 8 M16 X45 | | 8 M20 X50 | 8 M24 X55 | 16 M24 X60 | 16 M24 X60 | 16 M27 X70 | 16 M30 X75 | 24 M30 X80 | |
| 160 | 8 M12 X35 | 8 M16 X40 | 8 M16 X45 | | 8 M20 X50 | 8 M24 X60 | 16 M24 X60 | 16 M24 X65 | 16 M27 X70 | 16 M30 X80 | 24 M30 X85 | |

ANSI METRIC

(STANDARD ADLER)

| Ø Rating | 1/2" | 3/4" | 1" | 1 1/4" | 1 1/2" | 2" | 2 1/2" | 3" | 4" | 5" | 6" | 8" |
|-------------|-----------|-----------|-----------|--------|-----------|------------|------------|------------|------------|------------|------------|----|
| 600 | 8 M14 X45 | 8 M16 X45 | 8 M16 X50 | | 8 M20 X55 | 16 M16 X55 | 16 M20 X60 | 16 M20 X65 | 16 M24 X75 | 16 M27 X85 | 24 M27 X90 | |

ANSI B1.1 UNC

(ON REQUEST)

| Ø Rating | 1/2" | 3/4" | 1" | 1 1/4" | 1 1/2" | 2" | 2 1/2" | 3" | 4" | 5" | 6" | 8" |
|-------------|---------------|---------------|-----------|--------|---------------|----------------|----------------|----------------|------------|--------------|--------------|----|
| 600 | 8 1/2 X 1 3/4 | 8 5/8 X 1 3/4 | 8 5/8 X 2 | | 8 3/4 X 2 1/4 | 16 5/8 X 2 1/4 | 16 3/4 X 2 1/2 | 16 3/4 X 2 1/2 | 16 7/8 X 3 | 16 1 X 3 1/2 | 24 1 X 3 1/2 | |

Length of screws calculated considering a gasket with thickness of 2mm.

