

ISO 9001 by L.R.  
PED DIR. 2014/68/UE by L.R.  
ATEX DIR. 2014/34/UE by B.V.  
FIRE SAFE EXECUTION BS6755/API 607 by L.R.  
FIRE SAFE TESTED ISO 10497 by L.R.  
ISO 15848 by TÜV  
ANTISTATIC DEVICE by L.R.  
EAC CERTIFICATION by B.V.

TYPE  
**FA1**  
PN 10 ÷ 40  
ANSI 150 ÷ 300

NORME E DIRETTIVE APPLICATE DISPONIBILI AL SEGUENTE LINK:  
STANDARD AND DIRECTIVE APPLIED AVAILABLE AT FOLLOWING LINK:  
[http://www.adlerspa.com/pdf/NORME\\_ADLER.pdf](http://www.adlerspa.com/pdf/NORME_ADLER.pdf)

## VALVOLE A SFERA "CORPO PIATTO" PASSAGGIO TOTALE

CONSTRUCTION ACCORDING TO:  
BS EN 12516-2 - ANSI B16.34  
ISO 14313 - EN 558



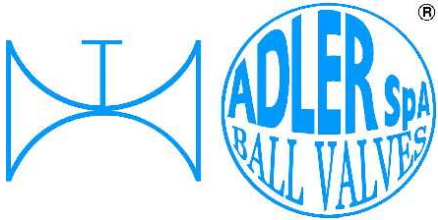
ACTUATED  
BALL VALVES  
CERTIFIED  
SIL 3 Capable  
According to IEC 61508

On request C.S. certified  
TPED 2010/35/UE  
FROM DN 15 TO DN 80  
PN 40

FULL BORE ACCORDING  
TO ISO 14313

**BALL VALVES "WAFER TYPE" FULL BORE**  
**ROBINETS A BOISSEAU SPHERIQUE**  
**"WAFER" PASSAGE INTEGRAL**  
**FLANSCHKUGELHÄHNE IN "KOMPAKTBAUWEISE"**  
**VOLLER DURCHGANG**

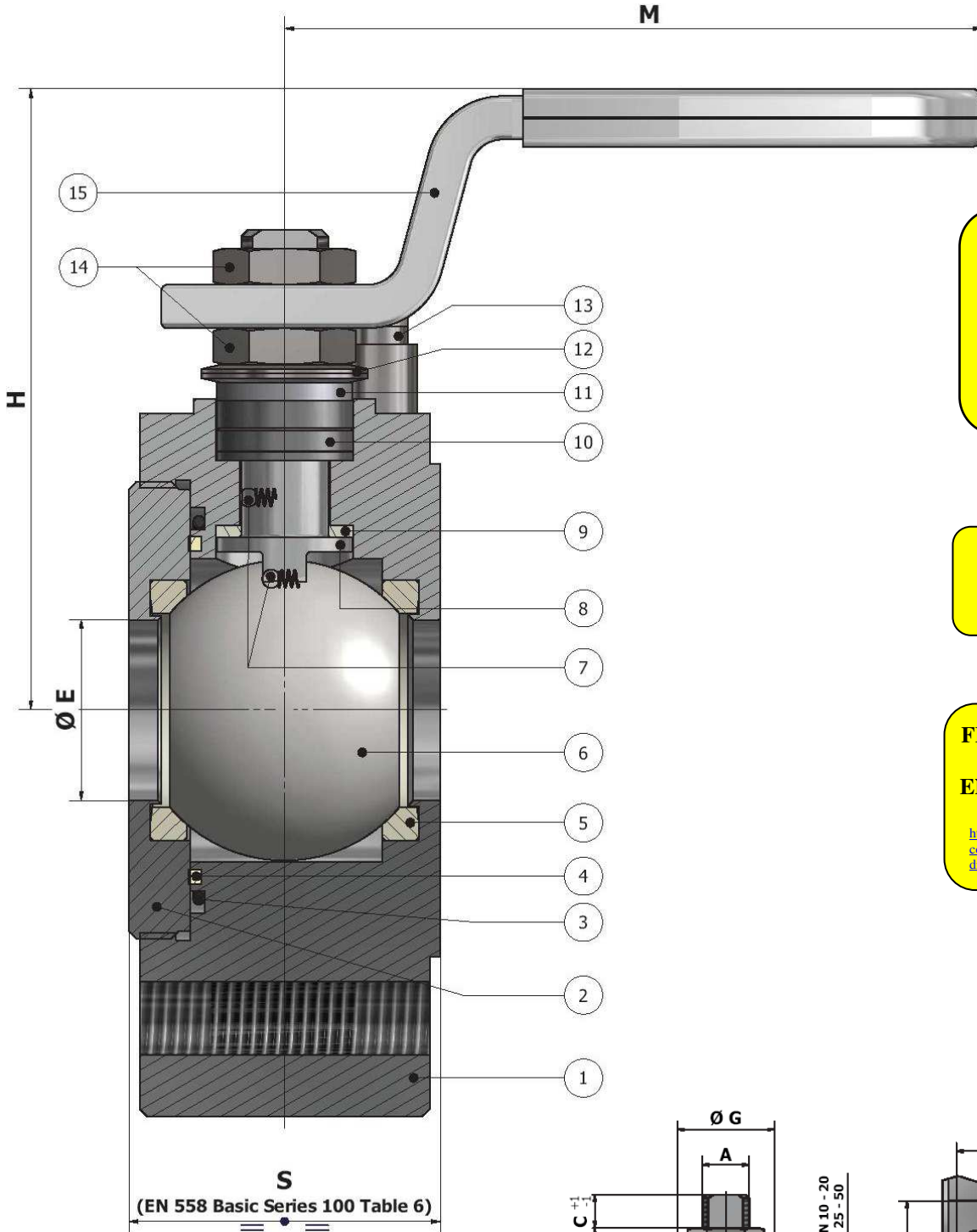
WEB SITE: [WWW.ADLERSPA.COM](http://WWW.ADLERSPA.COM)



ISO 9001 by L.R.  
 PED DIR. 2014/68/UE by L.R.  
 ATEX DIR. 2014/34/UE by B.V.  
 FIRE SAFE EXECUTION BS6755/API 607 by L.R.  
 FIRE SAFE TESTED ISO 10497 by L.R.  
 ISO 15848 by TÜV  
 ANTISTATIC DEVICE by L.R.  
 EAC CERTIFICATION by B.V.

TYPE  
**FA1**  
 PN 10 ÷ 40  
 ANSI 150 ÷ 300

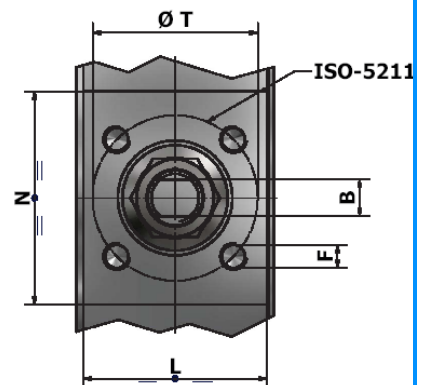
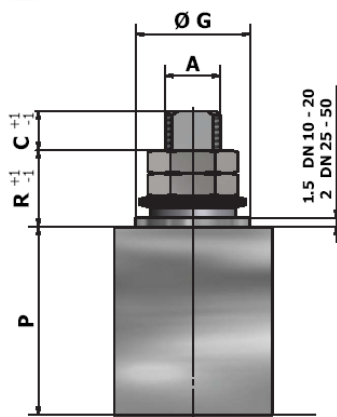
**VALVOLA A SFERA "CORPO PIATTO" PASSAGGIO TOTALE**  
**BALL VALVES "WAFFER TYPE" FULL BORE**  
**ROBINETS A BOISSEAU SPHERIQUE "WAFER" PASSAGE INTEGRAL**  
**FLANSCHKUGELHÄHNE IN "KOMPAKTBAUWEISE" VOLLER DURCHGANG**

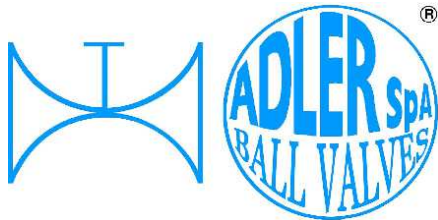


**VISUALIZZA 3D**  
**VIEW 3D**  
  
<https://adlerspa.com/prodotti/fa1>

Per montaggio con guarnizioni  
 spirametalliche, contattare Adler Spa.  
 For assembling with spiral-wound  
 gaskets, contact Adler Spa

**FLANGE DIMENSIONS**  
 according to  
**EN 1092-1 or ANSI B16.5**  
 see table  
<https://adlerspa.com/wp-content/uploads/2023/11/Tabella-dimensioni-flange-valvole-Adler.pdf>





ISO 9001 by L.R.  
 PED DIR. 2014/68/UE by L.R.  
 ATEX DIR. 2014/34/UE by B.V.  
 FIRE SAFE EXECUTION BS6755/API 607 by L.R.  
 FIRE SAFE TESTED ISO 10497 by L.R.  
 ISO 15848 by TÜV  
 ANTISTATIC DEVICE by L.R.  
 EAC CERTIFICATION by B.V.

TYPE  
**FA1**  
 PN 10 ÷ 40  
 ANSI 150 ÷ 300

N.	DESCRIZIONE DESCRIPTION BESCHREIBUNG	MATERIALI MATERIALS WERKSTOFFE
1	CORPO BODY CORPS MITTE	ASTM A105 ASTM A479 304/304L ASTM A479 316/316L
2	GHIERA INSERT EMBOUT GEWINDEDRUCKRING	ASTM A105 ASTM A479 304/304L ASTM A479 316/316L
3*	O-RING	FKM - (VITON)
4*	ANELLO SEAL ANNEAU DICHTUNGSRING	P.T.F.E.
5*	SEDE SEAT SIEGE SITZRING	P.T.F.E. R.P.T.F.E. (OPTIONAL)
6	SFERA BALL BOULE KUGEL	ASTM A479 304/304L ASTM A351 CF8 ASTM A479 316/316L ASTM A351 CF8M
7	DISPOSITIVO ANTISTATICO ANTISTATIC DEVICE CONTACT ANTISTATIQUE ANTISTATIK VORRICHTUNG	ASTM A479 316/316L
8	STELO STEM TIGE SPINDEL	ASTM A479 304/304L ASTM A479 316/316L

N.	DESCRIZIONE DESCRIPTION BESCHREIBUNG	MATERIALI MATERIALS WERKSTOFFE
9*	BUSSOLA STEM SEAL JOINT TIGE UNTERE SPINDELABDICHTUNG	P.T.F.E.
10*	PACCO A "V" CHEVRON RINGS JOINT A "V" 3 FACHE DACHMANSCHETTE	P.T.F.E. / GRAFITE P.T.F.E. / GRAPHITE P.T.F.E. / GRAPHITE P.T.F.E. / GRAPHIT
11	PREMIBUSSOLA PRESSING BUSH PRESSE RONDELLE STOPFBUCHSDRUCKRING	ASTM A479 304
12	MOLLE A TAZZA SPRING WASHERS RONDELLES BELLEVILLE TELLERFEDERN	C72/50Cr V4 ZINCATO - GALVANIZED - ZINGUE - VERZINKT X10CrNi18.8 ON REQUEST
13	VITE DI FERMO E FERMO PIN AND STOP PIN PLOINT ET PLOT D'ARRET ANSCHLAGBOLZEN	UNI 3951 A2-70
14	DADO - CONTRODADO NUT - LOCK NUT ECROU - CONTRE-ECROU MUTTER - KONTERMUTTER	UNI 3740 - 6S ZINCATO - GALVANIZED ZINGUE - VERZINKT ASTM A479 304 ON REQUEST
15	LEVA WRENCH LEVIER HANDHEBEL	AISI 1010 GALVANIZED AND PAINTED FOR S.S. VALVES PAINTED FOR C.S. VALVES ASTM A479 304 ON REQUEST
16		

\* RICAMBI CONSIGLIATI - RECOMMENDED SPARE PARTS - PIECES DE RECHANGE CONSEILLEES - ERSATZTEIL EMPFEHLUNG

ON REQUEST P.T.F.E. AVAILABLE CERTIFIED BAM, FDA, MOCA

## DIMENSIONI - DIMENSION - DIMENSIONS - ABMESSUNGEN

DN	10	15	20	25	32	40	50	65	80	100	125	150	200	250	300
A	10	10	10	12	12	16	16	22	22						
B	6	6	6	8	8	10	10	14	14						
C	7	7	7	10	10	10	10	12	12						
E	15	15	19	25	30	38	51	64	76						
F	M5	M5	M5	M5	M5	M6	M6	M8	M8						
ISO	F03	F03	F03	F03	F03	F05	F05	F07	F07						
G	25	25	25	25	25	35	35	55	55						
H	66	66	68	85	91	110	120	144	152						
L	33	33	33	40	48	58	79	97	114						
M	145	145	145	185	185	280	280	370	370						
N	69	69	78	81	105	102	102	25	80						
P	32,5	32,5	35	41	46,5	55	65	82	90,5						
R	7,5	7,5	7,5	16,5	16,5	19,5	19,5	24	24						
P	32,5	32,5	36,5	42,5	46,5	55	74,5								
R	8	8	6	17	16,5	20	10								
S	35	35	37	43	51	64	84	103	120						
T	36	36	36	36	36	50	50	70	70						
~Kg	1,6	1,6	1,9	2,8	4,8	7,2	11,5	18	23						

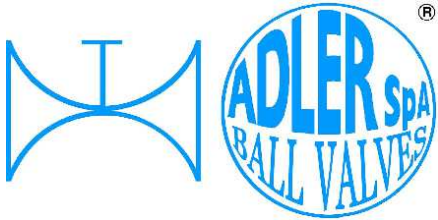
- DATI E CARATTERISTICHE SOGGETTI A VARIAZIONI SENZA PREAVVISO
- SPECIFICATIONS SUBJECT TO MODIFICATIONS WITHOUT PRIOR NOTICE
- TOUS DROITS DE MODIFICATION RESERVES
- KONSTRUKTIONSÄNDERUNGEN VORBEHALTEN

PN 10 ÷ 40 - ANSI 150

ANSI 300



ADLER SpA - BALL VALVES  
 20010 S. STEFANO TICINO (MI) ITALY V.le BORLETTI, 14 Tel. +39/02974842.11 FAX +39/0297271698  
 E-mail: [adler@adlerspa.com](mailto:adler@adlerspa.com) <http://www.adlerspa.com>



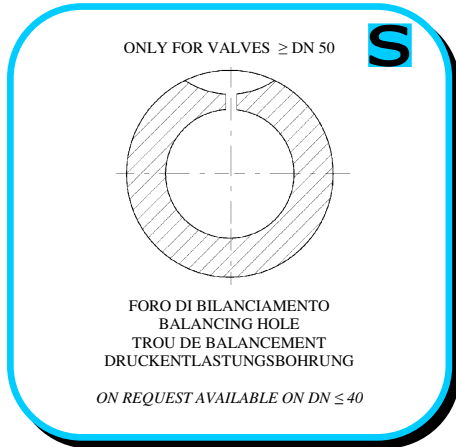
**ISO 9001 by L.R.**  
**PED DIR. 2014/68/UE by L.R.**  
**ATEX DIR. 2014/34/UE by B.V.**  
**FIRE SAFE EXECUTION BS6755/API 607 by L.R.**  
**FIRE SAFE TESTED ISO 10497 by L.R.**  
**ISO 15848 by TÜV**  
**ANTISTATIC DEVICE by L.R.**  
**EAC CERTIFICATION by B.V.**

**TYPE**  
**FA1**  
**PN 10 ÷ 40**  
**ANSI 150 ÷ 300**

**· ESECUZIONI · EXECUTIONS · EXECUTIONS · AUSFÜHRUNGEN**



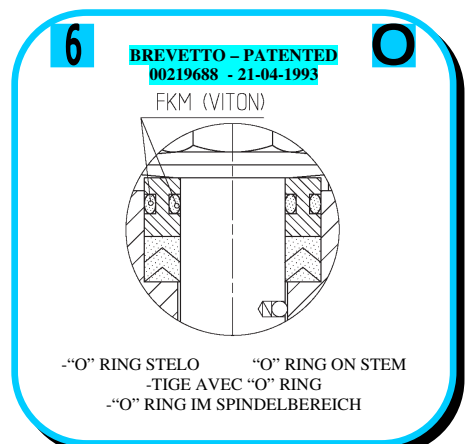
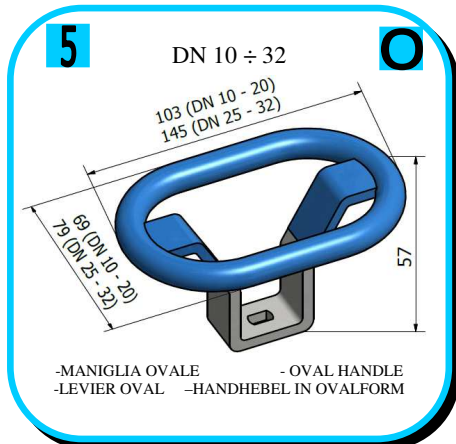
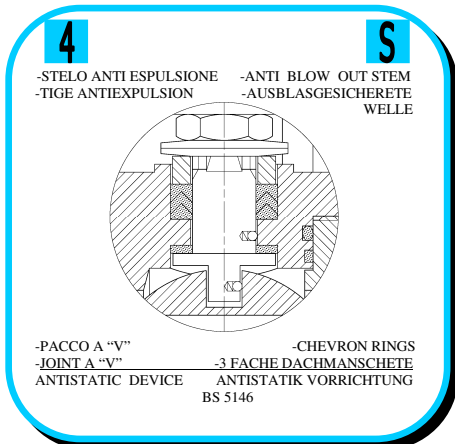
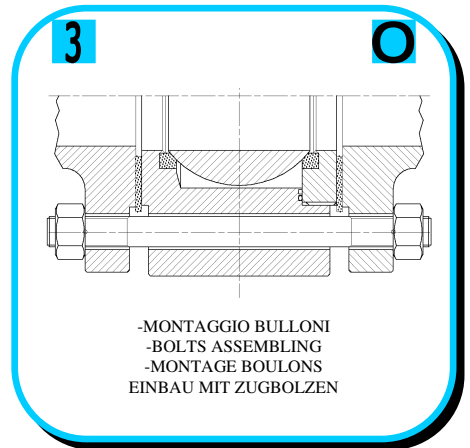
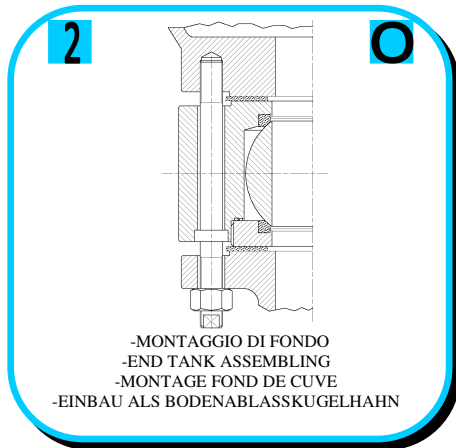
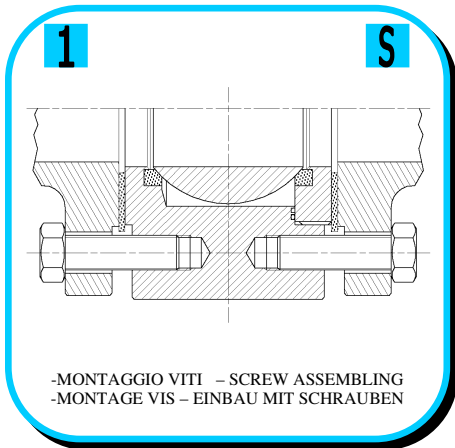
EXECUTION 4-12

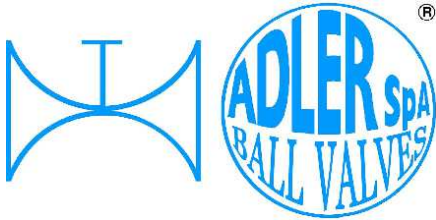


EXECUTION 6-16

**S** STANDARD

**O** OPTIONAL





ISO 9001 by L.R.  
 PED DIR. 2014/68/UE by L.R.  
 ATEX DIR. 2014/34/UE by B.V.  
 FIRE SAFE EXECUTION BS6755/API 607 by L.R.  
 FIRE SAFE TESTED ISO 10497 by L.R.  
 ISO 15848 by TÜV  
 ANTISTATIC DEVICE by L.R.  
 EAC CERTIFICATION by B.V.

TYPE  
**FA1**  
 PN 10 ÷ 40  
 ANSI 150 ÷ 300

**7** **O**

-PROLUNGA STELO -STEM EXTENSION  
 -TIGE PROLONGEE -SPINDELVERLÄNGERUNG

**8** **O**

-PARTICOLARI INOX  
 -STAINLESS STEEL DETAILS  
 -ACCESSOIRES EN INOX  
 -EDELSTAHLTEILE

**9** **S**

-ATTACCO "ISO" -"ISO" CONNECTIONS  
 -SYSTEM "ISO" -ANSCHLUSS "ISO"

**10** **S**

-SFERA CONTENUTA -CONTENTS BALL  
 -BOULE CONTENUE  
 -NICHT RAUSRAGENDE KUGEL

**11** **O**

-TENUTE INTEGRALE -POCKETLESS SEATS  
 -TENUUE INTEGRALE -TOTRAUMARM  
 -P.T.F.E. / R.T.F.E.

**12** **O**

FIRE SAFE  
 ISO 10497 "ISO-FT"  
 (BS 6755 / API 607)

**13** **S**

-DOPPIA TENUTA -DOUBLE SEALS  
 -DOUBLE ETANCHEITE -DOPPELTE ABDICHTUNG  
 -GHIERA A BATTUTA -METAL BEATING RING  
 -EMBOUT AVEC BATTUE MECANIQUE  
 -METALLISCHER ANSCHLAG DES  
 GEWINDED RUCKRINGS

**14** **O**

VEDERE / SEE ANSI B16.34

FLUSSO  
 FLOW

-FORO DI SCARICO NELLA SFERA  
 -OVERPRESSURE HOLE INTO BALL  
 -TROU DECOMPRESSION DANS LA BOULE  
 -ENTLASTUNGSBOHRUNG IN DER KUGEL  
 VALVOLA MONO DIREZIONALE  
 MONO-DIRECTIONAL VALVE

**15** **O**

P.T.F.E./GRAPHITE  
 P.T.F.E.  
 100-250

-SERVIZIO CRIOGENICO - CRYOGENIC SERVICE  
 -SERVICE CRYOGENIQUE  
 -TIEFTEMPORATUR SERVICE

**16** **O**

-FIRE SAFE ISO FT+ "O" RING STELO  
 -FIRE SAFE ISO FT+ "O" RING ON STEM  
 -SECURITE FEU ISO FT+ TIGE AVEC "O" RING  
 -FEUERSICHERE AUSFÜHRUNG ISO FT+  
 "O" RING IM SPINDELBEREICH

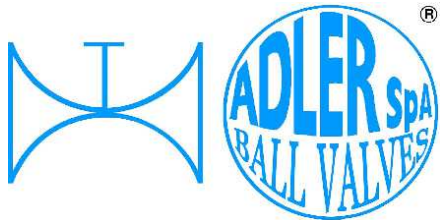
**ADLER**

UNA GAMMA COMPLETA  
 PRIVILEGIANDO LA QUALITA'

A COMPLETE RANGE PRIVILEGING  
 THE QUALITY

**18** **O**

-SFERA CIECA PER CAMPIONATURA  
 -BLIND BALL FOR SAMPLING  
 -PRISE-ECHANTILLON  
 KUGEL FÜR PROBEENTNAHME



**ISO 9001 by L.R.**  
**PED DIR. 2014/68/UE by L.R.**  
**ATEX DIR. 2014/34/UE by B.V.**  
**FIRE SAFE EXECUTION BS6755/API 607 by L.R.**  
**FIRE SAFE TESTED ISO 10497 by L.R.**  
**ISO 15848 by TÜV**  
**ANTISTATIC DEVICE by L.R.**  
**EAC CERTIFICATION by B.V.**

**TYPE**  
**FA1**  
**PN 10 ÷ 40**  
**ANSI 150 ÷ 300**

VITI D'ASSEMBLAGGIO PER FA1 - ASSEMBLING SCREWS FOR FA1 - VIS D'ASSEMBLAGE POUR FA1- MONTAGESCHRAUBEN FÜR FA1

N° VITI - DIMENSIONE • N° SCREW - DIMENSIONS • N° VIS - DIMENSIONS • N° SCHRAUBEN-ABMESSUNGEN

### EUROPEAN NORM

DN PN	10-15		20		25		32		40		50		65		80		100		125		150		200	
16	8	M12 X30	8	M12 X30	8	M12 X30	8	M16 X35	8	M16 X35	8	M16 X40												
25	8	M12 X30	8	M12 X35	8	M12 X35	8	M16 X40	8	M16 X40	8	M16 X40												
40	8	M12 X30	8	M12 X35	8	M12 X35	8	M16 X40	8	M16 X40	8	M16 X40												

### ANSI METRIC

(STANDARD ADLER)

Rating Ø	1/2"		3/4"		1"		1 1/4"		1 1/2"		2"		2 1/2"		3"		4"		5"		6"		8"	
150	8	M14 X30	8	M14 X30	8	M14 X30	8	M14 X35	8	M14 X35	8	M16 X40												
300	8	M14 X30	8	M16 X30	8	M16 X35	8	M16 X40	8	M20 X45	16	M16 X40												

### ANSI B1.1 UNC

(ON REQUEST)

Rating Ø	1/2"		3/4"		1"		1 1/4"		1 1/2"		2"		2 1/2"		3"		4"		5"		6"		8"	
150	8	1/2 X 1 1/4	8	1/2 X 1 1/4	8	1/2 X 1 1/4	8	1/2 X 1 1/4	8	1/2 X 1 1/2	8	5/8 X 1 1/2												
300	8	1/2 X 1 1/4	8	5/8 X 1 1/4	8	5/8 X 1 1/2	8	5/8 X 1 1/2	8	3/4 X 1 3/4	16	5/8 X 1 3/4												

Length of screws calculated considering a gasket with thickness of 2mm.

