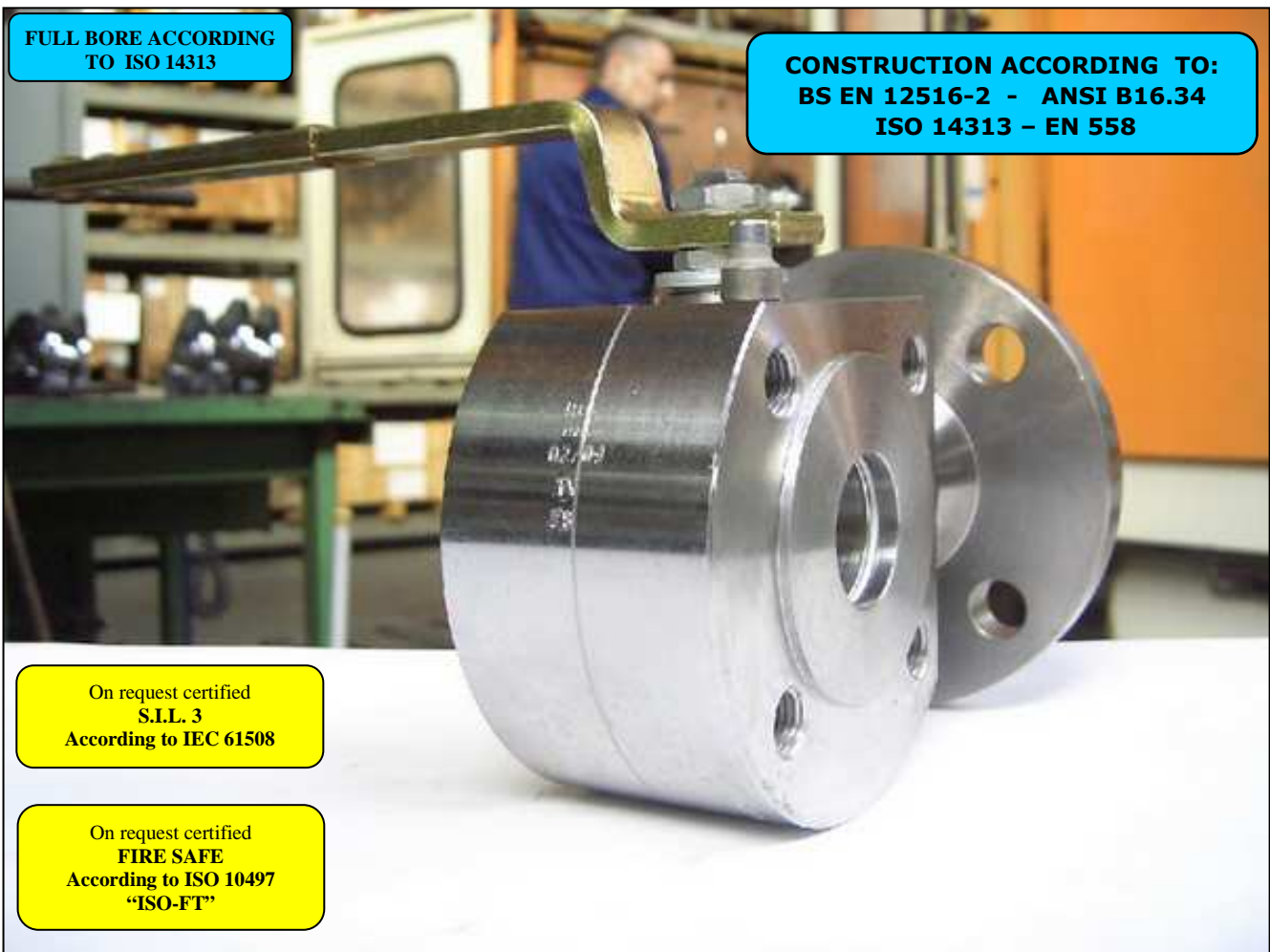


ISO 9001 by L.R.
PED DIR. 2014/68/UE by L.R.
ATEX DIR. 2014/34/UE by B.V.
FIRE SAFE EXECUTION by L.R.
ISO 15848 by TÜV
ANTISTATIC DEVICE by L.R.
FIRE SAFE TESTED ISO 10497 by L.R.
EAC CERTIFICATION by B.V.

TYPE
FA4
PN 10 ÷ 40
ANSI 150

NORME E DIRETTIVE APPLICATE DISPONIBILI AL SEGUENTE LINK:
STANDARD AND DIRECTIVE APPLIED AVAILABLE AT FOLLOWING LINK:
http://www.adlerspa.com/pdf/NORME_ADLER.pdf

VALVOLE A SFERA "3 VIE CORPO PIATTO" PASSAGGIO TOTALE 90°



FULL BORE ACCORDING
TO ISO 14313

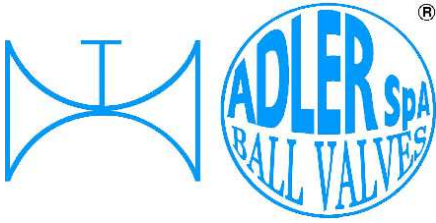
CONSTRUCTION ACCORDING TO:
BS EN 12516-2 - ANSI B16.34
ISO 14313 - EN 558

On request certified
S.I.L. 3
According to IEC 61508

On request certified
FIRE SAFE
According to ISO 10497
"ISO-FT"

BALL VALVES "3 WAFER TYPE" FULL BORE 90°
ROBINETS A BOISSEAU SPHERIQUE
"3 VOIES WAFER" PASSAGE INTEGRAL 90°
KUGELHÄHNE "3 WEGE KOMPAKTHAHN"
VOLLER DURCHGANG 90°

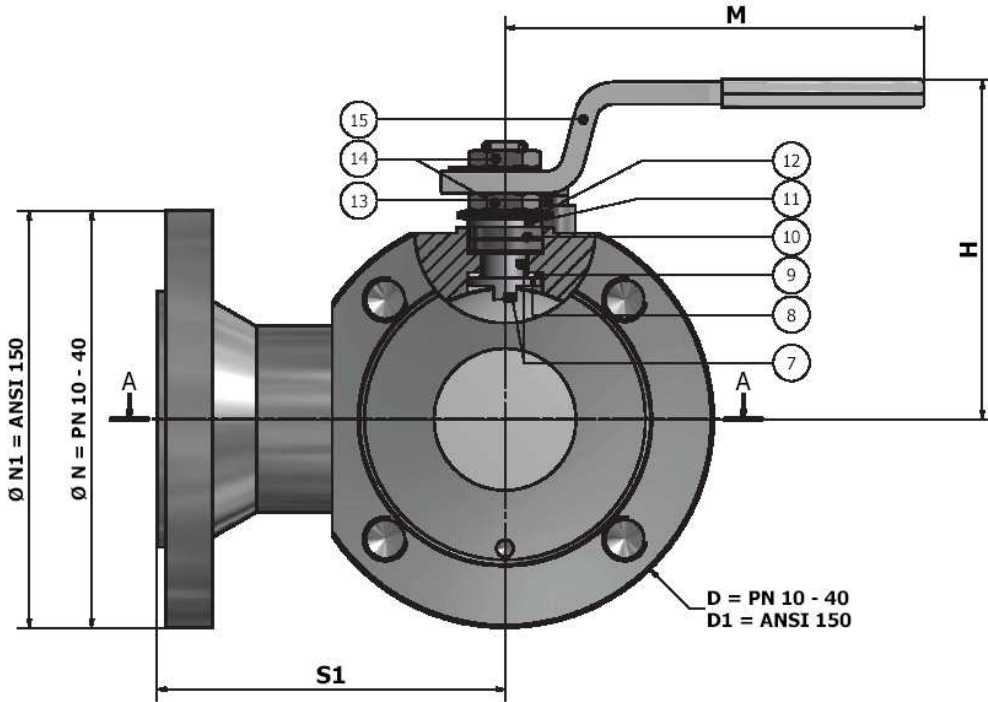
WEB SITE: WWW.ADLERSPA.COM



ISO 9001 by L.R.
 PED DIR. 2014/68/UE by L.R.
 ATEX DIR. 2014/34/UE by B.V.
 FIRE SAFE EXECUTION by L.R.
 ISO 15848 by TÜV
 ANTISTATIC DEVICE by L.R.
 FIRE SAFE TESTED ISO 10497 by L.R.
 EAC CERTIFICATION by B.V.

TYPE
FA4
 PN 10 ÷ 40
 ANSI 150

VALVOLA A SFERA "3 VIE CORPO PIATTO" PASSAGGIO TOTALE 90°
BALL VALVES " 3 WAY WAFER" FULL BORE 90°
ROBINETS A BOISSEAU SPHERIQUE "3 VOIS WAFER" PASSAGE INTEGRAL 90°
KUGELHÄHNE "3 WEGE KOMPAKTHAHN" VOLLER DURCHGANG 90°

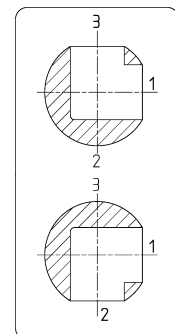
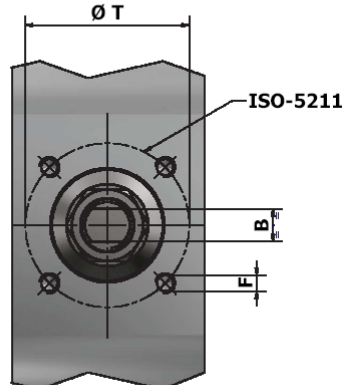
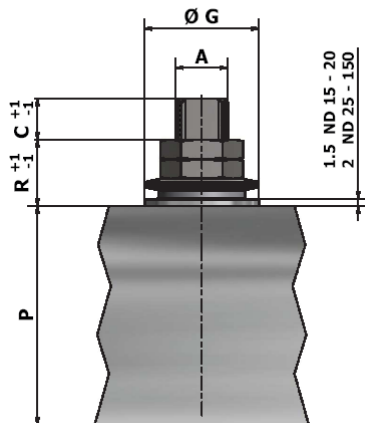
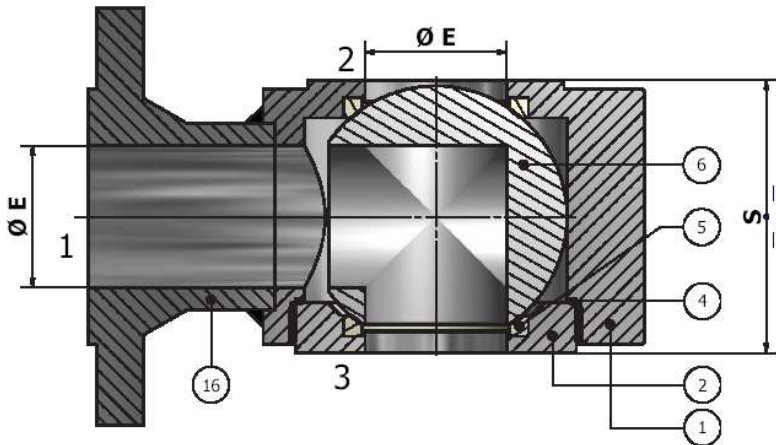


**VISUALIZZA 3D
 VIEW 3D**

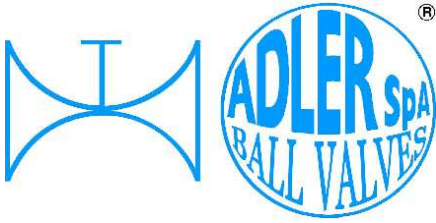
<https://adlerspa.com/prodotti/fa4>

Per montaggio con guarnizioni
 spirali metalliche, contattare Adler Spa.
 For assembling with spiral-wound
 gaskets, contact Adler Spa

DN 65 PN 16 ESECUZIONE
 STANDARD CON 4 FORI
 SU RICHIESTA DISPONIBILE
 CON 8 FORI
 DN 65 PN 16 STANDARD
 EXECUTION WITH 4 HOLES
 ON REQUEST AVAILABLE WITH
 8 HOLES



POSIZIONI OTTENIBILI
 OBTAINABLE POSITIONS
 POSITIONS OBTENABLES
 MÖGLICHE STELLUNGEN



ISO 9001 by L.R.
 PED DIR. 2014/68/UE by L.R.
 ATEX DIR. 2014/34/UE by B.V.
 FIRE SAFE EXECUTION by L.R.
 ISO 15848 by TÜV
 ANTISTATIC DEVICE by L.R.
 FIRE SAFE TESTED ISO 10497 by L.R.
 EAC CERTIFICATION by B.V.

TYPE
FA4
 PN 10 ÷ 40
 ANSI 150

N.	DESCRIZIONE DESCRIPTION MATERIAUX BESCHREIBUNG	MATERIALI MATERIALS MATERIAUX WERKSTOFFE
1	CORPO BODY CORPS MITTE	ASTM A105 ASTM A479 304/304L ASTM A479 316/316L
2	GHIERA INSERT EMBOUT GEWINDEDRUCKRING	ASTM A105 ASTM A479 304/304L ASTM A479 316/316L
3*		
4*	ANELLO SEAL ANNEAU DICHTUNGSRING	P.T.F.E.
5*	SEDE SEAT SIEGE SITZRING	P.T.F.E. R.P.T.F.E. (OPTIONAL)
6	SFERA BALL BOULE KUGEL	ASTM A479 304/304L ASTM A351 CF8 ASTM A479 316/316L ASTM A351 CF8M
7	DISPOSITIVO ANTISTATICO ANTISTATIC DEVICE CONTACT ANTISTATIQUE ANTISTATIK VORRICHTUNG	ASTM A479 316/316L
8	STELO STEM TIGE SPINDEL	ASTM A479 304/304L ASTM A479 316/316L

N.	DESCRIZIONE DESCRIPTION MATERIAUX BESCHREIBUNG	MATERIALI MATERIALS MATERIAUX WERKSTOFFE
9*	BUSSOLA STEM SEAL JOINT TIGE UNTERE SPINDELABDICHTUNG	P.T.F.E.
10*	PACCO A "V" CHEVRON RINGS JOINT A "V" 3 FACHE DACHMANSCHETTE	P.T.F.E. / GRAFITE P.T.F.E. / GRAPHITE P.T.F.E. / GRAPHITE P.T.F.E. / GRAPHIT
11	PREMIBUSSOLA PRESSING BUSH PRESSE RONDELLE STOPFBUCHSDRUCKRING	ASTM A479 304
12	MOLLE A TAZZA SPRING WASHERS RONDELLES BELLEVILLE TELLERFEDERN	C72/50Cr V4 ZINCATO - GALVANIZED - ZINGUE - VERZINKT X10CrNi18.8 ON REQUEST
13	VITE DI FERMO E FERMO PIN AND STOP PIN PLOINT ET PLOT D'ARRET ANSCHLAGBOLZEN	UNI3740 8.8 ZINCATO - GALVANIZED - ZINGUE - VERZINKT UNI 3951 A2-70 ON REQUEST
14	DADO - CONTRODADO NUT - LOCK NUT ECROU - CONTRE-ECROU MUTTER - KONTERMUTTER	UNI 3740 - 6S ZINCATO - GALVANIZED ZINGUE - VERZINKT ASTM A479 304 ON REQUEST
15	LEVA WRENCH LEVIER HANDHEBEL	AISI 1010 CHROMED FOR S.S. VALVES ASTM A479 304 PAINTED FOR C.S. VALVES ON REQUEST
16	FLANGIA FLANGE BRIDE FLANSCH	ASTM A105 ASTM A479 304/304L ASTM A479 316/316L

* RICAMBI CONSIGLIATI - RECOMMENDED SPARE PARTS - PIECES DE RECHANGE CONSEILLEES - ERSATZTEIL EMPFEHLUNG

ON REQUEST P.T.F.E. AVAILABLE CERTIFIED BAM, FDA, MOCA

DIMENSIONI - DIMENSION - DIMENSIONS - ABMESSUNGEN

DN	10	15	20	25	32	40	50	65	80	100	100	125	150		
AxB		10x16	10x6	12x8	12x8	16x10	16x10	22x14	22x14	30x18	30x18	30x18	42		
C		7	7	10	10	15	15	17	12	17	17	17	19		
ØD		95	105	115	140	150	165	188	208	220	234	249	340		
ØD1		89	99	108	118	128	153	188	208	229	/	258	340		
ØE		15	19	25	30	38	51	64	69	87	87	108	136		
F		M5	M5	M5	M5	M6	M6	M8	M8	M10	M10	M10	M12		
ISO		F03	F03	F03	F03	F05	F05	F07	F07	F10	F10	F10	F12		
G		25	25	25	25	35	35	55	55	70	70	70	85		
H		70	75	90	95	112	122	147	149	174	174	187	255		
M		145	145	185	185	280	280	370	370	470	470	650	750		
ØN		95	105	115	140	150	165	185	200	220	234	249	283		
ØN1		89	99	108	118	128	153	178	190	229	/	254	283		
P		36,6	41	46	51	57	67	85	91,5	99,5	107	114	144		
R		8	8	17	17	20	20	23	23	27	18	25	34		
S		42	50	56	66	78	98	119	124	154	154	182	288		
S1		85	90	95	110	115	125	150	165	170(1)	190	190(2)	230		
T		36	36	36	36	50	50	70	70	102	102	102	125		
~Kg		2,5	4	5	9	12	18	28	37	50	55				

- DATI E CARATTERISTICHE SOGGETTI A VARIAZIONI SENZA PREAVVISO
- SPECIFICATIONS SUBJECT TO MODIFICATIONS WITHOUT PRIOR NOTICE
- TOUS DROITS DE MODIFICATION RESERVES
- KONSTRUKTIONÄNDERUNGEN VORBEHALTEN

(1) 180 ANSI 150

PN 10/40 - ANSI 150

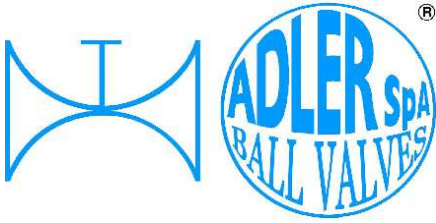
(2) 200 ANSI 150

PN 10 ÷ 16

PN 25 ÷ 40



ADLER SpA - BALL VALVES
 20010 S. STEFANO TICINO (MI) ITALY V.le BORLETTI, 14 Tel. +39/02974842.11 FAX +39/0297271698
 E-mail: adler@adlerspa.com <http://www.adlerspa.com>



ISO 9001 by L.R.
 PED DIR. 2014/68/UE by L.R.
 ATEX DIR. 2014/34/UE by B.V.
 FIRE SAFE EXECUTION by L.R.
 ISO 15848 by TÜV
 ANTISTATIC DEVICE by L.R.
 FIRE SAFE TESTED ISO 10497 by L.R.
 EAC CERTIFICATION by B.V.

TYPE
FA4
 PN 10 ÷ 40
 ANSI 150

▪ ESECUZIONI ▪ EXECUTIONS ▪ EXECUTIONS ▪ AUSFÜHRUNGEN



EXECUTION 4-12



EXECUTION 6-16

S STANDARD

O OPTIONAL

1 **S**

-MONTAGGIO VITI – SCREW ASSEMBLING
 -MONTAGE VIS – EINBAU MIT SCHRAUBEN

2 **S** INDICATORE DI FLUSSO
 FLOW INDICATOR

3 **S** **DN 150**

UNIONE CORPO LATERALE CON VITE
 BODY AND END ASSEMBLING WITH SCREW

Screw UNI 3740-8.8
 GALVANIZED

UNI 3951 A2-70 ON REQUEST

4 **S**

-STELO ANTI ESPULSIONE – ANTI BLOW OUT STEM
 -TIGE ANTIEXPULSION – AUSBLASGESICHERETE WELLE

-PACCO A "V" – CHEVRON RINGS
 -JOINT A "V" – 3 FACHE DACHMANSCHETE
 ANTISTATIC DEVICE ANTISTATIK VORRICHTUNG
 BS 5146

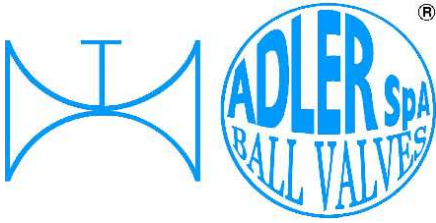


6 **O**

BREVETTO – PATENTED
 00219688 - 21-04-1993

FKM (VITON)

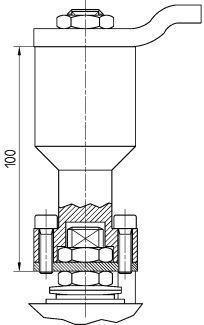
-“O” RING STELO “O” RING ON STEM
 -TIGE AVEC “O” RING
 -“O” RING IM SPINDELBEREICH



ISO 9001 by L.R.
 PED DIR. 2014/68/UE by L.R.
 ATEX DIR. 2014/34/UE by B.V.
 FIRE SAFE EXECUTION by L.R.
 ISO 15848 by TÜV
 ANTISTATIC DEVICE by L.R.
 FIRE SAFE TESTED ISO 10497 by L.R.
 EAC CERTIFICATION by B.V.

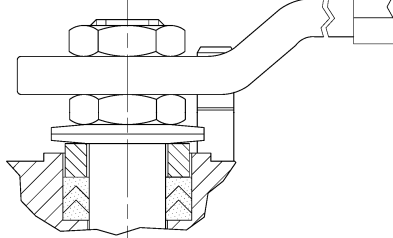
TYPE
FA4
 PN 10 ÷ 40
 ANSI 150

7



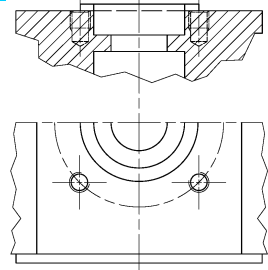
-PROLUNGA STELO -STEM EXTENSION
 -TIGE PROLONGEE -SPINDELVERLÄNGERUNG

8



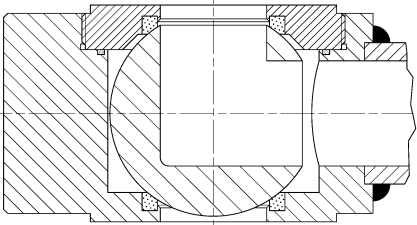
-PARTICOLARI INOX -STAINLESS STEEL DETAILS
 -ACCESSOIRES EN INOX -EDELSTAHLTEILE

9



-ATTACCO "ISO" -"ISO" CONNECTIONS
 -SYSTEM "ISO" -ANSCHLUSS "ISO"

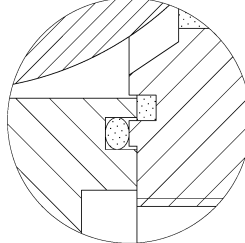
10



-SFERA CONTENUTA -CONTENTS BALL
 -BOULE CONTENUE
 -NICHT RAUSRAGENDE KUGEL

11

DN 150



DOPPIA TENUTA - DOUBLE SEALS
 DOUBLE ETACHEITE
 DOPPELTE ABDICHTUNG

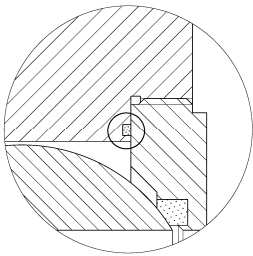
BREVETTO - PATENTED
 00219619

12

FIRE SAFE
 ISO 10497 "ISO-FT"
 (BS 6755 / API 607)



13

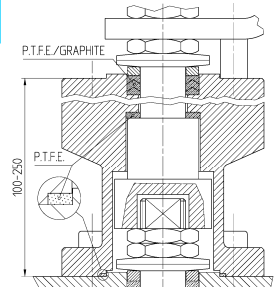


ANELLO CONTENUTO - CONTAINED SEAL
 ANNEAU CONTENU - DICHRING GEKAMMERT
 -GHIERA A BATTUTA -METAL BEATING RING
 -EMBOUT AVEC BATTUE MECANIQUE
 -METALLISCHER ANSCHLAG DES
 GEWINDEDRÜCKRINGS

VALVOLE CERTIFICATE S.I.L. 3
 VALVES CERTIFIED S.I.L. 3



15



- SERVIZIO CRIOGENICO - CRYOGENIC SERVICE
 - SERVICE CRYOGENIQUE
 - TIEFTEMPORATUR SERVICE

16

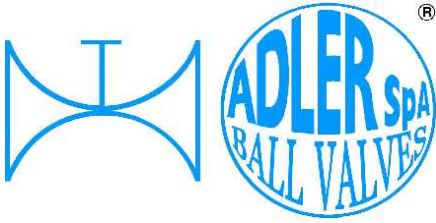


-FIRE SAFE ISO FT+ "O" RING STELO
 -FIRE SAFE ISO FT+ "O" RING ON STEM
 -SECURITE FEU ISO FT+ TIGE AVEC "O" RING
 -FEUERSICHERE AUSFÜHRUNG ISO FT+
 "O" RING IM SPINDELBEREICH



N.D.T. QUALIFICATION IN ACC. TO
 UNI EN ISO 9712 LEVEL II
 PT AND MT





ISO 9001 by L.R.
 PED DIR. 2014/68/UE by L.R.
 ATEX DIR. 2014/34/UE by B.V.
 FIRE SAFE EXECUTION by L.R.
 ISO 15848 by TÜV
 ANTISTATIC DEVICE by L.R.
 FIRE SAFE TESTED ISO 10497 by L.R.
 EAC CERTIFICATION by B.V.

TYPE
FA4
 PN 10 ÷ 40
 ANSI 150

N° VITI – DIMENSIONE • N° SCREW – DIMENSIONS • N° VIS- DIMENSIONS • N° SCHRAUBEN-ABMESSUNGEN

EUROPEAN NORM

DN PN	15	20	25	32	40	50	65	80	100	125	150	200
16	8 M12 X30	8 M12 X30	8 M12 X30	8 M16 X35	8 M16 X35	8 M16 X40	8 M16 X40	16 M16 X40	16 M16 X40	16 M16 X45	16 M20 X45	
25	8 M12 X30	8 M12 X35	8 M12 X35	8 M16 X40	8 M16 X40	8 M16 X40	16 M16 X45	16 M16 X45	16 M20 X50	16 M24 X55		
40	8 M12 X30	8 M12 X35	8 M12 X35	8 M16 X40	8 M16 X40	8 M16 X40	16 M16 X45	16 M16 X45	16 M20 X50	16 M24 X55		

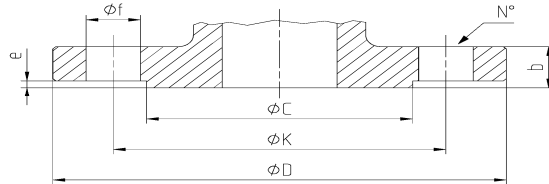
ANSI METRIC (STANDARD ADLER)

Ø Rating	1/2"	3/4"	1"	1 1/4"	1 1/2"	2"	2 1/2"	3"	4"	5"	6"	8"
150	8 M14 X30	8 M14 X30	8 M14 X30	8 M14 X35	8 M14 X35	8 M16 X40	8 M16 X40	8 M16 X45	16 M16 X45	16 M20 X50	16 M20 X50	

ANSI B1.1 UNC (ON REQUEST)

Ø Rating	1/2"	3/4"	1"	1 1/4"	1 1/2"	2"	2 1/2"	3"	4"	5"	6"	8"
150	8 1/2 X 1 1/4	8 1/2 X 1 1/4	8 1/2 X 1 1/4	8 1/2 X 1 1/4	8 1/2 X 1 1/2	8 5/8 X 1 1/2	8 5/8 X 1 3/4	8 5/8 X 1 3/4	16 5/8 X 1 3/4	16 3/4 X 2	16 3/4 X 2	

Length of screws calculated considering a gasket with thickness of 2mm.



ANSI B16.5

DN	Ref.	1/2"	3/4"	1"	1 1/4"	1 1/2"	2"	2 1/2"	3"	4"	5"	6"	8"	10"	12"
ANSI 150 RF	D	88.9	98.6	108	117.4	127	152.4	177.8	190.5	228.6	254	279.4			
	C	35.1	43	50.8	63.5	92	104.7	127	157.3	185.7	215.9	269.8			
	K	6035	69.9	79.2	88.9	98.6	120.7	139.7	152.4	190.5	215.9	241.3			
	N°	4	4	4	4	4	4	4	4	8	8	8			
	f	15.8	15.8	15.8	15.8	19.1	19.1	19.1	19.1	19.1	22.4	22.4			
	b	11.2	12.7	14.3	15.8	17.6	19.1	22.4	23.9	23.9	23.9	25.4			
	e	1.6	1.6	1.6	1.6	1.6	1.6	1.6	1.6	1.6	1.6	1.6			

EN 1092-1

DN	Ref.	10	15	20	25	32	40	50	65	80	100	125	150	200	250	300
PN 10/16	D		95	105	115	140	150	165	185	200	220	250	285			
	C		45	58	68	78	88	102	122	138	158	188	212			
	K		65	75	85	100	110	125	145	160	180	210	240			
	N°		4	4	4	4	4	4	4*	8	8	8	8			
	f		14	14	14	18	18	18	18	18	18	18	22			
	b		16	18	18	18	18	18	18	20	20	22	22			
	e		2	2	2	2	3	3	3	3	3	3	3			
PN 25/40	D		95	105	115	140	150	165	185	200	235	270	300			
	C		45	58	68	78	88	102	122	138	162	188	218			
	K		65	75	85	100	110	125	145	160	190	220	250			
	N°		4	4	4	4	4	4	4	8	8	8	8			
	f		14	14	14	18	18	18	18	18	22	26	26			
	b		16	18	18	18	18	20	22	24	24	26	28			
	e		2	2	2	2	3	3	3	3	3	3	3			