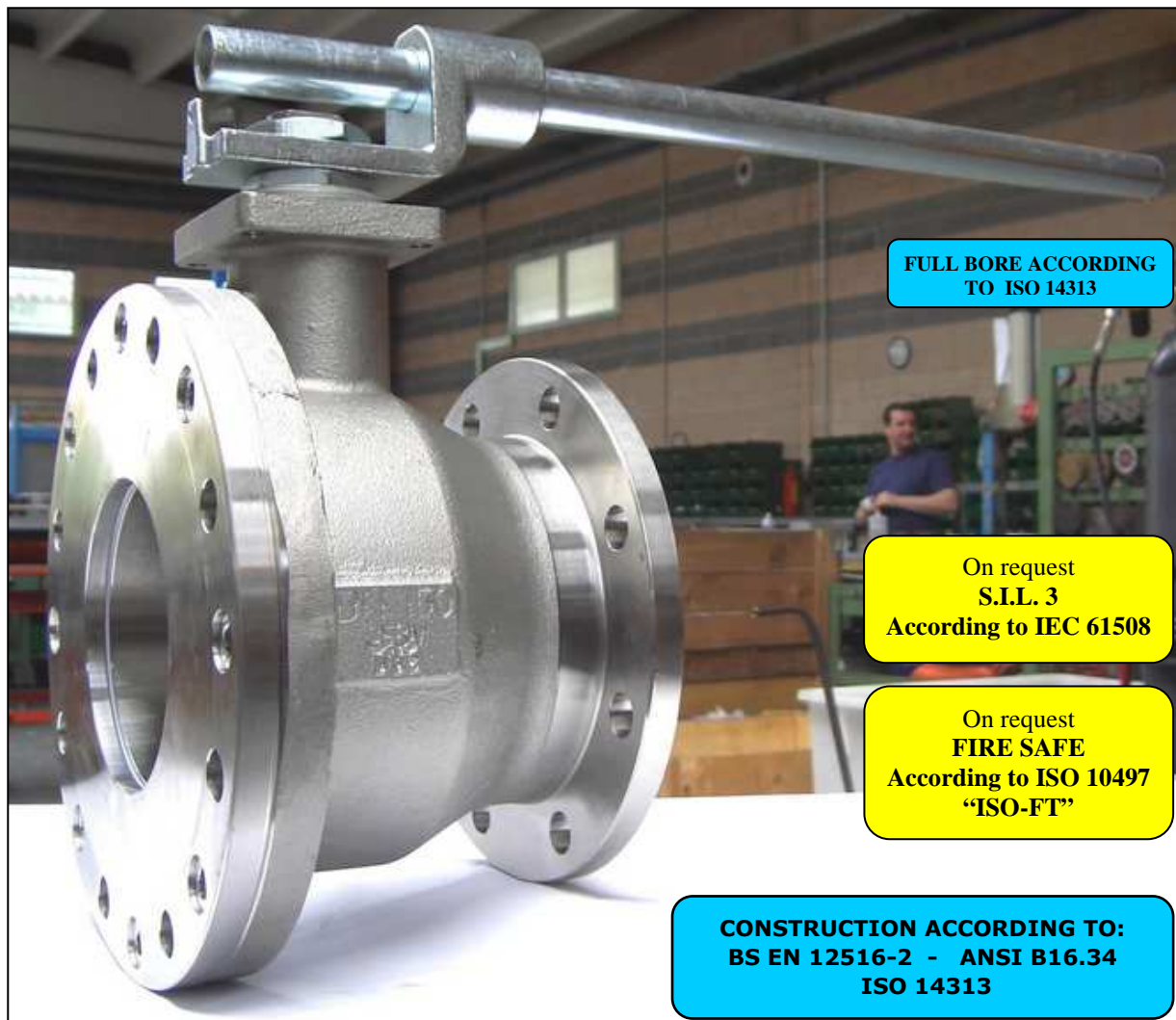


ISO 9001 by L.R.
PED DIR. 2014/68/UE by L.R.
ATEX DIR. 2014/34/UE by B.V.
FIRE SAFE EXECUTION by L.R.
ISO 15848 by TÜV
ANTISTATIC DEVICE by L.R.
FIRE SAFE TESTED ISO 10497 by L.R.
EAC CERTIFICATION by B.V.

TYPE
FB8
PN 10 ÷ 16

NORME E DIRETTIVE APPLICATE DISPONIBILI AL SEGUENTE LINK:
STANDARD AND DIRECTIVE APPLIED AVAILABLE AT FOLLOWING LINK:
http://www.adlerspa.com/pdf/NORME_ADLER.pdf

VALVOLE A SFERA "CORPO PIATTO" PASSAGGIO TOTALE MONTAGGIO DI FONDO



FULL BORE ACCORDING
TO ISO 14313

On request
S.I.L. 3
According to IEC 61508

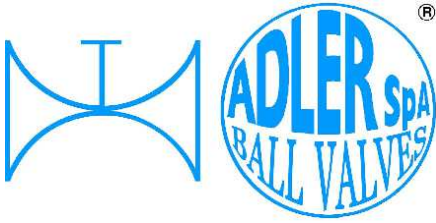
On request
FIRE SAFE
According to ISO 10497
"ISO-FT"

CONSTRUCTION ACCORDING TO:
BS EN 12516-2 - ANSI B16.34
ISO 14313

**BALL VALVES "WAFER TYPE" FULL BORE END TANK
ASSEMBLING**

**ROBINETS A BOISSEAU SPHERIQUE "WAFER"
PASSAGE INTEGRAL MONTAGE FOND DE CUVE
FLANSCHKUGELHÄHNE IN "KOMPAKTBAUWEISE"
VOLLER DURCHGANG EINBAU ALS
BODENABLASSKUGELHAHN**

WEB SITE: WWW.ADLERSPA.COM



ISO 9001 by L.R.
 PED DIR. 2014/68/UE by L.R.
 ATEX DIR. 2014/34/UE by B.V.
 FIRE SAFE EXECUTION by L.R.
 ISO 15848 by TÜV
 ANTISTATIC DEVICE by L.R.
 FIRE SAFE TESTED ISO 10497 by L.R.
 EAC CERTIFICATION by B.V.

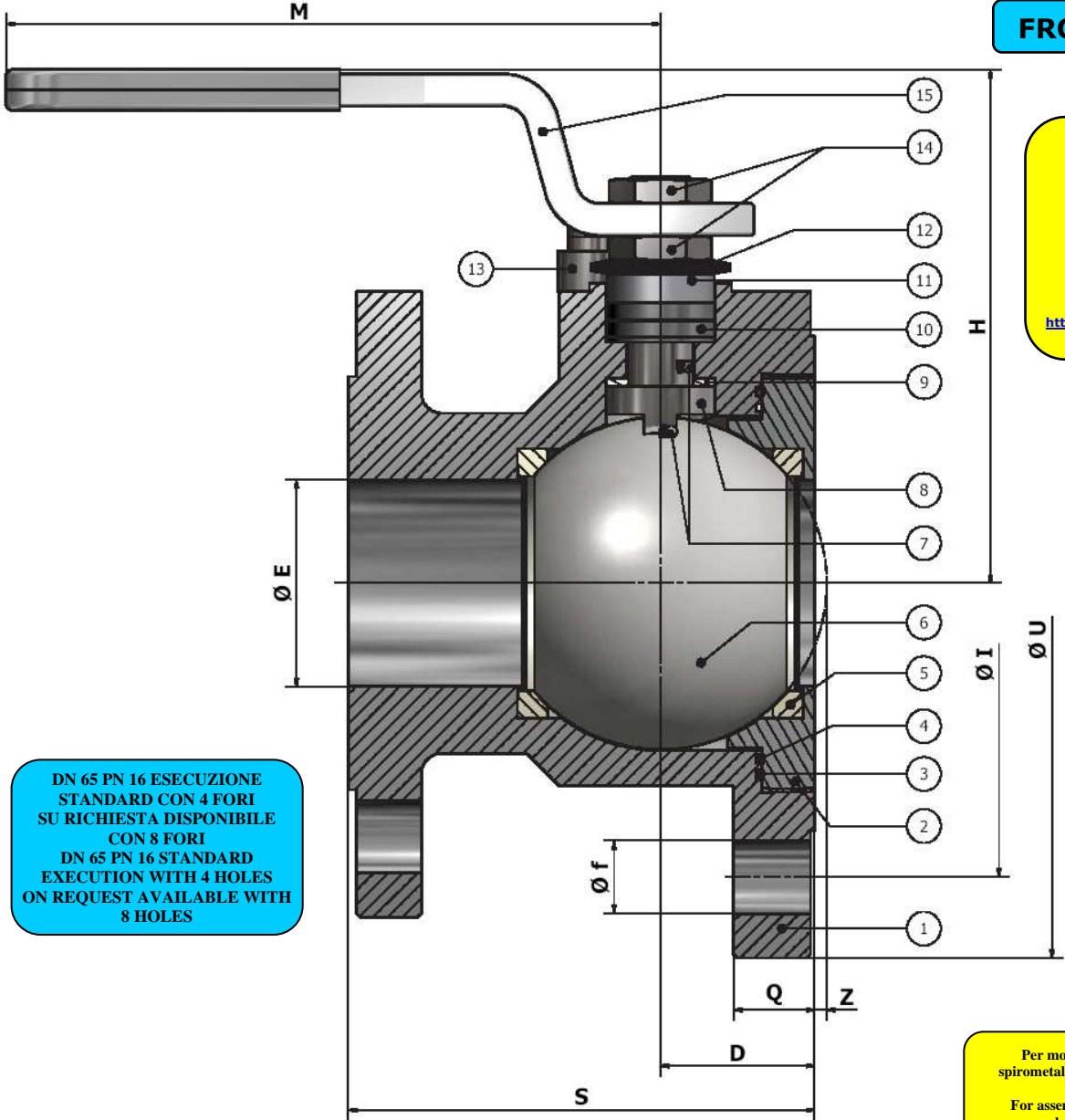
TYPE
FB8
 PN 10 ÷ 16

VALVOLA A SFERA "CORPO PIATTO" PASSAGGIO TOTALE, MONTAGGIO DI FONDO
BALL VALVES "WAFFER TYPE" FULL BORE, END TANK ASSEMBLING
ROBINETS A BOISSEAU SPHERIQUE "WAFFER" PASSAGE INTEGRAL, MONTAGE FOND DE CUVE
FLANSCHKUGELHÄHNNE IN "KOMPAKTBAUWEISE" VOLLER DURCHGANG,
EINBAU ALS BODENABLASSKUGELHAHN

FROM BAR STOCK

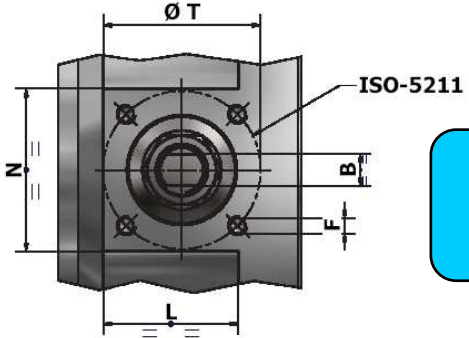
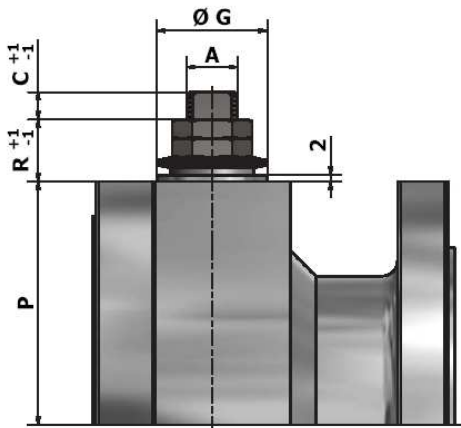
**VISUALIZZA 3D
 VIEW 3D**

<https://adlerspa.com/prodotti/fb8>

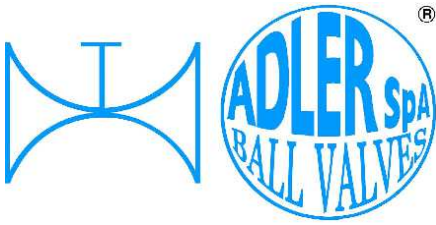


DN 65 PN 16 ESECUZIONE STANDARD CON 4 FORI
 SU RICHIESTA DISPONIBILE CON 8 FORI
 DN 65 PN 16 STANDARD EXECUTION WITH 4 HOLES
 ON REQUEST AVAILABLE WITH 8 HOLES

Per montaggio con guarnizioni spiralmetalliche, contattare Adler Spa.
 For assembling with spiral-wound gaskets, contact Adler Spa



**FLANGIA LATO SERBATOIO
 MAGGIORATA
 TANK SIDE FLANGE ONE ND
 BIGGER**



ISO 9001 by L.R.
 PED DIR. 2014/68/UE by L.R.
 ATEX DIR. 2014/34/UE by B.V.
 FIRE SAFE EXECUTION by L.R.
 ISO 15848 by TÜV
 ANTISTATIC DEVICE by L.R.
 FIRE SAFE TESTED ISO 10497 by L.R.
 EAC CERTIFICATION by B.V.

TYPE
FB8
 PN 10 ÷ 16

N.	DESCRIZIONE DESCRIPTION DESCRIPTION BESCHREIBUNG	MATERIALI MATERIALS MATERIAUX WERKSTOFFE
1	CORPO BODY CORPS MITTE	ASTM A479 316/316L
2	GHIERA INSERT EMBOUT GEWINDEDRUCKRING	ASTM A479 316/316L
3*	O-RING	FKM - (VITON)
4*	ANELLO SEAL ANNEAU DICHTUNGSRING	P.T.F.E.
5*	SEDE SEAT SIEGE SITZRING	P.T.F.E. R.P.T.F.E. (OPTIONAL)
6	SFERA BALL BOULE KUGEL	ASTM A479 316/316L ASTM A351 CF8M
7	DISPOSITIVO ANTISTATICO ANTISTATIC DEVICE CONTACT ANTISTATIQUE ANTISTATIK VORRICHTUNG	ASTM A479 316/316L
8	STELO STEM TIGE SPINDEL	ASTM A479 316/316L

N.	DESCRIZIONE DESCRIPTION DESCRIPTION BESCHREIBUNG	MATERIALI MATERIALS MATERIAUX WERKSTOFFE
9*	BUSSOLA STEM SEAL JOINT TIGE UNTERE SPINDELABDICHTUNG	P.T.F.E.
10*	PACCO A "V" CHEVRON RINGS JOINT A "V" 3 FACHE DACHMANSCHETTE	P.T.F.E. / GRAFITE P.T.F.E. / GRAPHITE P.T.F.E. / GRAPHIT
11	PREMIBUSSOLA PRESSING BUSH PRESSE RONDELLE STOPFBUCHSDRUCKRING	ASTM A479 304
12	MOLLE A TAZZA SPRING WASHERS RONDELLES BELLEVILLE TELLERFEDERN	C72/50Cr V4 ZINCATO - GALVANIZED - ZINGUE - VERZINKT X10CrNi18.8 ON REQUEST
13	VITE DI FERMO E FERMO PIN AND STOP PIN PLOINT ET PLOT D'ARRET ANSCHLAGBOLZEN	UNI3740 8.8 ZINCATO - GALVANIZED - ZINGUE - VERZINKT UNI 3951 A2-70 ON REQUEST
14	DADO - CONTRODADO NUT - LOCK NUT ECROU - CONTRE-ECROU MUTTER - KONTERMUTTER	UNI 3740 - 6S ZINCATO - GALVANIZED - ZINGUE - VERZINKT ASTM A479 304 ON REQUEST
15	LEVA WRENCH LEVIER HANDHEBEL	AISI 1010 CHROMED FOR S.S. VALVES PAINTED FOR C.S. VALVES ASTM A479 304 ON REQUEST
16		

* RICAMBI CONSIGLIATI - RECOMMENDED SPARE PARTS - PIECES DE RECHANGE CONSEILLEES - ERSATZTEIL EMPFEHLUNG

ON REQUEST P.T.F.E. AVAILABLE CERTIFIED BAM, FDA, MOCA

DIMENSIONI - DIMENSION - DIMENSIONS - ABMESSUNGEN

DN	10	15	20	25	32	40	50	65	80	100	125	150	200	250	300
AxB						16x10	16x10	16x10	22x14	30x18	30x18				
C						13	13	9	13	18	18				
D						30	38	45	52	64	75,5				
E						38	51	64	76	101	118				
F						M6	M6	M6	M8	M8	M10				
f						18	18	18	18	18	22				
ISO						F05	F05	F05	F07	F07	F10				
G						35	35	35	55	55	70				
H						112	122	180	200	235	250				
I						125	145	160	180	210	240				
LxN						48x53	43x53	Ø69	Ø90	Ø90	Ø124				
M						280	280	280	370	470	650				
P						62	72	125	137	161	175				
Q						19	20	18,5	18,5	20,5	20,5				
R						16	16	20	23	26	26				
S						95	115	130	140	155	202				
T						50	50	50	70	70	102				
U*						164,5	184,5	199,5	220	250	278				
Z						1	3	5	7	11	13,5				
~Kg						8,5	10,5								

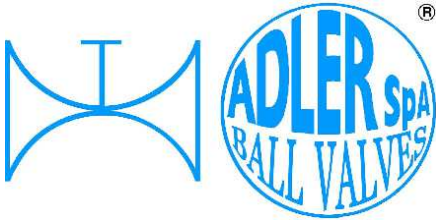
- DATI E CARATTERISTICHE SOGGETTI A VARIAZIONI SENZA PREAVVISO
- SPECIFICATIONS SUBJECT TO MODIFICATIONS WITHOUT PRIOR NOTICE
- TOUS DROITS DE MODIFICATION RESERVES
- KONSTRUKTIONÄNDERUNGEN VORBEHALTEN

PN 10÷16 (*) - ANSI 150

OPTION



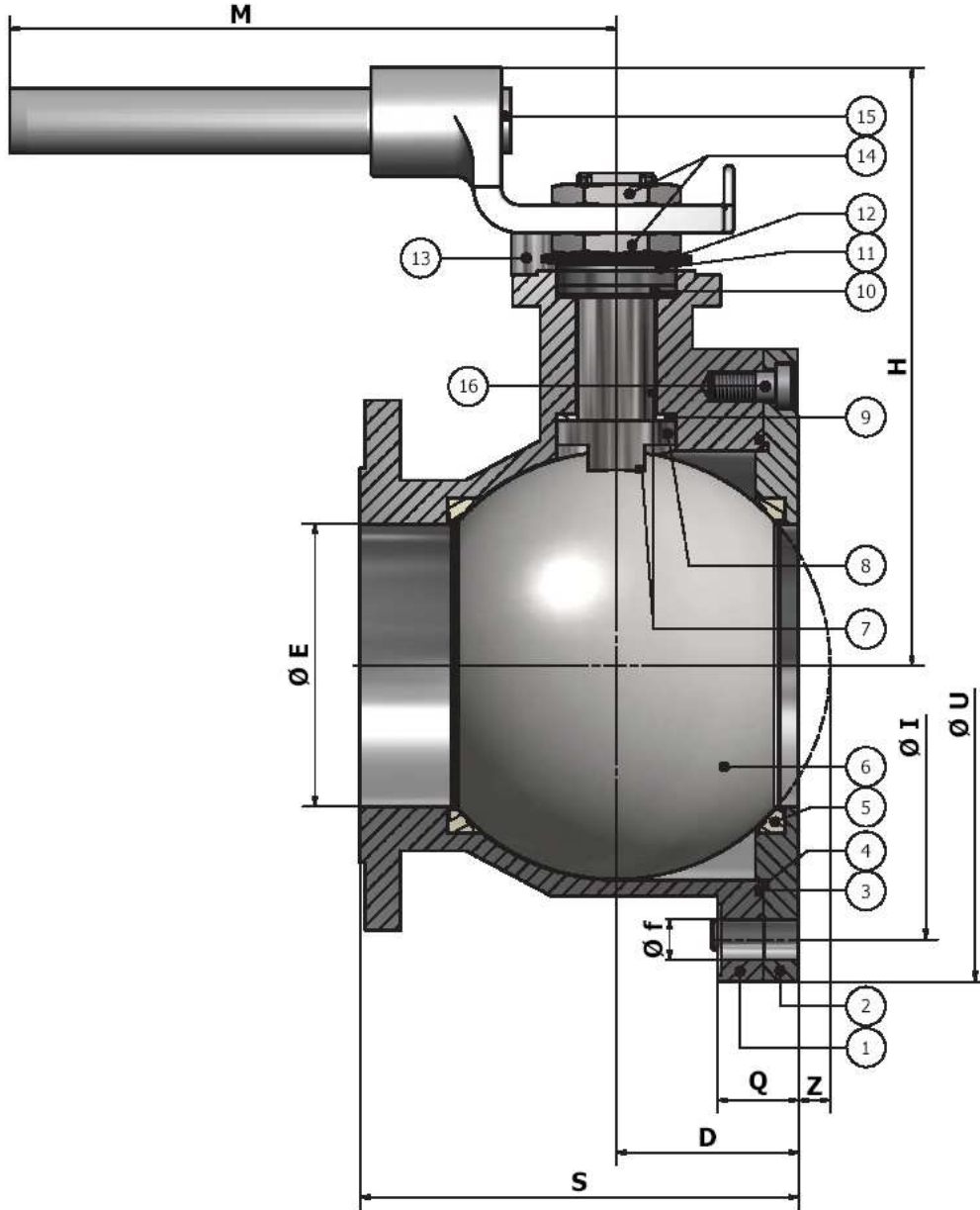
ADLER SpA - BALL VALVES
 20010 S. STEFANO TICINO (MI) ITALY V.le BORLETTI, 14 Tel. +39/02974842.11 FAX +39/0297271698
 E-mail: adler@adlerspa.com <http://www.adlerspa.com>



ISO 9001 by L.R.
 PED DIR. 2014/68/UE by L.R.
 ATEX DIR. 2014/34/UE by B.V.
 FIRE SAFE EXECUTION by L.R.
 ISO 15848 by TÜV
 ANTISTATIC DEVICE by L.R.
 FIRE SAFE TESTED ISO 10497 by L.R.
 EAC CERTIFICATION by B.V.

TYPE
FB8
 PN 10 ÷ 16

VALVOLA A SFERA "CORPO PIATTO" PASSAGGIO TOTALE, MONTAGGIO DI FONDO
 BALL VALVES "WAFER TYPE" FULL BORE, END TANK ASSEMBLING
 ROBINETS A BOISSEAU SPHERIQUE "WAFER" PASSAGE INTEGRAL,
 MONTAGE FOND DE CUVE
 FLANSCHKUGELHÄHNE IN "KOMPAKTBAUWEISE" VOLLER DURCHGANG,
 EINBAU ALS BODENABLASSKUGELHAHN

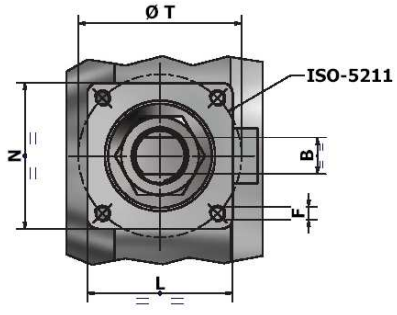
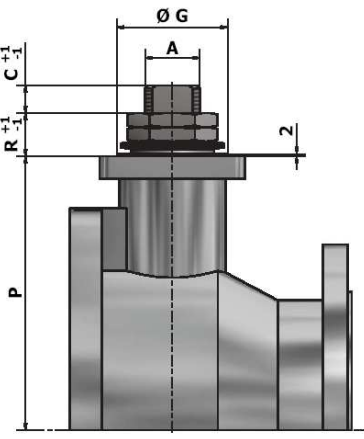


FROM CASTING

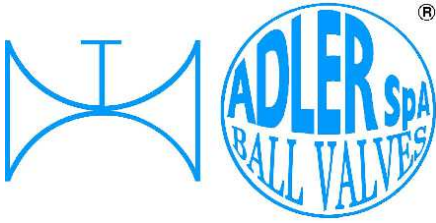
**VISUALIZZA 3D
 VIEW 3D**

<https://adlerspa.com/prodotti/fb8>

**FOR VALVES
 ND 150 AND
 ND 200
 FLANGED
 ALLOWED
 ONLY PN 10**



**FLANGIA LATO SERBATOIO
 MAGGIORATA
 TANK SIDE FLANGE ONE ND
 BIGGER**



ISO 9001 by L.R.
 PED DIR. 2014/68/UE by L.R.
 ATEX DIR. 2014/34/UE by B.V.
 FIRE SAFE EXECUTION by L.R.
 ISO 15848 by TÜV
 ANTISTATIC DEVICE by L.R.
 FIRE SAFE TESTED ISO 10497 by L.R.
 EAC CERTIFICATION by B.V.

TYPE
FB8
 PN 10 ÷ 16

N.	DESCRIZIONE DESCRIPTION DESCRIPTION BESCHREIBUNG	MATERIALI MATERIALS MATERIAUX WERKSTOFFE
1	CORPO BODY CORPS KÖRPER	ASTM A351 CF8M
2	GHIERA INSERT EMBOUT GEWINDEDRUCKRING	ASTM A351 CF8M
3*	O-RING	FKM - (VITON)
4*	ANELLO SEAL ANNEAU DICHTUNGSRING	P.T.F.E.
5*	SEDE SEAT SIEGE SITZRING	P.T.F.E. R.P.T.F.E. (OPTIONAL)
6	SFERA BALL BOULE KUGEL	ASTM A479 316/316L ASTM A351 CF8M
7	DISPOSITIVO ANTISTATICO ANTISTATIC DEVICE CONTACT ANTISTATIQUE ANTISTATIK VORRICHTUNG	ASTM A479 316/316L
8	STELO STEM TIGE SPINDEL	ASTM A479 316/316L

N.	DESCRIZIONE DESCRIPTION DESCRIPTION BESCHREIBUNG	MATERIALI MATERIALS MATERIAUX WERKSTOFFE
9*	BUSSOLA STEM SEAL JOINT TIGE UNTERE SPINDELABDICHTUNG	P.T.F.E.
10*	PACCO A "V" CHEVRON RINGS JOINT A "V" 3 FACHE DACHMANSCHETTE	P.T.F.E. / GRAFITE P.T.F.E. / GRAPHITE P.T.F.E. / GRAPHITE P.T.F.E. / GRAPHIT
11	PREMIBUSSOLA PRESSING BUSH PRESSE RONDELLE STOPFBUCHSDRUCKRING	ASTM A479 304
12	MOLLE A TAZZA SPRING WASHERS RONDELLES BELLEVILLE TELLERFEDERN	C72/50Cr V4 ZINCATO - GALVANIZED - ZINGUE - VERZINKT X10CrNi18.8 ON REQUEST
13	VITE DI FERMO E FERMO PIN AND STOP PIN PLOT ET PLOT D'ARRET ANSCHLAGBOLZEN	UNI3740 8.8 ZINCATO - GALVANIZED - ZINGUE - VERZINKT UNI 3951 A2-70 ON REQUEST
14	DADO - CONTRODADO NUT - LOCK NUT ECROU - CONTRE-ECROU MUTTER - KONTERMUTTER	UNI 3740 - 65 ZINCATO - GALVANIZED - ZINGUE - VERZINKT ASTM A479 304 ON REQUEST
15	LEVA WRENCH LEVIER HANDHEBEL	AISI 1010 CHROMED FOR S.S. VALVES PAINTED FOR C.S. VALVES ASTM A479 304 ON REQUEST
16	VITE SCREW VIST SCHRAUBE	UNI3740 8.8 ZINCATO - GALVANIZED ZINGUE - VERZINKT UNI 3951 A2-70 ON REQUEST

* RICAMBI CONSIGLIATI - RECOMMENDED SPARE PARTS - PIECES DE RECHANGE CONSEILLEES - ERSATZTEIL EMPFEHLUNG

ON REQUEST P.T.F.E. AVAILABLE CERTIFIED BAM, FDA, MOCA

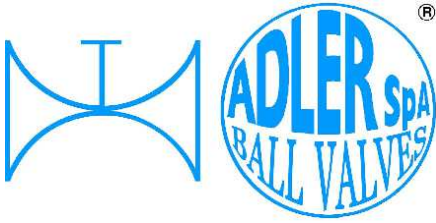
DIMENSIONI - DIMENSION - DIMENSIONS - ABMESSUNGEN

DN	10	15	20	25	32	40	50	65	80	100	125	150	200	250	300
AxB												42x28	48x32		
C												21	19		
D												98	119,5		
E												152	187		
F												M12	16		
f												22	22		
ISO												F12	F14		
G												85	100		
H												320	340		
I												295	350		
L=N												112	126		
M												750	900		
P												210	228		
Q												43,5	43		
R												34	37		
S												235	270		
T												125	140		
U												340	395		
Z												17,5	23		
~Kg															

- DATI E CARATTERISTICHE SOGGETTI A VARIAZIONI SENZA PREAVVISO
- SPECIFICATIONS SUBJECT TO MODIFICATIONS WITHOUT PRIOR NOTICE
- TOUS DROITS DE MODIFICATION RESERVES
- KONSTRUKTIONSÄNDERUNGEN VORBEHALTEN



ADLER SpA - BALL VALVES
 20010 S. STEFANO TICINO (MI) ITALY V.le BORLETTI, 14 Tel. +39/02974842.11 FAX +39/0297271698
 E-mail: adler@adlerspa.com <http://www.adlerspa.com>



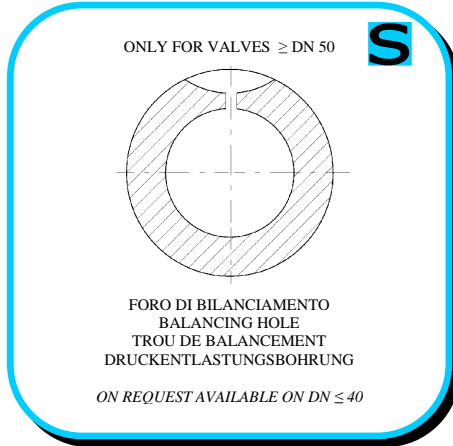
ISO 9001 by L.R.
 PED DIR. 2014/68/UE by L.R.
 ATEX DIR. 2014/34/UE by B.V.
 FIRE SAFE EXECUTION by L.R.
 ISO 15848 by TÜV
 ANTISTATIC DEVICE by L.R.
 FIRE SAFE TESTED ISO 10497 by L.R.
 EAC CERTIFICATION by B.V.

TYPE
FB8
 PN 10 ÷ 16

• ESECUZIONI • EXECUTIONS • EXECUTIONS • AUSFÜHRUNGEN



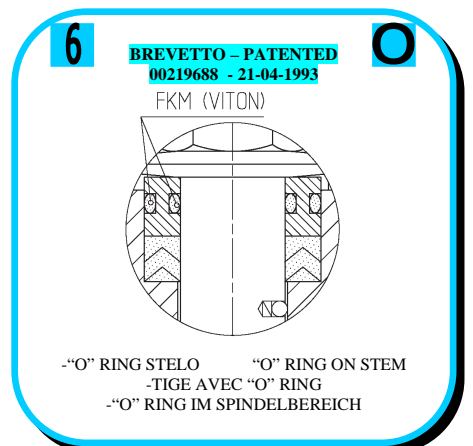
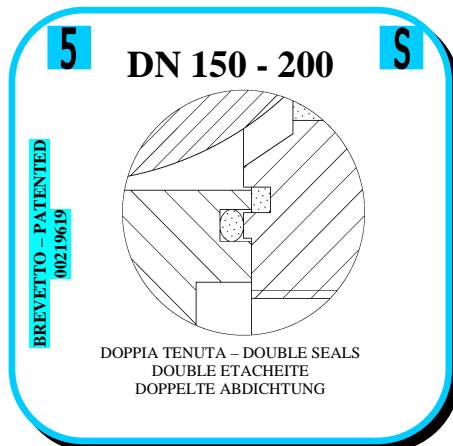
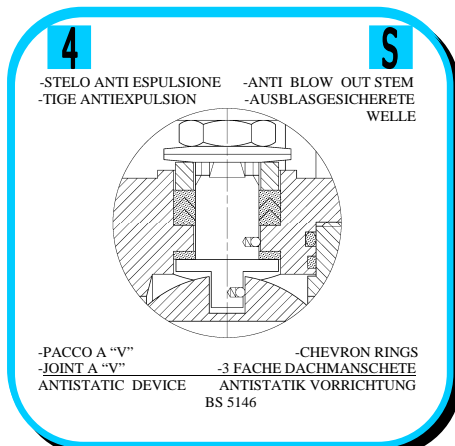
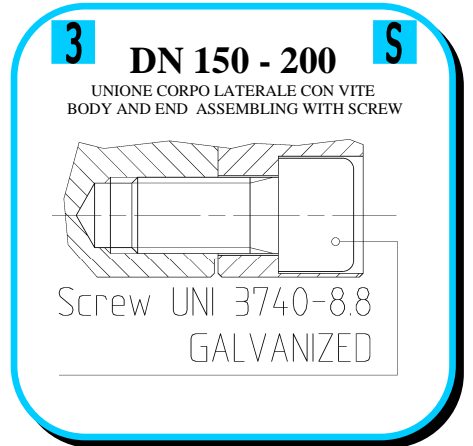
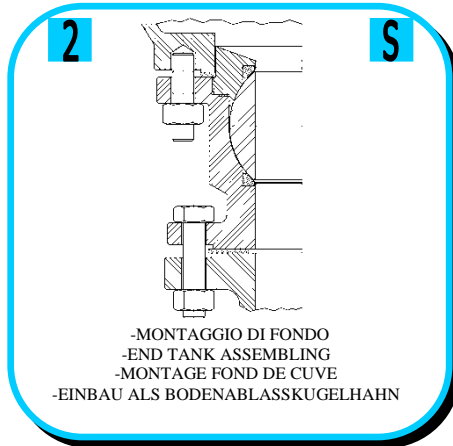
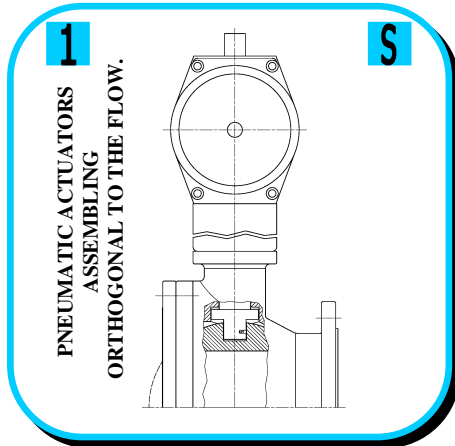
EXECUTION 4- 12

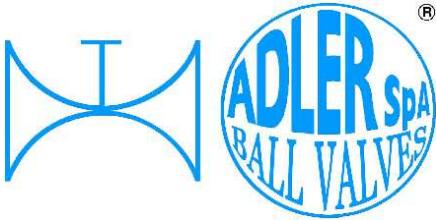


EXECUTION 6 - 16

S STANDARD

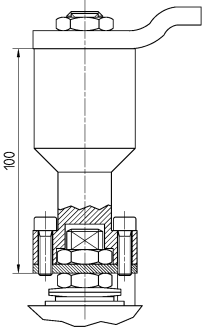
O OPTIONAL



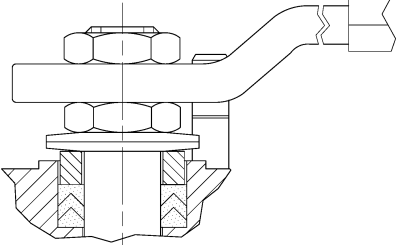


ISO 9001 by L.R.
 PED DIR. 2014/68/UE by L.R.
 ATEX DIR. 2014/34/UE by B.V.
 FIRE SAFE EXECUTION by L.R.
 ISO 15848 by TÜV
 ANTISTATIC DEVICE by L.R.
 FIRE SAFE TESTED ISO 10497 by L.R.
 EAC CERTIFICATION by B.V.

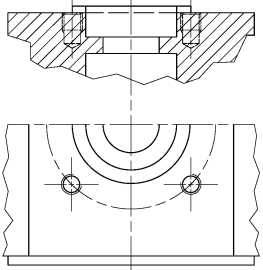
TYPE
FB8
 PN 10 ÷ 16

7 

-PROLUNGA STELO -STEM EXTENSION
 -TIGE PROLONGEE -SPINDELVERLÄNGERUNG

8 

-PARTICOLARI INOX
 -STAINLESS STEEL DETAILS
 -ACCESSOIRES EN INOX
 -EDELSTAHLTEILE

9 

-ATTACCO "ISO" -"ISO" CONNECTIONS
 -SYSTEM "ISO" -ANSCHLUSS "ISO"

**AQUILA - EAGLE - AIGLE
 ADLER**



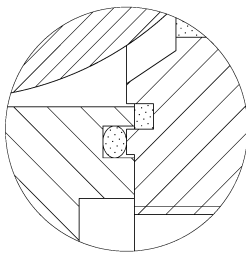
ADLER

UNA GAMMA COMPLETA
 PRIVILEGIANDO LA QUALITA'

A COMPLETE RANGE PRIVILEGING
 THE QUALITY

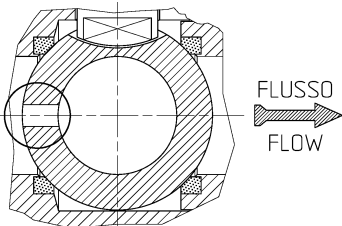
12 

FIRE SAFE
 ISO 10497 "ISO-FT"
 (BS 6755 / API 607)

13 

BREVETTO - PATENTED
 00219619

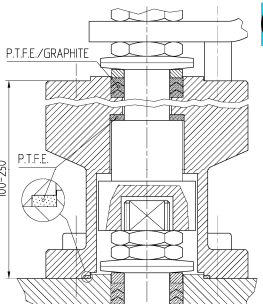
-DOPPIA TENUTA -DOUBLE SEALS
 -DOUBLE ETANCHEITE -DOPPELTE ABDICHTUNG
 -GHIERA A BATTUTA -METAL BEATING RING
 -EMBOUT AVEC BATTUE MECANIQUE
 -METALLISCHER ANSCHLAG DES
 GEWINDEDRÜCKRINGS

14 

VEDERE / SEE ANSI B16.34

FLUSSO
 FLOW

-FORO DI SCARICO NELLA SFERA
 -OVERPRESSURE HOLE INTO BALL
 -TROU DECOMPRESSION DANS LA BOULE
 -ENTLASTUNGSBOHRUNG IN DER KUGEL
**VALVOLA MONO DIREZIONALE
 MONO-DIRECTIONAL VALVE**

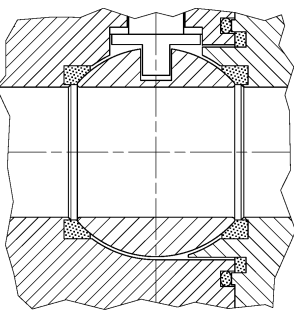
15 

P.T.F.E./GRAPHITE
 P.T.F.E.
 100-250

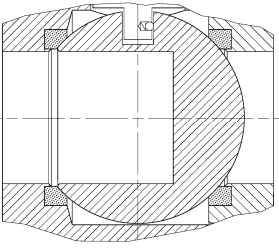
-SERVIZIO CRIOGENICO - CRYOGENIC SERVICE
 -SERVICE CRYOGENIQUE
 -TIEFTEMPORATUR SERVICE

16 

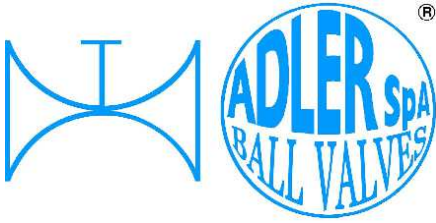
-FIRE SAFE ISO FT+ "O" RING STELO
 -FIRE SAFE ISO FT+ "O" RING ON STEM
 -SECURITE FEU ISO FT+ TIGE AVEC "O" RING
 -FEUERSICHERE AUSFÜHRUNG ISO FT+
 "O" RING IM SPINDELBEREICH

17 

-TENUTA INTEGRALE METALLICA
 -METALLIC POCKET LESS SEATS
 -TENUE INTEGRALE MATTALIQUE
 -TOTRAUMARM METALLISCHES

18 

-SFERA CIECA PER CAMPIONATURA
 -BLIND BALL FOR SAMPLING
 -PRISE-ECHANTILLON
 KUGEL FÜR PROBENAHME

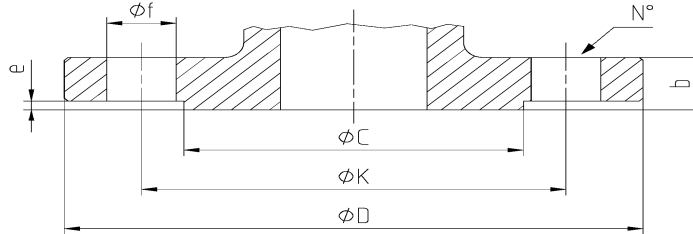


ISO 9001 by L.R.
 PED DIR. 2014/68/UE by L.R.
 ATEX DIR. 2014/34/UE by B.V.
 FIRE SAFE EXECUTION by L.R.
 ISO 15848 by TÜV
 ANTISTATIC DEVICE by L.R.
 FIRE SAFE TESTED ISO 10497 by L.R.
 EAC CERTIFICATION by B.V.

TYPE
FB8
 PN 10 ÷ 16

DIMENSIONI FLANGE UNI EN 1092-1 - FLANGE DIMENSION UNI EN 1092-1 - DIMENSIONS BRIDES UNI EN 1092-1
 FLANSCHANSCHLUSSMASSE UNI EN 1092-1

DIMENSIONI FLANGE ANSI B16.5 - FLANGE DIMENSION ANSI B16.5 - DIMENSIONS BRIDES ANSI B16.5
 FLANSCHANSCHLUSSMASSE ANSI B16.5



UNI EN 1092-1

DN	Ref.	10	15	20	25	32	40	50	65	80	100	125	150	200	250	300
PN 10	D						150	165	185	200	220	250	285	340		
	C						88	102	122	138	158	188	212	268		
	K						110	125	145	160	180	210	240	295		
	N°						4	4	4	8	8	8	8	8		
	f						18	18	18	18	18	18	22	22		
	b						18	18	18	20	20	22	22	24		
PN 16	e						3	3	3	3	3	3	3	3		
	D						150	165	185	200	220	250	285	340		
	C						88	102	122	138	158	188	212	268		
	K						110	125	145	160	180	210	240	295		
	N°						4	4	4	8	8	8	8	12		
	F						18	18	18	18	18	18	22	22		
b						18	18	18	20	20	22	22	24			
e						3	3	3	3	3	3	3	3			

ANSI B16.5

DN	Ref.	1/2"	3/4"	1"	1 1/4"	1 1/2"	2"	2 1/2"	3"	4"	5"	6"	8"	10"	12"
ANSI 150 RF	D					127	152.4	177.8	190.5	228.6	254	279.4	342.9		
	C					92	104.7	127	157.3	185.7	215.9	269.8	269.8		
	K					98.6	120.7	139.7	152.4	190.5	215.9	241.3	298.5		
	N°					4	4	4	4	8	8	8	8		
	f					19.1	19.1	19.1	19.1	19.1	22.4	22.4	22.4		
	b					17.6	19.1	22.4	23.9	23.9	23.9	25.4	28.5		
e					1.6	1.6	1.6	1.6	1.6	1.6	1.6	1.6			

