

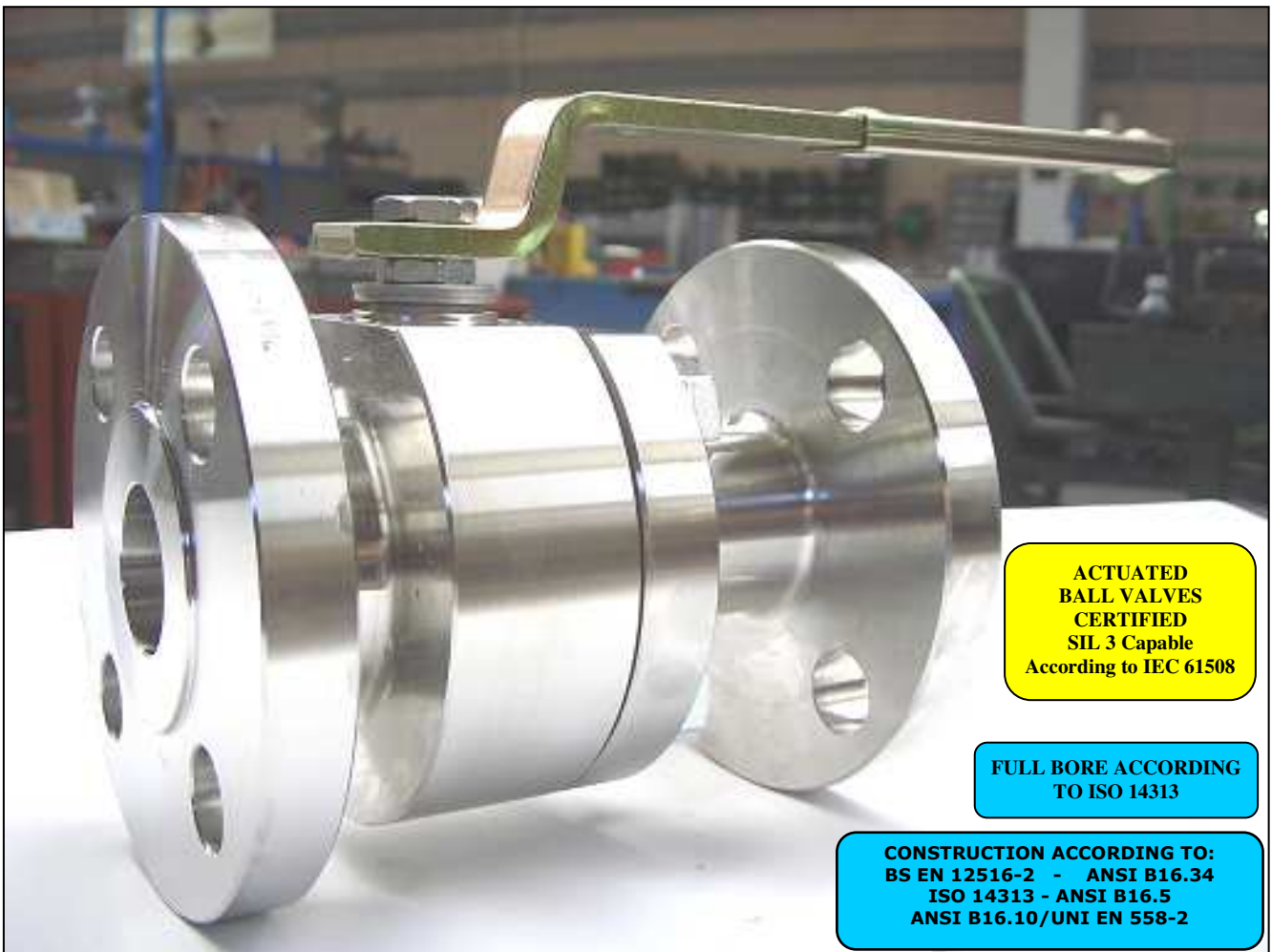


ISO 9001 by L.R.
PED DIR. 2014/68/UE by L.R.
ATEX DIR. 2014/34/UE by B.V.
FIRE SAFE EXECUTION BS6755/API 607 by L.R.
FIRE SAFE TESTED ISO 10497 by L.R.
ISO 15848 by TÜV
ANTISTATIC DEVICE by L.R.
EAC CERTIFICATION by B.V.

TYPE
FG2
ANSI 300

NORME E DIRETTIVE APPLICATE DISPONIBILI AL SEGUENTE LINK:
STANDARD AND DIRECTIVE APPLIED AVAILABLE AT FOLLOWING LINK:
http://www.adlerspa.com/pdf/NORME_ADLER.pdf

VALVOLE A SFERA "ANSI B16.10" SPLIT BODY PASSAGGIO TOTALE



ACTUATED
BALL VALVES
CERTIFIED
SIL 3 Capable
According to IEC 61508

FULL BORE ACCORDING
TO ISO 14313

CONSTRUCTION ACCORDING TO:
BS EN 12516-2 - ANSI B16.34
ISO 14313 - ANSI B16.5
ANSI B16.10/UNI EN 558-2

BALL VALVES
"ANSI B16.10" FULL BORE SPLIT BODY
ROBINETS A BOISSEAU SPHERIQUE
"ANSI B16.10" PASSAGE INTEGRAL 2 PIECES
FLANSCHKUGELHÄHNE IN "ANSI B16.10"
VOLLER DURCHGANG ZWEITEILIGES GEHÄUSE

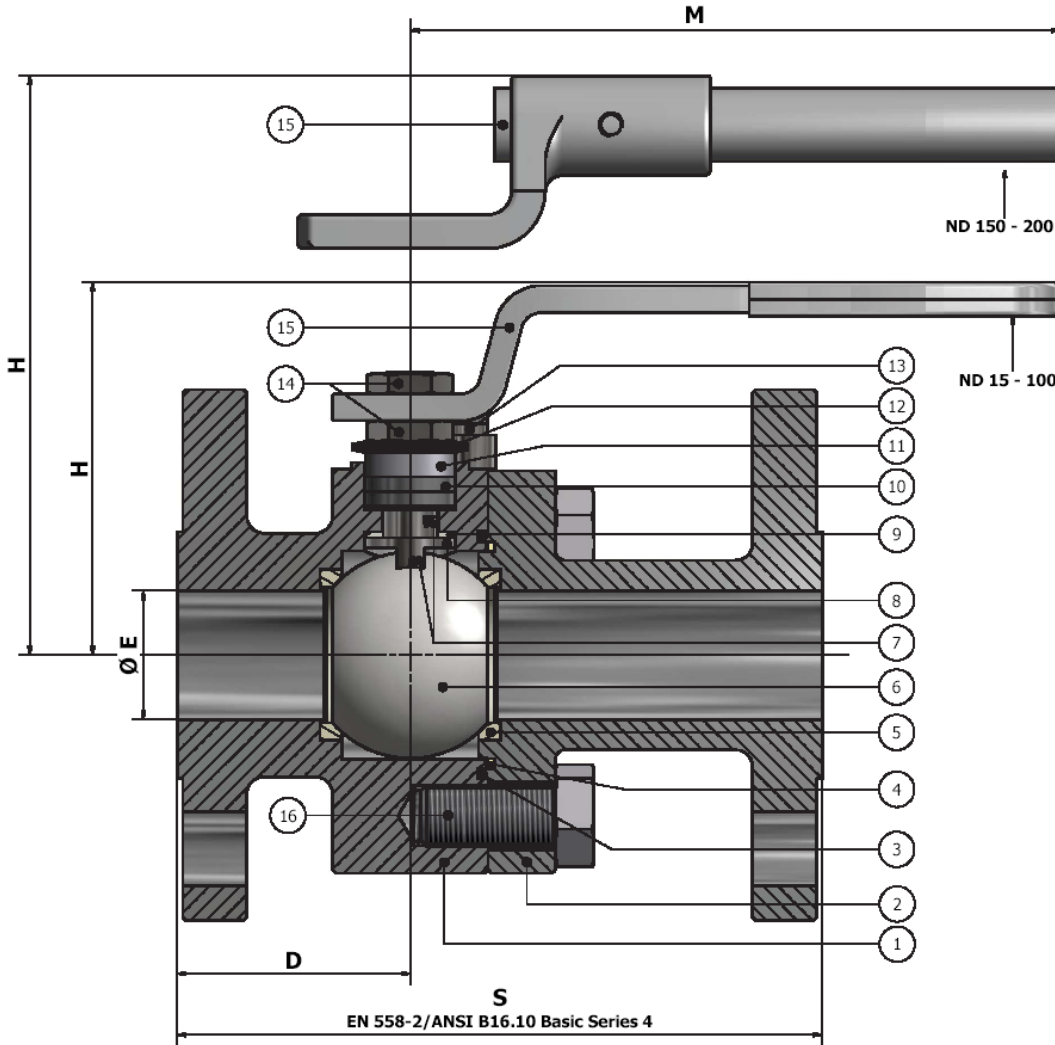
WEB SITE: WWW.ADLERSPA.COM



ISO 9001 by L.R.
 PED DIR. 2014/68/UE by L.R.
 ATEX DIR. 2014/34/UE by B.V.
 FIRE SAFE EXECUTION BS6755/API 607 by L.R.
 FIRE SAFE TESTED ISO 10497 by L.R.
 ISO 15848 by TÜV
 ANTISTATIC DEVICE by L.R.
 EAC CERTIFICATION by B.V.

TYPE
FG2
 ANSI 300

VALVOLA A SFERA "ANSI B 16.10" SPLIT BODY PASSAGGIO TOTALE
 BALL VALVES "ANSI B 16.10" SPLIT BODY FULL BORE
 ROBINETS A BOISSEAU SPHERIQUE "ANSI B 16.10" PASSAGE INTEGRAL 2 PIECES
 FLANSCHKUGELHÄHNE IN "ANSI B 16.10" VOLLER DURCHGANG ZWEIFTEILIGES GEHÄUSE



**VISUALIZZA 3D
 VIEW 3D**



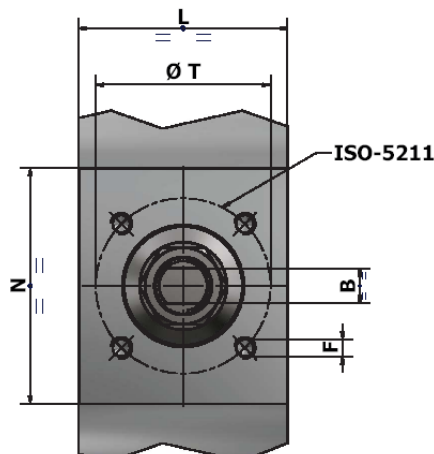
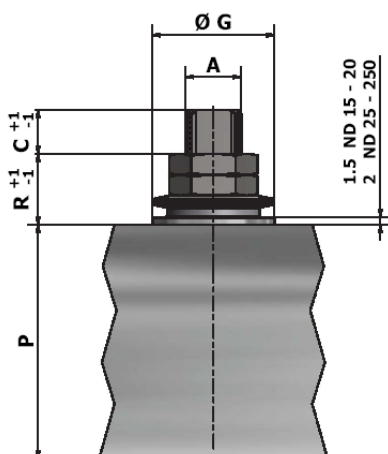
<https://adlerspa.com/prodotti/fg2>

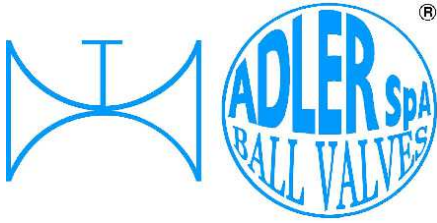
FLANGE DIMENSIONS
 according to
 EN 1092-1 or ANSI B16.5
 see table

<https://adlerspa.com/wp-content/uploads/2023/11/Tabella-dimensioni-flange-valvole-Adler.pdf>

DN 150 ÷ 250

-CONSIGLIATO
 RIDUTTORE MANUALE
 -MANUAL GEAR BOX
 SUGGESTED
 -REDUCTEUR MANUEL
 CONSEILLE
 -EMPFEHLEN WIR EIN
 HANDGETRIEBE





ISO 9001 by L.R.
 PED DIR. 2014/68/UE by L.R.
 ATEX DIR. 2014/34/UE by B.V.
 FIRE SAFE EXECUTION BS6755/API 607 by L.R.
 FIRE SAFE TESTED ISO 10497 by L.R.
 ISO 15848 by TÜV
 ANTISTATIC DEVICE by L.R.
 EAC CERTIFICATION by B.V.

TYPE
FG2
 ANSI 300

N.	DESCRIZIONE DESCRIPTION BESCHREIBUNG	MATERIALI MATERIALS WERKSTOFFE
1	CORPO BODY CORPS MITTE	ASTM A105 ASTM A479 304/304L ASTM A479 316/316L ASTM A 351 CF8M
2	LATERALE END LATERAL ENDE	ASTM A105 ASTM A479 304/304L ASTM A479 316/316L ASTM A 351 CF8M
3*	O-RING	FKM - (VITON)
4*	ANELLO SEAL ANNEAU DICHTUNGSRING	P.T.F.E.
5*	SEDE SEAT SIEGE SITZRING	R.P.T.F.E.
6	SFERA BALL BOULE KUGEL	ASTM A479 304/304L ASTM A351 CF8 ASTM A479 316/316L ASTM A351 CF8M
7	DISPOSITIVO ANTISTATICO ANTISTATIC DEVICE CONTACT ANTISTATIQUE ANTISTATIK VORRICHTUNG	ASTM A479 316/316L
8	STELO STEM TIGE SPINDEL	ASTM A479 304/304L ASTM A479 316/316L

N.	DESCRIZIONE DESCRIPTION BESCHREIBUNG	MATERIALI MATERIALS MATERIAUX WERKSTOFFE
9*	BUSSOLA STEM SEAL JOINT TIGE UNTERE SPINDELABDICHTUNG	P.T.F.E.
10*	PACCO A "V" CHEVRON RINGS JOINT A "V" 3 FACHE DACHMANSCHETTE	P.T.F.E. / GRAFITE P.T.F.E. / GRAPHITE P.T.F.E. / GRAPHITE P.T.F.E. / GRAPHIT
11	PREMIBUSSOLA PRESSING BUSH PRESSE RONDELLE STOPFBUCHSDRUCKRING	ASTM A479 304
12	MOLLE A TAZZA SPRING WASHERS RONDELLES BELLEVILLE TELLERFEDERN	C72/50Cr V4 ZINCATO - GALVANIZED - ZINGUE - VERZINKT X10CrNi18.8 ON REQUEST
13	VITE DI FERMO E FERMO PIN AND STOP PIN PLONT ET PLOT D'ARRET ANSCHLAGBOLZEN	UNI 3740 8.8 ZINCATO - GALVANIZED - ZINGUE - VERZINKT UNI 3951 A2-70 ON REQUEST
14	DADO - CONTRODADO NUT - LOCK NUT ECROU - CONTRE-ECROU MUTTER - KONTERMUTTER	UNI 3740 - 6S ZINCATO - GALVANIZED ZINGUE - VERZINKT ASTM A479 304 ON REQUEST
15	LEVA WRENCH LEVIER HANDHEBEL	AISI 1010 GALVANIZED AND PAINTED FOR S.S. VALVES PAINTED FOR C.S. VALVES ASTM A479 304 ON REQUEST
16	VITE SCREW VIS SCHRAUBE	UNI 3740 8.8 ZINCATO - GALVANIZED - ZINGUE - VERZINKT UNI 3951 A2-70 ON REQUEST

* RICAMBI CONSIGLIATI - RECOMMENDED SPARE PARTS - PIECES DE RECHANGE CONSEILLEES - ERSATZTEIL EMPFEHLUNG

ON REQUEST P.T.F.E. AVAILABLE CERTIFIED BAM, FDA, MOCA

DIMENSIONI - DIMENSION - DIMENSIONS - ABMESSUNGEN

DN	15	20	25	32	40	50	65	80	100	125	150	200	250	300
A	10	10	12	12	16	16	22	22	30		42	48	56	
B	6	6	8	8	10	10	14	14	18		28	32	36	
C	7	7	10	10	10	10	12	12	17		19	20	20	
D	57,5	58,5	59,5	71	69	82	89	109	94		154	180,5	S/2	
E	15	19	25	30	38	51	64	76	101		152	203	254	
F	M5	M5	M5	M5	M6	M6	M8	M8	M8		M12	M16	M20	
ISO	F03	F03	F03	F03	F05	F05	F07	F07	F07		F12	F14	F16	
G	25	25	25	25	35	35	55	55	55		85	100	130	
H	86	88	113	119	110	120	144	152	174		256	294	/	
L	34	33	34	43	46	48	65	77	65		143,5	180	180	
M	145	145	185	185	280	280	370	370	650		750	900	/	
N	50	48	54	73	67	64	79	80	94		125	123	153	
P	32,5	35	41	46,5	55	65	82	90,5	99,5		144	183	229	
R	8	8	17	17	20	20	24	24	26		34	37	45	
S	140	151	165	179	191	216	241	283	305		403	502	570	
T	36	36	36	36	50	50	70	70	70		125	140	165	
Kg	4	5,2	6,8	11	14	19	28	38	54		130	190	220	
Kg											82	130		

- DATI E CARATTERISTICHE SOGGETTI A VARIAZIONI SENZA PREAVVISO
- SPECIFICATIONS SUBJECT TO MODIFICATIONS WITHOUT PRIOR NOTICE
- TOUS DROITS DE MODIFICATION RESERVES
- KONSTRUKTIONSÄNDERUNGEN VORBEHALTEN

ASTM A105

ASTM A 351 CF8M

ANSI 300

ON REQUEST



ADLER SpA - BALL VALVES
 20010 S. STEFANO TICINO (MI) ITALY V.le BORLETTI, 14 Tel. +39/02974842.11 FAX +39/0297271698
 E-mail: adler@adlerspa.com <http://www.adlerspa.com>



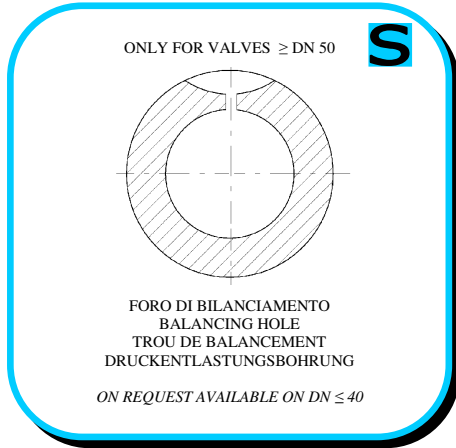
ISO 9001 by L.R.
 PED DIR. 2014/68/UE by L.R.
 ATEX DIR. 2014/34/UE by B.V.
 FIRE SAFE EXECUTION BS6755/API 607 by L.R.
 FIRE SAFE TESTED ISO 10497 by L.R.
 ISO 15848 by TÜV
 ANTISTATIC DEVICE by L.R.
 EAC CERTIFICATION by B.V.

TYPE
FG2
 ANSI 300

· ESECUZIONI · EXECUTIONS · EXECUTIONS · AUSFÜHRUNGEN



EXECUTION 4- 12



EXECUTION 6 - 16

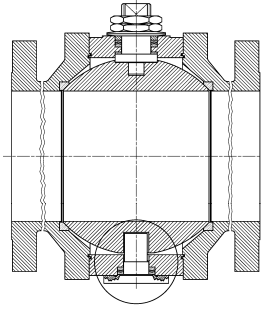
S STANDARD

O OPTIONAL

VALVOLE CERTIFICATE S.I.L. 3
 VALVES CERTIFIED S.I.L. 3



2 ONLY FOR DN 250 **S**

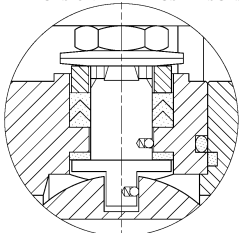


3 **O**
STAINLESS STEEL
 ASTM A479 304
 DN 15 ÷ 100

ASTM A351 CF8
 DN 150 ÷ 300

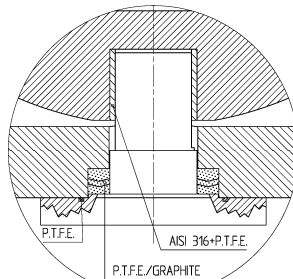
4 **S**

-STELO ANTI ESPULSIONE -ANTI BLOW OUT STEM
 -TIGE ANTIEXPULSION -AUSBLASGESICHERTE WELLE



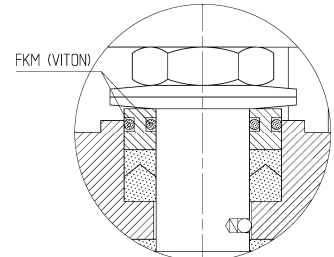
-PACCO A "V" -CHEVRON RINGS
 -JOINT A "V" -3 FACHE DACHMANSCHETE
 ANTISTATIC DEVICE ANTISTATIK VORRICHTUNG
 BS 5146

5 ONLY FOR DN 250 **S**



PIVOT EXECUTION

6 **O**
 BREVETTO - PATENTED
 00219688




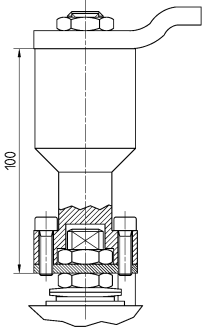
-“O” RING STELO “O” RING ON STEM
 -TIGE AVEC “O” RING
 -“O” RING IM SPINDELBEREICH




ISO 9001 by L.R.
 PED DIR. 2014/68/UE by L.R.
 ATEX DIR. 2014/34/UE by B.V.
 FIRE SAFE EXECUTION BS6755/API 607 by L.R.
 FIRE SAFE TESTED ISO 10497 by L.R.
 ISO 15848 by TÜV
 ANTISTATIC DEVICE by L.R.
 EAC CERTIFICATION by B.V.

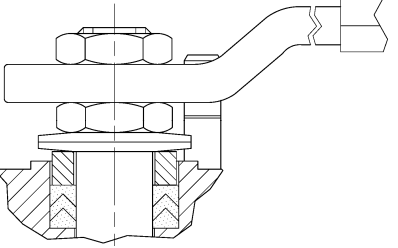
TYPE
FG2
 ANSI 300

7 




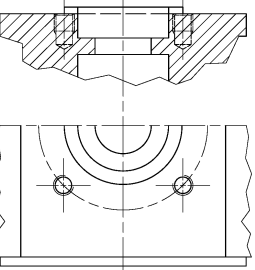
-PROLUNGA STELO -STEM EXTENSION
 -TIGE PROLONGEE -SPINDELVERLÄNGERUNG

8 




-PARTICOLARI INOX
 -STAINLESS STEEL DETAILS
 -ACCESSOIRES EN INOX
 -EDELSTAHLTEILE


9 

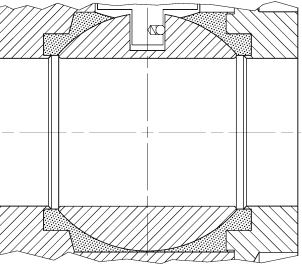


-ATTACCO "ISO" -"ISO" CONNECTIONS
 -SYSTEM "ISO" -ANSCHLUSS "ISO"

10 

PN
25 ÷ 40

11 




-TENUTE INTEGRALE -POCKETLESS SEATS
 -TENUE INTEGRALE -TOTRAUMARM
 -P.T.F.E. / R.T.F.E.

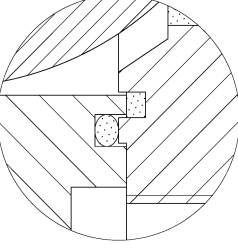
12 

FIRE SAFE
 ISO 10497 "ISO-FT"
 (BS 6755 / API 607)




13 

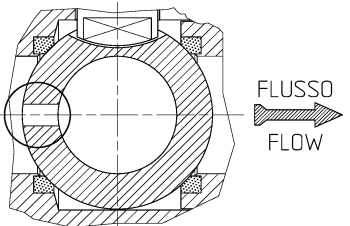
BREVETTO - PATENTED
 00219619



-DOPPIA TENUTA -DOUBLE SEALS
 -DOUBLE ETANCHEITE -DOPPELTE ABDICHTUNG
 -LATERALE A BATTUTA -METAL BEATING END
 -LATERAL AVEC BATTUE MECANIQUE
 -METALLISCHER ANSCHLAG DES
 GEGENGEHÄUSES


14 

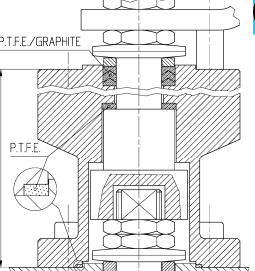
VEDERE / SEE ANSI B16.34



FLUSSO
 FLOW

-FORO DI SCARICO NELLA SFERA
 -OVERPRESSURE HOLE INTO BALL
 -TROU DECOMPRESSION DANS LA BOULE
 -ENTLASTUNGSBOHRUNG IN DER KUGEL
 VALVOLA MONO DIREZIONALE
 MONO-DIRECTIONAL VALVE

15 




P.T.F.E./GRAPHITE
 100-250
 P.T.F.E.

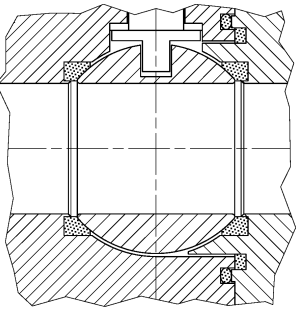
-SERVIZIO CRIOGENICO - CRYOGENIC SERVICE
 -SERVICE CRYOGÉNIQUE
 -TIEFTEMPORATUR SERVICE

16 



-FIRE SAFE ISO FT+ "O" RING STELO
 -FIRE SAFE ISO FT+ "O" RING ON STEM
 -SECURITE FEU ISO FT+ TIGE AVEC "O" RING
 -FEUERSICHERE AUSFÜHRUNG ISO FT+
 "O" RING IM SPINDELBEREICH

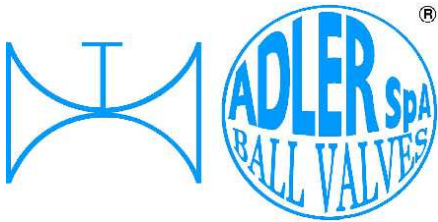
17 



-TENUTA INTEGRALE METALLICA
 -METALLIC POCKET LESS SEATS
 -TENUE INTEGRALE METALLIQUE
 -TOTRAUMARM METALLISCH

**GEAR BOX
 AG SERIES**

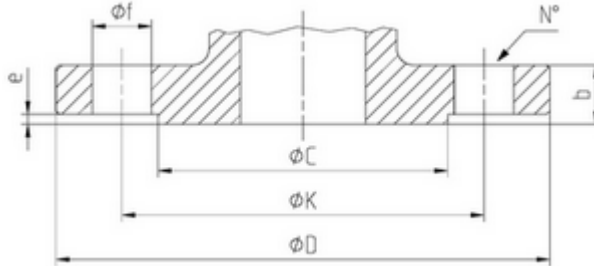




ISO 9001 by L.R.
 PED DIR. 2014/68/UE by L.R.
 ATEX DIR. 2014/34/UE by B.V.
 FIRE SAFE EXECUTION BS6755/API 607 by L.R.
 FIRE SAFE TESTED ISO 10497 by L.R.
 ISO 15848 by TÜV
 ANTISTATIC DEVICE by L.R.
 EAC CERTIFICATION by B.V.

TYPE
FG2
 ANSI 300

DIMENSIONI FLANGE - FLANGE DIMENSION - DIMENSIONS BRIDES - FLANSCHANSCHLUSSMASSE



ANSI B16.5

DN	Ref.	1/2"	3/4"	1"	1 1/4"	1 1/2"	2"	2 1/2"	3"	4"	5"	6"	8"	10"	12"	
ANSI 300 RF	D	95.3	117.4	124	133.4	155.5	165.1	190.5	209.6	254	279.4	317.5	381	444.5	520.7	
	C	35.1	43	50.8	63.5	73.2	92	104.7	127	157.3	185.7	215.9	269.8	323.9	381	
	K	66.5	82.6	88.9	98.6	114.3	127	149.4	168.1	200.2	134.9	269.7	330.2	387.4	450.9	
	N°	4	4	4	4	4	8	8	8	8	8	12	12	16	16	
	f	15.8	19.1	19.1	19.1	22.4	19.1	22.4	22.4	22.4	22.4	22.4	22.4	25.4	28.5	31.8
	b	14.3	15.8	17.6	19.1	20.6	22.4	25.4	28.5	31.8	35.1	36.6	41.2	47.8	50.8	
	e	1.6	1.6	1.6	1.6	1.6	1.6	1.6	1.6	1.6	1.6	1.6	1.6	1.6	1.6	1.6

EN 1092-1 (OPTIONAL)

DN	Ref.	10	15	20	25	32	40	50	65	80	100	125	150	200	250	300
PN 25	D	90	95	105	115	140	150	165	185	200	235	270	300	360	425	
	C	40	45	58	68	78	88	102	122	138	162	188	218	278	335	
	K	60	65	75	85	100	110	125	145	160	190	220	250	310	370	
	N°	4	4	4	4	4	4	4	8	8	8	8	8	12	12	
	f	14	14	14	14	18	18	18	18	18	22	26	26	26	30	
	b	16	16	18	18	18	18	20	22	24	24	26	28	30	32	
	e	2	2	2	2	2	3	3	3	3	3	3	3	3	3	
PN 40	D	90	95	105	115	140	150	165	185	200	235	270	300	375	450	
	C	40	45	58	68	78	88	102	122	138	162	188	218	285	345	
	K	60	65	75	85	100	110	125	145	160	190	220	250	320	385	
	N°	4	4	4	4	4	4	4	8	8	8	8	8	12	12	
	f	14	14	14	14	18	18	18	18	18	22	26	26	30	33	
	b	16	16	18	18	18	18	20	22	24	24	26	28	34	38	
	e	2	2	2	2	2	3	3	3	3	3	3	3	3	3	

* n°8 fori

