

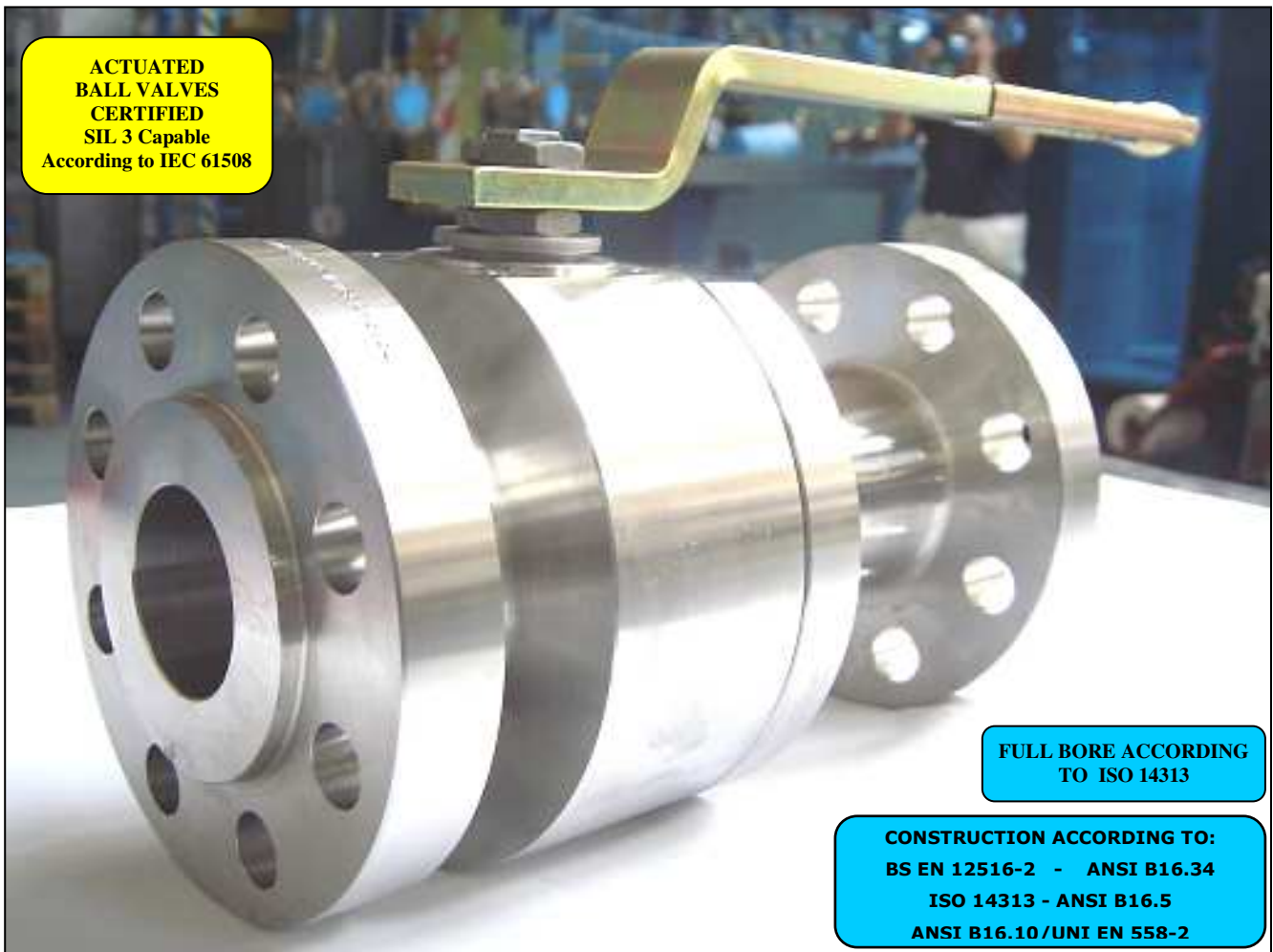


ISO 9001 by L.R.
PED DIR. 2014/68/UE by L.R.
ATEX DIR. 2014/34/UE by B.V.
FIRE SAFE EXECUTION BS6755/API 607 by L.R.
FIRE SAFE TESTED ISO 10497 by L.R.
ISO 15848 by TÜV
ANTISTATIC DEVICE by L.R.
EAC CERTIFICATION by B.V.

TYPE
FH2
ANSI 600

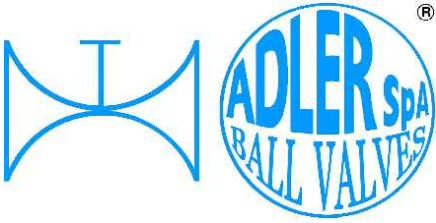
NORME E DIRETTIVE APPLICATE DISPONIBILI AL SEGUENTE LINK:
STANDARD AND DIRECTIVE APPLIED AVAILABLE AT FOLLOWING LINK:
http://www.adlerspa.com/pdf/NORME_ADLER.pdf

VALVOLE A SFERA "ANSI B16.10" SPLIT BODY PASSAGGIO TOTALE



BALL VALVES
"ANSI B16.10" FULL BORE SPLIT BODY
ROBINETS A BOISSEAU SPHERIQUE
"ANSI B16.10" PASSAGE INTEGRAL 2 PIECES
FLANSCHKUGELHÄHNE IN "ANSI B16.10"
VOLLER DURCHGANG ZWEITEILIGES GEHÄUSE

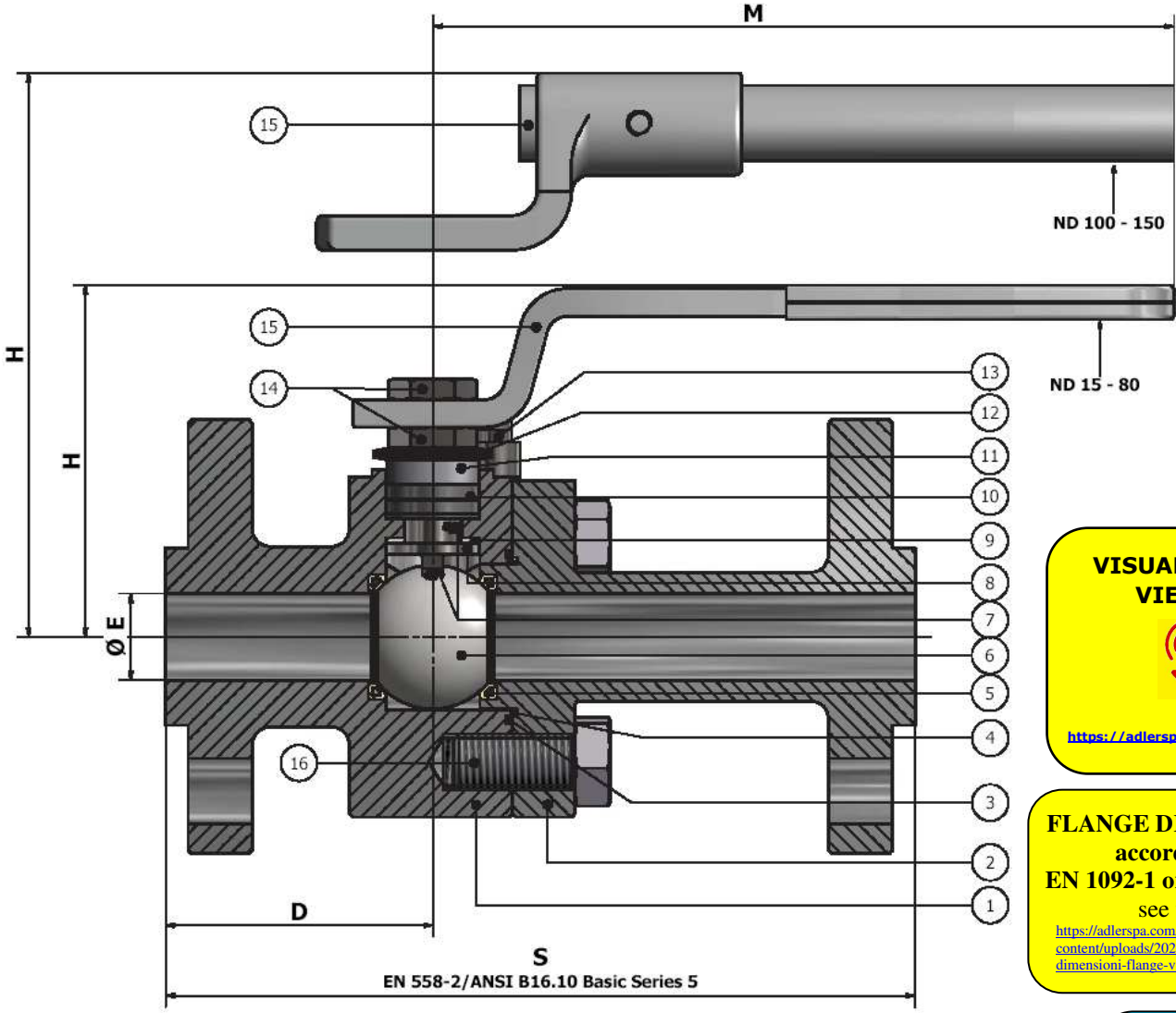
WEB SITE: WWW.ADLERSPA.COM



ISO 9001 by L.R.
 PED DIR. 2014/68/UE by L.R.
 ATEX DIR. 2014/34/UE by B.V.
 FIRE SAFE EXECUTION BS6755/API 607 by L.R.
 FIRE SAFE TESTED ISO 10497 by L.R.
 ISO 15848 by TÜV
 ANTISTATIC DEVICE by L.R.
 EAC CERTIFICATION by B.V.

TYPE
FH2
 ANSI 600

VALVOLA A SFERA "ANSI B 16.10" SPLIT BODY PASSAGGIO TOTALE
 BALL VALVES "ANSI B 16.10" SPLIT BODY FULL BORE
 ROBINETS A BOISSEAU SPHERIQUE "ANSI B 16.10" PASSAGE INTEGRAL 2 PIECES
 FLANSCHKUGELHÄHNE IN "ANSI B 16.10" VOLLER DURCHGANG ZWEIFTEILIGES GEHÄUSE



**VISUALIZZA 3D
 VIEW 3D**

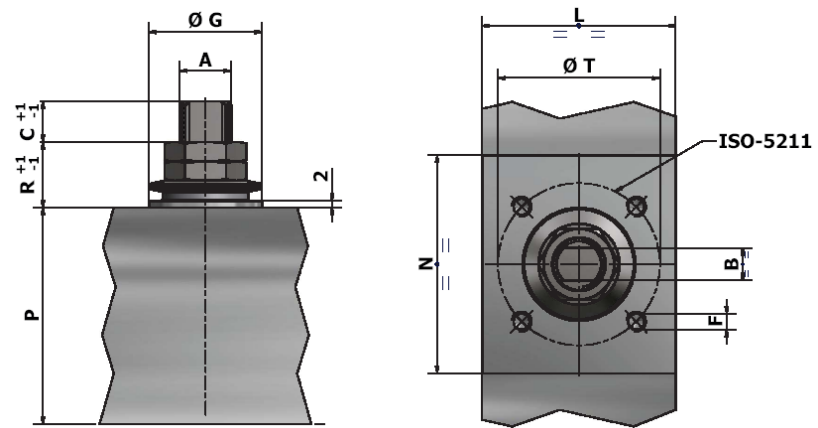
<https://adlerspa.com/prodotti/fh2>

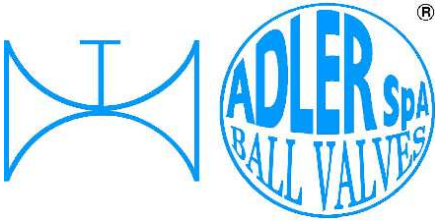
FLANGE DIMENSIONS
 according to
EN 1092-1 or ANSI B16.5
 see table

<https://adlerspa.com/wp-content/uploads/2023/11/Tabella-dimensioni-flange-valvole-Adler.pdf>

DN 150

- CONSIGLIATO
- RIDUTTORE MANUALE
- MANUAL GEAR BOX
- SUGGESTED
- REDUCTEUR MANUEL
- CONSEILLE
- EMPFEHLEN WIR EIN
- HANDGETRIEBE





ISO 9001 by L.R.
 PED DIR. 2014/68/UE by L.R.
 ATEX DIR. 2014/34/UE by B.V.
 FIRE SAFE EXECUTION BS6755/API 607 by L.R.
 FIRE SAFE TESTED ISO 10497 by L.R.
 ISO 15848 by TÜV
 ANTISTATIC DEVICE by L.R.
 EAC CERTIFICATION by B.V.

TYPE
FH2
 ANSI 600

N.	DESCRIZIONE DESCRIPTION BESCHREIBUNG	MATERIALI MATERIAUX WERKSTOFFE
1	CORPO BODY CORPS MITTE	ASTM A105 ASTM A479 304/304L ASTM A479 316/316L ASTM A 351 CF8M
2	LATERALE END LATERAL ENDE	ASTM A105 ASTM A479 304/304L ASTM A479 316/316L ASTM A 351 CF8M
3*	O-RING	FKM - (VITON)
4*	ANELLO SEAL ANNEAU DICHTUNGSRING	P.T.F.E.
5*	SEDE RINFORZATA SEAT REINFORCED SIEGE RENFORCE SITZRING VERSTÄRKT	P.T.F.E. / STAINLESS STEEL
6	SFERA BALL BOULE KUGEL	ASTM A479 304/304L ASTM A351 CF8 ASTM A479 316/316L ASTM A351 CF8M
7	DISPOSITIVO ANTISTATICO ANTISTATIC DEVICE CONTACT ANTISTATIQUE ANTISTATIK VORRICHTUNG	ASTM A479 316/316L
8	STELO STEM TIGE SPINDEL	ASTM A479 304/304L ASTM A479 316/316L

N.	DESCRIZIONE DESCRIPTION BESCHREIBUNG	MATERIALI MATERIAUX WERKSTOFFE
9*	BUSSOLA STEM SEAL JOINT TIGE UNTERE SPINDELABDICHTUNG	P.T.F.E.
10*	PACCO A "V" CHEVRON RINGS JOINT A "V" 3 FACHE DACHMANSCHETTE	P.T.F.E. / GRAFITE P.T.F.E. / GRAPHITE P.T.F.E. / GRAPHITE P.T.F.E. / GRAPHIT
11	PREMIBUSSOLA PRESSING BUSH PRESSE RONDELLE STOPFBUCHSDRUCKRING	ASTM A479 304
12	MOLLE A TAZZA SPRING WASHERS RONDELLES BELLEVILLE TELLERFEDERN	C72/50Cr V4 ZINCATO - GALVANIZED - ZINGUE - VERZINKT X10CrNi18.8 ON REQUEST
13	VITE DI FERMO E FERMO PIN AND STOP PIN PLOINT ET PLOT D'ARRET ANSCHLAGBOLZEN	UNI3740 8.8 ZINCATO - GALVANIZED - ZINGUE - VERZINKT UNI 3951 A2-70 ON REQUEST
14	DADO - CONTRODADO NUT - LOCK NUT ECROU - CONTRE-ECROU MUTTER - KONTERMUTTER	UNI 3740 - 6S ZINCATO - GALVANIZED ZINGUE - VERZINKT ASTM A479 304 ON REQUEST
15	LEVA WRENCH LEVIER HANDHEBEL	AISI 1010 GALVANIZED AND PAINTED FOR S.S. VALVES ASTM A479 304 PAINTED FOR C.S. VALVES ON REQUEST
16	VITE SCREW VIS SCHRAUBE	UNI 3740 8.8 ZINCATO - GALVANIZED - ZINGUE - VERZINKT UNI 3951 A2-70 ON REQUEST

* RICAMBI CONSIGLIATI - RECOMMENDED SPARE PARTS - PIECES DE RECHANGE CONSEILLEES - ERSATZTEIL EMPFEHLUNG

ON REQUEST P.T.F.E. AVAILABLE CERTIFIED BAM, FDA, MOCA

DIMENSIONI - DIMENSION - DIMENSIONS - ABMESSUNGEN

DN	15	20	25	32	40	50	65	80	100	125	150	200	250	300
A	12	12	16		22	22		30	42		48			
B	8	8	10		14	14		18	28		32			
C	8,5	8,5	10		12	12		16,5	19		20			
D	65,5	78,5	77		99	98,5		155	180		194			
E	15	19	25		38	51		76	101		152			
F	M5	M5	M6		M8	M8		M8	M12		M16			
ISO	F03	F03	F05		F07	F07		F07	F12		F14			
G	25	25	35		55	55		55	85		100			
H	104	106	100		128	138		170	224,5		267			
L	38	47	47		65	67		110	150		139			
M	185	185	280		370	370		470	750		900			
N	43	66	48		70	70		72	120		135			
P	35,5	37,5	46		66,5	76,5		97	113		163			
R	14	14	20		23	23		26	34		27			
S	165	191	216		241	292		356	432		559			
T	36	36	50		70	70		70	125		140			
Kg	5,5	7,4	9		18,5	25		50	92		210			
Kg											130			

- DATI E CARATTERISTICHE SOGGETTI A VARIAZIONI SENZA PREAVVISO
- SPECIFICATIONS SUBJECT TO MODIFICATIONS WITHOUT PRIOR NOTICE
- TOUS DROITS DE MODIFICATION RESERVES
- KONSTRUKTIONSÄNDERUNGEN VORBEHALTEN

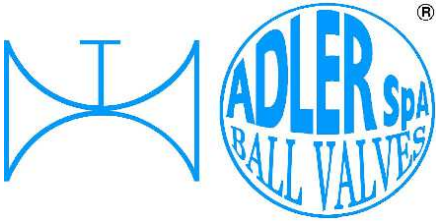
ASTM A105

ASTM A 351 CF8M

ANSI 600



ADLER SpA - BALL VALVES
 20010 S. STEFANO TICINO (MI) ITALY V.le BORLETTI, 14 Tel. +39/02974842.11 FAX +39/0297271698
 E-mail: adler@adlerspa.com <http://www.adlerspa.com>



ISO 9001 by L.R.
 PED DIR. 2014/68/UE by L.R.
 ATEX DIR. 2014/34/UE by B.V.
 FIRE SAFE EXECUTION BS6755/API 607 by L.R.
 FIRE SAFE TESTED ISO 10497 by L.R.
 ISO 15848 by TÜV
 ANTISTATIC DEVICE by L.R.
 EAC CERTIFICATION by B.V.

TYPE
FH2
 ANSI 600

· ESECUZIONI · EXECUTIONS · EXECUTIONS · AUSFÜHRUNGEN



EXECUTION 4- 12

ONLY FOR VALVES \geq DN 50 **S**

FORO DI BILANCIAMENTO
 BALANCING HOLE
 TROU DE BALANCEMENT
 DRUCKENTLASTUNGSBOHRUNG

ON REQUEST AVAILABLE ON DN \leq 40



EXECUTION 6 - 16

S STANDARD

O OPTIONAL

**VALVOLE CERTIFICATE S.I.L. 3
 VALVES CERTIFIED S.I.L. 3**

2 ON REQUEST O

STAINLESS STEEL
ASTM A479 304
DN 15 ÷ 100

ASTM A351 CF8
DN 150 ÷ 300

FIRE SAFE ISO FT CERTIFICATE

4 S

-STELO ANTI ESPULSIONE -ANTI BLOW OUT STEM
 -TIGE ANTIEXPULSION -AUSBLASGESICHERETE WELLE

-PACCO A "V" -CHEVRON RINGS
 -JOINT A "V" -3 FACHE DACHMANSCHETE
 ANTISTATIC DEVICE ANTISTATIK VORRICHTUNG
 BS 5146

TOLLERANCE CHECK 10⁻⁴

6 BREVETTO - PATENTED O
 00219688 - 21-04-1993
 FKM (VITON)

-"O" RING STELO "O" RING ON STEM
 -TIGE AVEC "O" RING
 -"O" RING IM SPINDELBEREICH



ISO 9001 by L.R.
 PED DIR. 2014/68/UE by L.R.
 ATEX DIR. 2014/34/UE by B.V.
 FIRE SAFE EXECUTION BS6755/API 607 by L.R.
 FIRE SAFE TESTED ISO 10497 by L.R.
 ISO 15848 by TÜV
 ANTISTATIC DEVICE by L.R.
 EAC CERTIFICATION by B.V.

TYPE
FH2
 ANSI 600

7 **O**

-PROLUNGA STELO -STEM EXTENSION
 -TIGE PROLONGEE -SPINDELVERLÄNGERUNG

8 **O**

-PARTICOLARI INOX
 -STAINLESS STEEL DETAILS
 -ACCESSOIRES EN INOX
 -EDELSTAHLTEILE

9 **S**

-ATTACCO "ISO" -"ISO" CONNECTIONS
 -SYSTEM "ISO" -ANSCHLUSS "ISO"

AQUILA - EAGLE - AIGLE
 ADLER

CRYOGENIC VALVES ON SERVICE

12 **O**

FIRE SAFE
 ISO 10497 "ISO-FT"
 (BS 6755 / API 607)

13 **S**

BREVETTO - PATENTED
 002/19619

-DOPPIA TENUTA -DOUBLE SEALS
 -DOUBLE ETANCHEITE -DOPPELTE ABDICHTUNG
 -LATERALE A BATTUTA -METAL BEATING END
 -LATERAL AVEC BATTUE MECANIQUE
 -METALLISCHER ANSCHLAG DES GEGENGEHÄUSES

14 **O**

VEDERE / SEE ANSI B16.34

FLUSSO
 FLOW

-FORO DI SCARICO NELLA SFERA
 -OVERPRESSURE HOLE INTO BALL
 -TROU DECOMPRESSION DANS LA BOULE
 -ENTLASTUNGSBOHRUNG IN DER KUGEL
 VALVOLA MONO DIREZIONALE
 MONO-DIRECTIONAL VALVE

15 **O**

P.T.F.E./GRAPHITE
 P.T.F.E.
 100-250

- SERVIZIO CRIOGENICO - CRYOGENIC SERVICE
 - SERVICE CRYOGENIQUE
 - TIEFTEMPORATUR SERVICE

16 **O**

-FIRE SAFE ISO FT+ "O" RING STELO
 -FIRE SAFE ISO FT+ "O" RING ON STEM
 -SECURITE FEU ISO FT+ TIGE AVEC "O" RING
 -FEUERSICHERE AUSFÜHRUNG ISO FT+ "O" RING IM SPINDELBEREICH

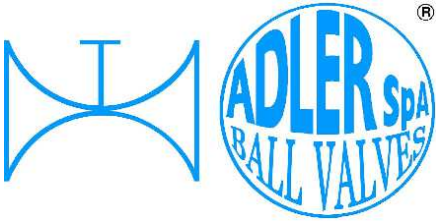
17 **O**

-TENUTA INTEGRALE METALLICA
 -METALLIC POCKET LESS SEATS
 -TENUE INTEGRALE METALLIQUE
 -TOTRAUMARM METALLISCH

ADLER

UNA GAMMA COMPLETA
 PRIVILEGIANDO LA QUALITA'

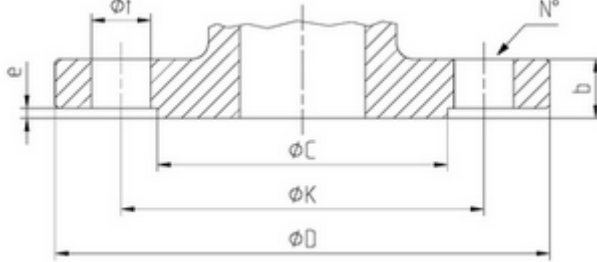
A COMPLETE RANGE PRIVILEGING
 THE QUALITY



ISO 9001 by L.R.
 PED DIR. 2014/68/UE by L.R.
 ATEX DIR. 2014/34/UE by B.V.
 FIRE SAFE EXECUTION BS6755/API 607 by L.R.
 FIRE SAFE TESTED ISO 10497 by L.R.
 ISO 15848 by TÜV
 ANTISTATIC DEVICE by L.R.
 EAC CERTIFICATION by B.V.

TYPE
FH2
 ANSI 600

DIMENSIONI FLANGE - FLANGE DIMENSION - DIMENSIONS BRIDES - FLANSCHANSCHLUSSMASSE



ANSI B16.5

DN	Ref.	1/2"	3/4"	1"	1 1/4"	1 1/2"	2"	2 1/2"	3"	4"	5"	6"	8"	10"	12"
ANSI 600 RF	D	95.3	117.4	133.4	133.4	155.5	165.1	190.5	209.6	273.1	330.2	355.6	419.1	508	558.8
	C	35.1	43	63.5	63.5	73.2	92	104.7	127	157.3	185.7	215.9	269.8	323.9	381
	K	66.5	82.6	98.6	98.6	114.3	127	149.4	168.1	215.9	266.7	292.1	349.3	431.8	489
	N°	4	4	4	4	4	8	8	8	8	8	12	12	16	20
	f	15.8	19.1	19.1	19.1	22.4	19.1	22.4	22.4	25.4	28.5	28.5	31.8	35.1	35.1
	b	20.7	22.2	27	27	28.8	31.8	34.9	38.2	44.5	50.9	54.2	62.1	69.9	73
e	6.4	6.4	6.4	6.4	6.4	6.4	6.4	6.4	6.4	6.4	6.4	6.4	6.4	6.4	6.4

