

ISO 9001 by L.R.  
PED DIR. 2014/68/UE by L.R.  
ATEX DIR. 2014/34/UE by B.V.  
FIRE SAFE EXECUTION BS6755/API 607 by L.R.  
FIRE SAFE TESTED ISO 10497 by L.R.  
ISO 15848 by TÜV  
ANTISTATIC DEVICE by L.R.  
EAC CERTIFICATION by B.V.

TYPE  
**FJ2**  
PN 10 ÷ 40

NORME E DIRETTIVE APPLICATE DISPONIBILI AL SEGUENTE LINK:  
STANDARD AND DIRECTIVE APPLIED AVAILABLE AT FOLLOWING LINK:  
[http://www.adlerspa.com/pdf/NORME\\_ADLER.pdf](http://www.adlerspa.com/pdf/NORME_ADLER.pdf)

## **VALVOLE A SFERA "UNI EN 558-1" SPLIT BODY PASSAGGIO TOTALE CON CAMICIA DI RISCALDAMENTO**



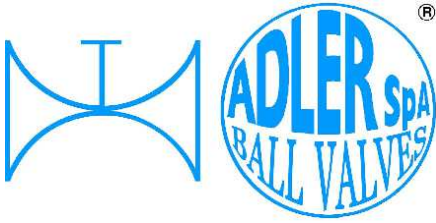
ACTUATED  
BALL VALVES  
CERTIFIED  
SIL 3 Capable  
According to IEC 61508

FULL BORE ACCORDING  
TO ISO 14313

CONSTRUCTION ACCORDING TO:  
BS EN 12516-2 - ISO 14313  
UNI EN 558-1

**BALL VALVES**  
**"UNI EN 558-1" FULL BORE SPLIT BODY WITH HEATING JACKET**  
**ROBINETS A BOISSEAU SPHERIQUE**  
**"UNI EN 558-1" PASSAGE INTEGRAL 2 PIECES AVEC ENVELOPPE**  
**FLANSCHKUGELHÄHNE IN "UNI EN 558-1"**  
**VOLLER DURCHGANG ZWEIFTEILIGES GEHÄUSE MIT HEIZMANTEL**

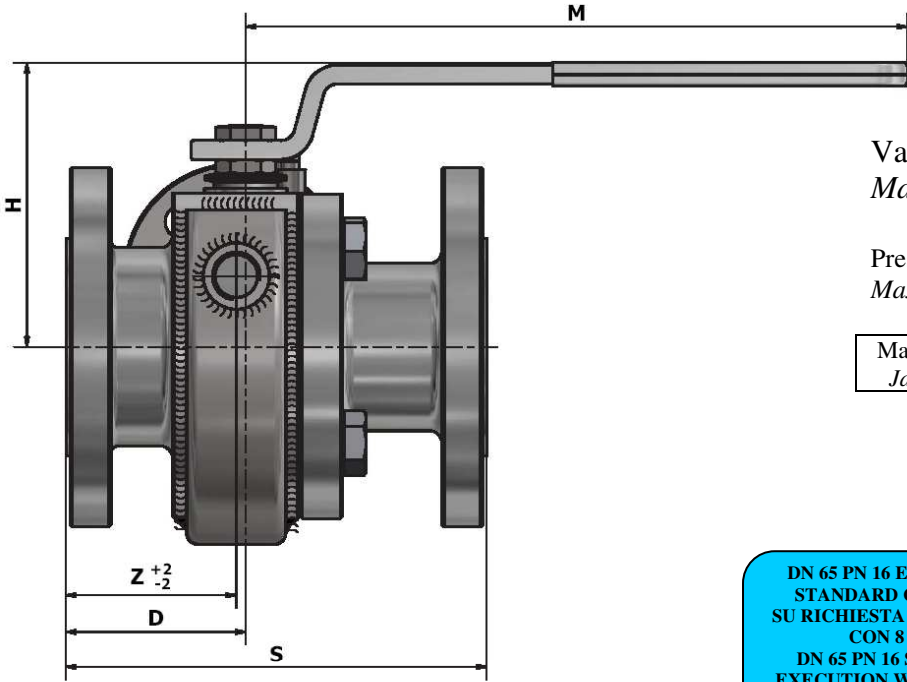
WEB SITE: [WWW.ADLERSPA.COM](http://WWW.ADLERSPA.COM)



ISO 9001 by L.R.  
 PED DIR. 2014/68/UE by L.R.  
 ATEX DIR. 2014/34/UE by B.V.  
 FIRE SAFE EXECUTION BS6755/API 607 by L.R.  
 FIRE SAFE TESTED ISO 10497 by L.R.  
 ISO 15848 by TÜV  
 ANTISTATIC DEVICE by L.R.  
 EAC CERTIFICATION by B.V.

TYPE  
**FJ2**  
 PN 10 ÷ 40

VALVOLA A SFERA "UNI EN 558-1" SPLIT BODY PASSAGGIO TOTALE CON CAMICIA DI RISCALDAMENTO  
 BALL VALVES "UNI EN 558-1" SPLIT BODY FULL BORE WITH HEATING JACKET  
 ROBINETS A BOISSEAU SPHERIQUE "UNI EN 558-1" PASSAGE INTEGRAL 2 PIECES AVEC ENVELOPPE  
 FLANSCHKUGELHÄHNE IN "UNI EN 558-1" VOLLER DURCHGANG ZWEIFTEILIGES GEHÄUSE MIT HEIZMANTEL



Valvola base FM2  
 Main Ball Valve FM2

Pressione massima di lavoro nelle camicie 10 bar  
 Maximum working pressure for jacket 10 bar

Materiale camicia	CARBON STEEL (STANDARD)
Jacket material	STAINLESS STEEL (OPTIONAL)

DN 65 PN 16 ESECUZIONE STANDARD CON 4 FORI SU RICHIESTA DISPONIBILE CON 8 FORI  
 DN 65 PN 16 STANDARD EXECUTION WITH 4 HOLES ON REQUEST AVAILABLE WITH 8 HOLES

**VISUALIZZA 3D VIEW 3D**

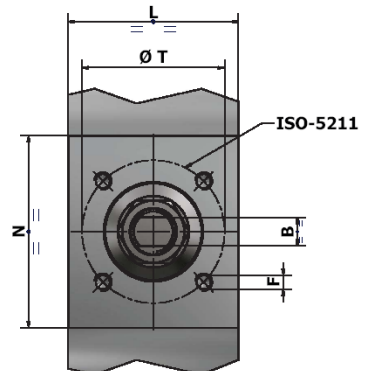
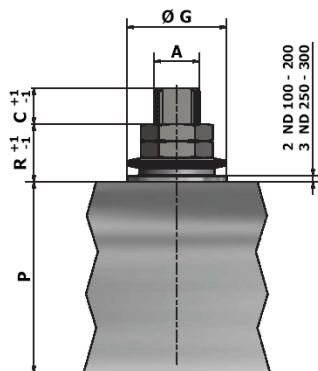
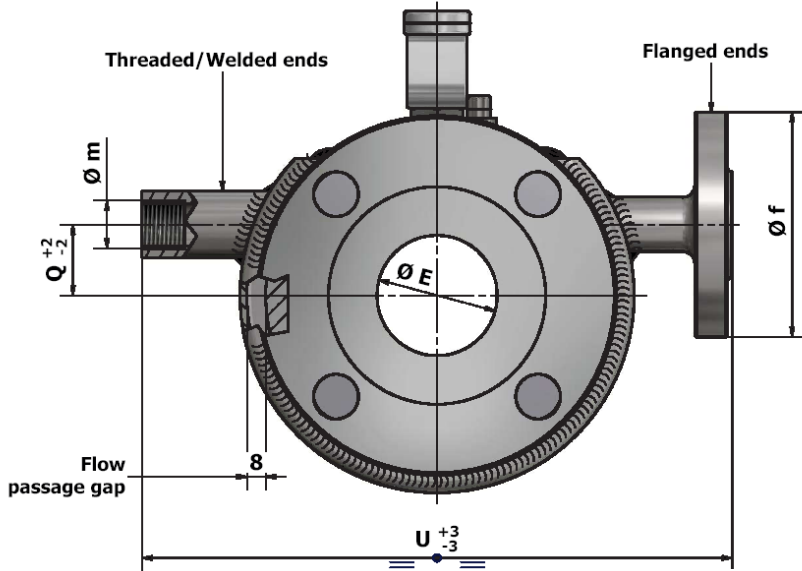
<https://adlerspa.com/prodotti/fj2>

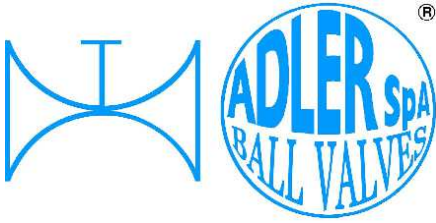
**FLANGE DIMENSIONS according to EN 1092-1 or ANSI B16.5 see table**

<https://adlerspa.com/wp-content/uploads/2023/11/Tabella-dimensioni-flange-valvole-Adler.pdf>

**DN 200 ÷ 300**

- CONSIGLIATO RIDUTTORE MANUALE
- MANUAL GEAR BOX SUGGESTED
- REDUCTEUR MANUEL CONSEILLE
- EMPFEHLEN WIR EIN HANDGETRIEBE





ISO 9001 by L.R.  
 PED DIR. 2014/68/UE by L.R.  
 ATEX DIR. 2014/34/UE by B.V.  
 FIRE SAFE EXECUTION BS6755/API 607 by L.R.  
 FIRE SAFE TESTED ISO 10497 by L.R.  
 ISO 15848 by TÜV  
 ANTISTATIC DEVICE by L.R.  
 EAC CERTIFICATION by B.V.

TYPE  
**FJ2**  
 PN 10 ÷ 40

N.	DESCRIZIONE DESCRIPTION DESCRIPTION BESCHREIBUNG	MATERIALI MATERIALS MATERIAUX WERKSTOFFE
1	CORPO BODY CORPS MITTE	ASTM A105 ASTM A479 304/304L ASTM A479 316/316L ASTM A 351 CF8M
2	LATERALE END LATERAL ENDE	ASTM A105 ASTM A479 304/304L ASTM A479 316/316L ASTM A 351 CF8M
3*	O-RING	FKM - (VITON)
4*	ANELLO SEAL ANNEAU DICHTUNGSRING	P.T.F.E.
5*	SEDE SEAT SIEGE SITZRING	P.T.F.E. + 15% FIBERGLASS
6	SFERA BALL BOULE KUGEL	ASTM A479 304/304L ASTM A351 CF8 ASTM A479 316/316L ASTM A351 CF8M
7	DISPOSITIVO ANTISTATICO ANTISTATIC DEVICE CONTACT ANTISTATIQUE ANTISTATIK VORRICHTUNG	ASTM A479 316/316L
8	STELO STEM TIGE SPINDEL	ASTM A479 304/304L ASTM A479 316/316L

N.	DESCRIZIONE DESCRIPTION DESCRIPTION BESCHREIBUNG	MATERIALI MATERIALS MATERIAUX WERKSTOFFE
9*	BUSSOLA STEM SEAL JOINT TIGE UNTERE SPINDELABDICHTUNG	P.T.F.E.
10*	PACCO A "V" CHEVRON RINGS JOINT A "V" 3 FACHE DACHMANSCHETTE	P.T.F.E. / GRAFITE P.T.F.E. / GRAPHITE P.T.F.E. / GRAPHITE P.T.F.E. / GRAPHIT
11	PREMIBUSSOLA PRESSING BUSH PRESSE RONDELLE STOPFBUCHSDRUCKRING	ASTM A479 304
12	MOLLE A TAZZA SPRING WASHERS RONDELLES BELLEVILLE TELLERFEDERN	C72/50Cr V4 ZINCATO - GALVANIZED - ZINGUE - VERZINKT X10CrNi18.8 ON REQUEST
13	VITE DI FERMO E FERMO PIN AND STOP PIN PLONT ET PLOT D'ARRET ANSCHLAGBOLZEN	UNI 3740 8.8 ZINCATO - GALVANIZED - ZINGUE - VERZINKT UNI 3951 A2-70 ON REQUEST
14	DADO - CONTRODADO NUT - LOCK NUT ECROU - CONTRE-ECROU MUTTER - KONTERMUTTER	UNI 3740 - 6S ZINCATO - GALVANIZED ZINGUE - VERZINKT ASTM A479 304 ON REQUEST
15	LEVA WRENCH LEVIER HANDHEBEL	AISI 1010 CHROMED FOR S.S. VALVES PAINTED FOR C.S. VALVES ASTM A479 304 ON REQUEST
16	VITE SCREW VIS SCHRAUBE	UNI 3740 8.8 ZINCATO - GALVANIZED - ZINGUE - VERZINKT UNI 3951 A2-70 ON REQUEST

\* RICAMBI CONSIGLIATI - RECOMMENDED SPARE PARTS - PIECES DE RECHANGE CONSEILLEES - ERSATZTEIL EMPFEHLUNG  
 ON REQUEST P.T.F.E. AVAILABLE CERTIFIED BAM, FDA, MOCA

### DIMENSIONI - DIMENSION - DIMENSIONS - ABMESSUNGEN

DN	15	20	25	32	40	50	65	80	100	125	150	200	250	300
A	10	10	12	12	16	16	22	22	30	30	42	48	56	56
B	6	6	8	8	10	10	14	14	18	18	28	32	36	36
C	7	7	10	10	10	10	12	12	16,5	16,5	19	20	20	20
D	49	51,5	50	51,5	59	61,5	70,5	73	85	100	144	180.5	196	237
D											117	155		
E	15	19	25	30	38	51	64	76	101	118	152	203	254	305
F	M5	M5	M5	M5	M6	M6	M8	M8	M8	M10	M12	M16	M20	M20
f	DN 15 PN 16							DN 25 PN 16						
ISO	F03	F03	F03	F03	F05	F05	F07	F07	F07	F10	F12	F14	F16	F16
G	25	25	25	25	35	35	55	55	55	70	85	100	130	130
H	86	88	113	119	110	120	144	152	174	188	256	294	343	381
L	35	35	35	35	46,5	46,5	64,5	64,5	72	93	111	130	153	153
M	145	145	185	185	280	280	370	370	470	650	750	900	1000	1000
m	Ø1/2" GAS							Ø1" GAS						
N	58	58	58	58	72,5	72,5	90	90	70	97	108	126	153	153
P	33,7	36	49,3	54,8	64,8	74,8	93,5	102	99,5	119	144	183	220	258,5
Q	/	/	/	25	30	30	45	50	70	80	95	130	160	190
R	7	7	9	9	10	10	11	11	26	26	34	37	45	45
S	115	120	125	130	140	150	170	180	190	325	350	400	450	500
T	36	36	36	36	50	50	70	70	70	102	125	140	165	165
U	170	180	190	210	230	250	270	300	340	360	420	500	600	650
Z	49	51,5	51	53	60	62	72	74	85	100	144	180	196	237
Kg	4	5	6,5	8,5	11,5	15	23	28	33	63	100	161	220	260
Kg										52	74	125	180	205

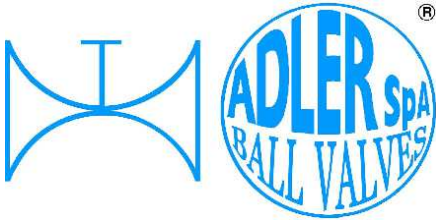
- DATI E CARATTERISTICHE SOGGETTI A VARIAZIONI SENZA PREAVVISO
- SPECIFICATIONS SUBJECT TO MODIFICATIONS WITHOUT PRIOR NOTICE
- TOUS DROITS DE MODIFICATION RESERVES
- KONSTRUKTIONSÄNDERUNGEN VORBEHALTEN

ASTM A105

ASTM A 351 CF8M



ADLER SpA - BALL VALVES  
 20010 S. STEFANO TICINO (MI) ITALY V.le BORLETTI, 14 Tel. +39/02974842.11 FAX +39/0297271698  
 E-mail: [adler@adlerspa.com](mailto:adler@adlerspa.com) <http://www.adlerspa.com>



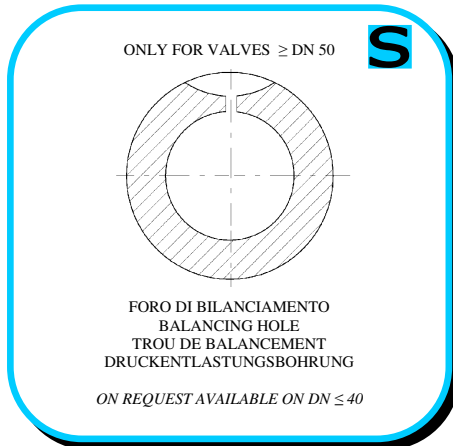
ISO 9001 by L.R.  
 PED DIR. 2014/68/UE by L.R.  
 ATEX DIR. 2014/34/UE by B.V.  
 FIRE SAFE EXECUTION BS6755/API 607 by L.R.  
 FIRE SAFE TESTED ISO 10497 by L.R.  
 ISO 15848 by TÜV  
 ANTISTATIC DEVICE by L.R.  
 EAC CERTIFICATION by B.V.

TYPE  
**FJ2**  
 PN 10 ÷ 40

• ESECUZIONI • EXECUTIONS • EXECUTIONS • AUSFÜHRUNGEN



EXECUTION 4-12



EXECUTION 6-16

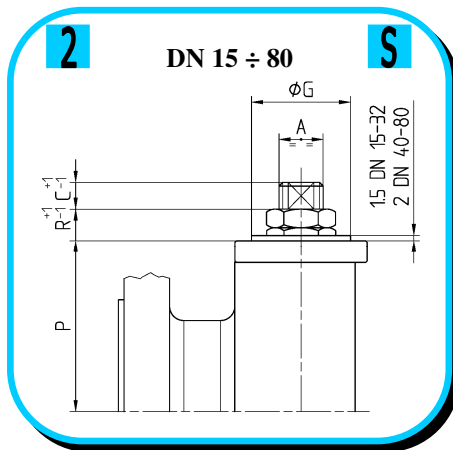
**S** STANDARD

**O** OPTIONAL

**1** **S**

**CARBON STEEL**

ASTM A105  
 DN 15 ÷ 300



**3** **S**

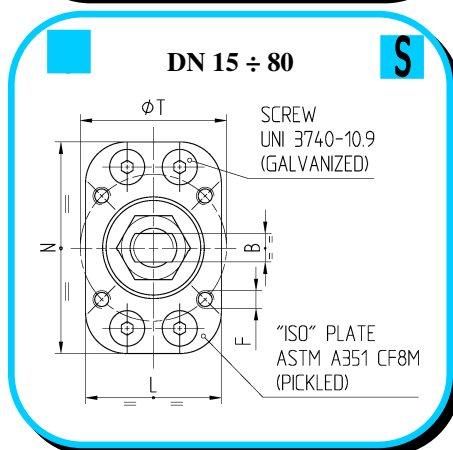
**STAINLESS STEEL**  
 ASTM A479 316/316L  
 DN 15 ÷ 125

ASTM A351 CF8M  
 DN 150 ÷ 300

**4** **S**

-STELO ANTI ESPULSIONE -ANTI BLOW OUT STEM  
 -TIGE ANTIEXPULSION -AUSBLASGESICHERETE WELLE

-PACCO A "V" -CHEVRON RINGS  
 -JOINT A "V" -3 FACHE DACHMANSCHETE  
 ANTISTATIC DEVICE ANTISTATIK VORRICHTUNG  
 BS 5146



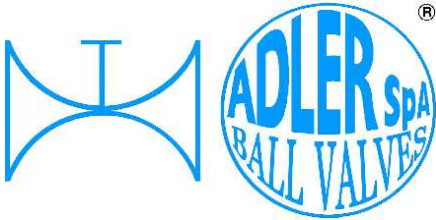
**6** **O**

BREVETTO - PATENTED  
 00219688 - 21-04-1993

FKM (VITON)

-"O" RING STELO "O" RING ON STEM  
 -TIGE AVEC "O" RING  
 -"O" RING IM SPINDELBEREICH





ISO 9001 by L.R.  
 PED DIR. 2014/68/UE by L.R.  
 ATEX DIR. 2014/34/UE by B.V.  
 FIRE SAFE EXECUTION BS6755/API 607 by L.R.  
 FIRE SAFE TESTED ISO 10497 by L.R.  
 ISO 15848 by TÜV  
 ANTISTATIC DEVICE by L.R.  
 EAC CERTIFICATION by B.V.

TYPE  
**FJ2**  
 PN 10 ÷ 40

**7** **O**

-PROLUNGA STELO -STEM EXTENSION  
 -TIGE PROLONGEE -SPINDELVERLÄNGERUNG

**8** **O**

-PARTICOLARI INOX  
 -STAINLESS STEEL DETAILS  
 -ACCESSOIRES EN INOX  
 -EDELSTAHLTEILE

**9** **S**

-ATTACCO "ISO" -"ISO" CONNECTIONS  
 -SYSTEM "ISO" -ANSCHLUSS "ISO"

**GEAR BOX  
 AG series**

**11** **O**

-TENUTE INTEGRALE -POCKETLESS SEATS  
 -TENUE INTEGRALE -TOTRAUMARM  
 -P.T.F.E. / R.T.F.E.

**12** **O**

FIRE SAFE  
 ISO 10497 "ISO-FT"  
 (BS 6755 / API 607)

**13** **S**

BREVETTO - PATENTED  
 00219619

-DOPPIA TENUTA -DOUBLE SEALS  
 -DOUBLE ETANCHEITE -DOPPELTE ABDICHTUNG  
 -LATERALE A BATTUTA -METAL BEATING END  
 -LATERAL AVEC BATTUE MECANIQUE  
 -METALLISCHER ANSCHLAG DES  
 GEGENGEHÄUSES

**14** **S**

VEDERE / SEE ANSI B16.34

FLUSSO  
 FLOW

-FORO DI SCARICO NELLA SFERA  
 -OVERPRESSURE HOLE INTO BALL  
 -TROU DECOMPRESSION DANS LA BOULE  
 -ENTLASTUNGSBOHRUNG IN DER KUGEL  
 VALVOLA MONO DIREZIONALE  
 MONO-DIRECTIONAL VALVE

**AQUILA - EAGLE - AIGLE  
 ADLER**

**16** **O**

-FIRE SAFE ISO FT+ "O" RING STELO  
 -FIRE SAFE ISO FT+ "O" RING ON STEM  
 -SECURITE FEU ISO FT+ TIGE AVEC "O" RING  
 -FEUERSICHERE AUSFÜHRUNG ISO FT+  
 "O" RING IM SPINDELBEREICH

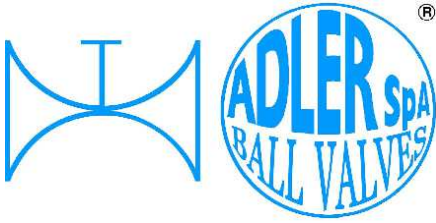
**17** **O**

-TENUTA INTEGRALE METALLICA  
 -METALLIC POCKET LESS SEATS  
 -TENUE INTEGRALE METALLIQUE  
 -TOTRAUMARM METALLISCH

**ADLER**

UNA GAMMA COMPLETA  
 PRIVILEGIANDO LA QUALITA'

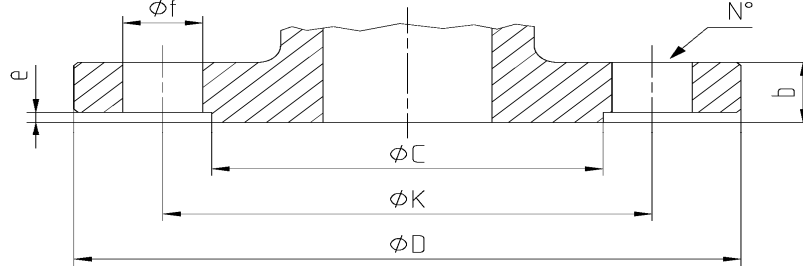
A COMPLETE RANGE PRIVILEGING  
 THE QUALITY



ISO 9001 by L.R.  
 PED DIR. 2014/68/UE by L.R.  
 ATEX DIR. 2014/34/UE by B.V.  
 FIRE SAFE EXECUTION BS6755/API 607 by L.R.  
 FIRE SAFE TESTED ISO 10497 by L.R.  
 ISO 15848 by TÜV  
 ANTISTATIC DEVICE by L.R.  
 EAC CERTIFICATION by B.V.

TYPE  
**FJ2**  
 PN 10 ÷ 40

**DIMENSIONI FLANGE - FLANGE DIMENSION - DIMENSIONS BRIDES - FLANSCHANSCHLUSSMASSE**



DN	Ref.	10	15	20	25	32	40	50	65	80	100	125	150	200	250	300	
PN 10	D		95	105	115	140	150	165	185	200	220	250	285	340	395	445	
	C		45	58	68	78	88	102	122	138	158	188	212	268	320	370	
	K		65	75	85	100	110	125	145	160	180	210	240	295	350	400	
	N°		4	4	4	4	4	4	4	4*	8	8	8	8	8	12	12
	f		14	14	14	18	18	18	18	18	18	18	18	22	22	22	22
	b		16	18	18	18	18	18	18	18	20	20	22	22	24	26	26
PN 16	D		95	105	115	140	150	165	185	200	220	250	285	340	405	460	
	C		45	58	68	78	88	102	122	138	158	188	212	268	320	378	
	K		65	75	85	100	110	125	145	160	180	210	240	295	355	410	
	N°		4	4	4	4	4	4	4	4*	8	8	8	8	12	12	12
	F		14	14	14	18	18	18	18	18	18	18	18	22	22	26	26
	b		16	18	18	18	18	18	18	18	20	20	22	22	24	26	28
PN 25	D		95	105	115	140	150	165	185	200	235	270	300	360	425	485	
	C		45	58	68	78	88	102	122	138	162	188	218	278	335	395	
	K		65	75	85	100	110	125	145	160	190	220	250	310	370	430	
	N°		4	4	4	4	4	4	4	8	8	8	8	8	12	12	16
	f		14	14	14	18	18	18	18	18	22	26	26	26	30	30	
	b		16	18	18	18	18	20	22	24	24	26	28	30	32	34	
PN 40	D		95	105	115	140	150	165	185	200	235	270	300	375	450	515	
	C		45	58	68	78	88	102	122	138	162	188	218	285	345	410	
	K		65	75	85	100	110	125	145	160	190	220	250	320	385	450	
	N°		4	4	4	4	4	4	4	8	8	8	8	12	12	16	
	f		14	14	14	18	18	18	18	18	22	26	26	30	33	33	
	b		16	18	18	18	18	20	22	24	24	26	28	34	38	42	
PN 40	D		95	105	115	140	150	165	185	200	235	270	300	375	450	515	
	C		45	58	68	78	88	102	122	138	162	188	218	285	345	410	
	K		65	75	85	100	110	125	145	160	190	220	250	320	385	450	
	N°		4	4	4	4	4	4	4	8	8	8	8	12	12	16	
	f		14	14	14	18	18	18	18	18	22	26	26	30	33	33	
	b		16	18	18	18	18	20	22	24	24	26	28	34	38	42	
PN 40	D		95	105	115	140	150	165	185	200	235	270	300	375	450	515	
	C		45	58	68	78	88	102	122	138	162	188	218	285	345	410	
	K		65	75	85	100	110	125	145	160	190	220	250	320	385	450	
	N°		4	4	4	4	4	4	4	8	8	8	8	12	12	16	
	f		14	14	14	18	18	18	18	18	22	26	26	30	33	33	
	b		16	18	18	18	18	20	22	24	24	26	28	34	38	42	
PN 40	D		95	105	115	140	150	165	185	200	235	270	300	375	450	515	
	C		45	58	68	78	88	102	122	138	162	188	218	285	345	410	
	K		65	75	85	100	110	125	145	160	190	220	250	320	385	450	
	N°		4	4	4	4	4	4	4	8	8	8	8	12	12	16	
	f		14	14	14	18	18	18	18	18	22	26	26	30	33	33	
	b		16	18	18	18	18	20	22	24	24	26	28	34	38	42	

