



ISO 9001 by L.R.
PED DIR. 2014/68/UE by L.R.
ATEX DIR. 2014/34/UE by B.V.
FIRE SAFE EXECUTION BS6755/API 607 by L.R.
FIRE SAFE TESTED ISO 10497 by L.R.
ISO 15848 by TÜV
ANTISTATIC DEVICE by L.R.
EAC CERTIFICATION by B.V.

TYPE
FK2
ANSI 150

NORME E DIRETTIVE APPLICATE DISPONIBILI AL SEGUENTE LINK:
STANDARD AND DIRECTIVE APPLIED AVAILABLE AT FOLLOWING LINK:
http://www.adlerspa.com/pdf/NORME_ADLER.pdf

VALVOLE A SFERA "ANSI B16.10" SPLIT BODY PASSAGGIO TOTALE CON CAMICIA DI RISCALDAMENTO



ACTUATED
BALL VALVES
CERTIFIED
SIL 3 Capable
According to IEC 61508

FULL BORE ACCORDING
TO ISO 14313

CONSTRUCTION ACCORDING TO:
BS EN 12516-2 - ANSI B16.34
ISO 14313 - ANSI B16.5
ANSI B16.10/UNI EN 558-2

BALL VALVES

"ANSI B16.10" FULL BORE SPLIT BODY WITH HEATING JACKET

ROBINETS A BOISSEAU SPHERIQUE

"ANSI B16.10" PASSAGE INTEGRAL 2 PIECES AVEC ENVELOPPE

FLANSCHKUGELHÄHNE IN "ANSI B16.10"

VOLLER DURCHGANG ZWEIFTEILIGES GEHÄUSE MIT HEIZMANTEL

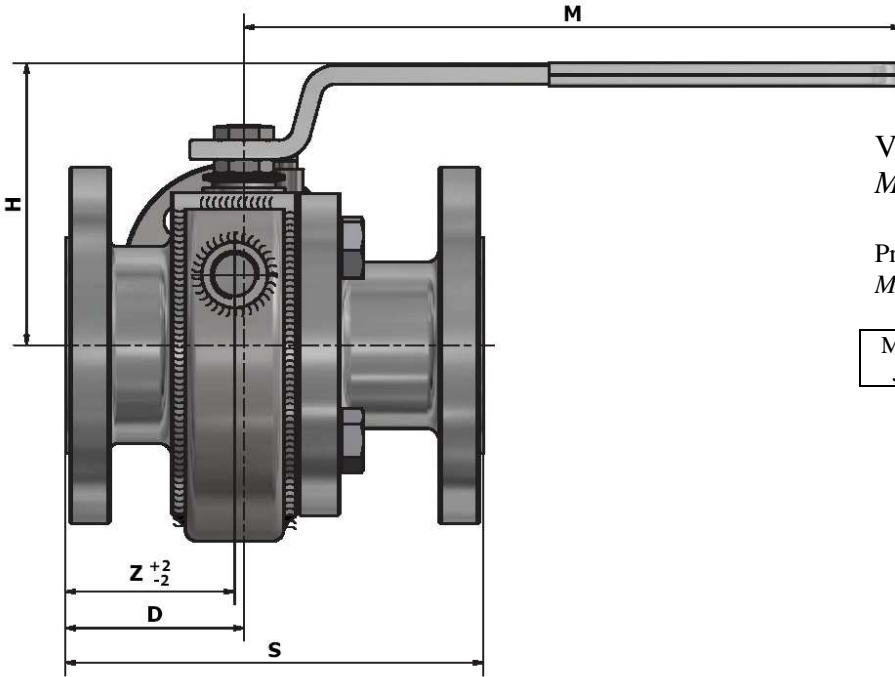
WEB SITE: WWW.ADLERSPA.COM



ISO 9001 by L.R.
 PED DIR. 2014/68/UE by L.R.
 ATEX DIR. 2014/34/UE by B.V.
 FIRE SAFE EXECUTION BS6755/API 607 by L.R.
 FIRE SAFE TESTED ISO 10497 by L.R.
 ISO 15848 by TÜV
 ANTISTATIC DEVICE by L.R.
 EAC CERTIFICATION by B.V.

TYPE
FK2
 ANSI 150

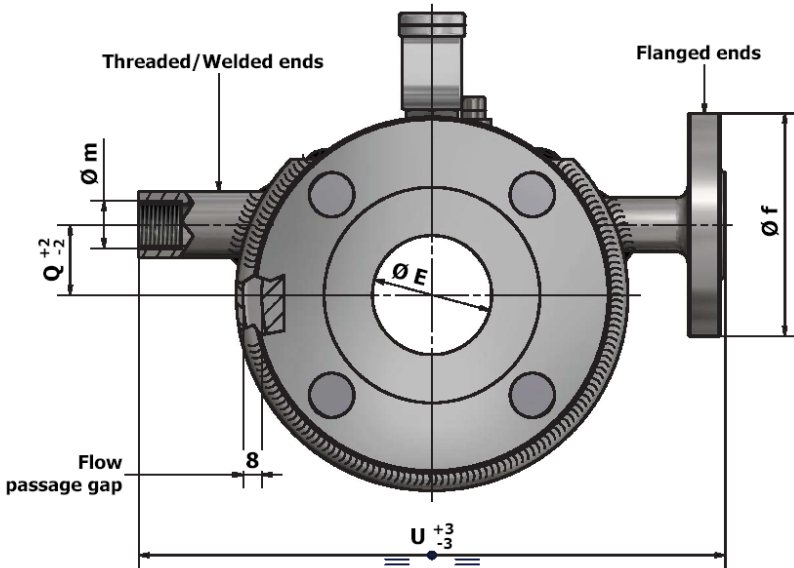
VALVOLA A SFERA "ANSI B 16.10" SPLIT BODY PASSAGGIO TOTALE CON CAMICIA DI RISCALDAMENTO
 BALL VALVES "ANSI B 16.10" SPLIT BODY FULL BORE WITH HEATING JACKET
 ROBINETS A BOISSEAU SPHERIQUE "ANSI B 16.10" PASSAGE INTEGRAL 2 PIECES AVEC ENVELOPPE
 FLANSCHKUGELHÄHNE IN "ANSI B 16.10" VOLLER DURCHGANG ZWEIFTEILIGES GEHÄUSE MIT HEIZMANTEL



Valvola base FE2
 Main Ball Valve FE2

Pressione massima di lavoro nelle camicie 10 bar
 Maximum working pressure for jacket 10 bar

Materiale camicia Jacket material	CARBON STEEL (STANDARD) STAINLESS STEEL (OPTIONAL)
--------------------------------------	---



**VISUALIZZA 3D
 VIEW 3D**

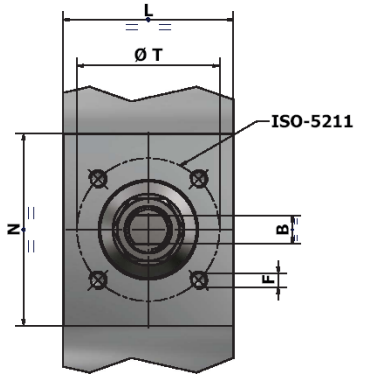
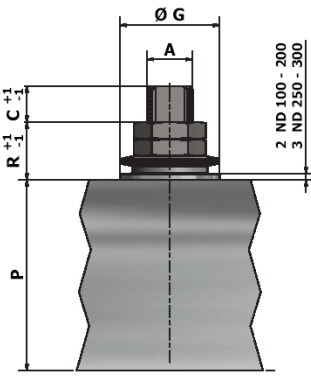
<https://adlerspa.com/prodotti/fk2>

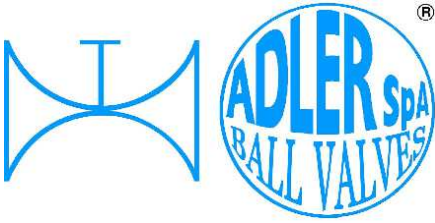
**FLANGE DIMENSIONS
 according to
 EN 1092-1 or ANSI B16.5**
 see table

<https://adlerspa.com/wp-content/uploads/2023/11/Tabella-dimensioni-flange-valvole-Adler.pdf>

DN 200

- CONSIGLIATO RIDUTTORE MANUALE
- MANUAL GEAR BOX SUGGESTED
- REDUCTEUR MANUEL CONSEILLE
- EMPFEHLEN WIR EIN HANDGETRIEBE





ISO 9001 by L.R.
 PED DIR. 2014/68/UE by L.R.
 ATEX DIR. 2014/34/UE by B.V.
 FIRE SAFE EXECUTION BS6755/API 607 by L.R.
 FIRE SAFE TESTED ISO 10497 by L.R.
 ISO 15848 by TÜV
 ANTISTATIC DEVICE by L.R.
 EAC CERTIFICATION by B.V.

TYPE
FK2
 ANSI 150

N.	DESCRIZIONE DESCRIPTION MATERIAUX BESCHREIBUNG	MATERIALI MATERIALS MATERIAUX WERKSTOFFE
1	CORPO BODY CORPS MITTE	ASTM A105 ASTM A479 304/304L ASTM A479 316/316L ASTM A 351 CF8M
2	LATERALE END LATERAL ENDE	ASTM A105 ASTM A479 304/304L ASTM A479 316/316L ASTM A 351 CF8M
3*	O-RING	FKM - (VITON)
4*	ANELLO SEAL ANNEAU DICHTUNGSRING	P.T.F.E.
5*	SEDE SEAT SIEGE SITZRING	P.T.F.E. + 15% FIBERGLASS
6	SFERA BALL BOULE KUGEL	ASTM A479 304/304L ASTM A351 CF8 ASTM A479 316/316L ASTM A351 CF8M
7	DISPOSITIVO ANTISTATICO ANTISTATIC DEVICE CONTACT ANTISTATIQUE ANTISTATIK VORRICHTUNG	ASTM A479 316/316L
8	STELO STEM TIGE SPINDEL	ASTM A479 304/304L ASTM A479 316/316L

N.	DESCRIZIONE DESCRIPTION MATERIAUX BESCHREIBUNG	MATERIALI MATERIALS MATERIAUX WERKSTOFFE
9*	BUSSOLA STEM SEAL JOINT TIGE UNTERE SPINDELABDICHTUNG	P.T.F.E.
10*	PACCO A "V" CHEVRON RINGS JOINT A "V" 3 FACHE DACHMANSCHETTE	P.T.F.E. / GRAFITE P.T.F.E. / GRAPHITE P.T.F.E. / GRAPHIT
11	PREMIBUSSOLA PRESSING BUSH PRESSE RONDELLE STOPFBUCHSDRUCKRING	ASTM A479 304
12	MOLLE A TAZZA SPRING WASHERS RONDELLES BELLEVILLE TELLERFEDERN	C72/50Cr V4 ZINCATO - GALVANIZED - ZINGUE - VERZINKT X10CrNi18.8 ON REQUEST
13	VITE DI FERMO E FERMO PIN AND STOP PIN PLOINT ET PLOT D'ARRET ANSCHLAGBOLZEN	UNI3740 8.8 ZINCATO - GALVANIZED - ZINGUE - VERZINKT UNI 3951 A2-70 ON REQUEST
14	DADO - CONTRODADO NUT - LOCK NUT ECROU - CONTRE-ECROU MUTTER - KONTERMUTTER	UNI 3740 - 6S ZINCATO - GALVANIZED ZINGUE - VERZINKT ASTM A479 304 ON REQUEST
15	LEVA WRENCH LEVIER HANDHEBEL	AISI 1010 GALVANIZED AND PAINTED FOR S.S. VALVES PAINTED FOR C.S. VALVES ASTM A479 304 ON REQUEST
16	VITE SCREW VIS SCHRAUBE	UNI 3740 8.8 ZINCATO - GALVANIZED - ZINGUE - VERZINKT UNI 3951 A2-70 ON REQUEST

* RICAMBI CONSIGLIATI - RECOMMENDED SPARE PARTS - PIECES DE RECHANGE CONSEILLEES - ERSATZTEIL EMPFEHLUNG

ON REQUEST P.T.F.E. AVAILABLE CERTIFIED BAM, FDA, MOCA

DIMENSIONI - DIMENSION - DIMENSIONS - ABMESSUNGEN

DN	15	20	25	32	40	50	65	80	100	125	150	200	250	300
A	10	10	12	12	16	16	22	22	30	30	42	48		
B	6	6	8	8	10	10	14	14	18	18	28	32		
C	7	7	10	10	10	10	12	17	17	17	19	20		
D	46	48,5	49	52	58	76	72	75	77	100	117	155		
E	15	19	25	30	38	51	64	76	101	118	152	203		
F	M5	M5	M5	M5	M6	M6	M8	M8	M8	M10	M12	M16		
f	Ø1/2" GAS						Ø1" GAS							
ISO	F03	F03	F03	F03	F05	F05	F07	F07	F07	F10	F12	F14		
G	25	25	25	25	35	35	55	55	55	70	85	100		
H	86	88	113	119	110	120	144	152	174	188	256	294		
L	33	33	33	35	45	54	62	62	64	92	129	176		
M	145	145	185	185	280	280	370	370	470	650	750	900		
m	DN 15 PN 16						DN 25 PN 16							
N	33	39	43	55	57	64	67	65	70	97	109	123		
P	32,5	35	41	46,5	55	65	82	86	99,5	113,5	144	183		
Q	/	/	/	25	30	30	45	50	70	80	95	130		
R	8	8	17	17	20	20	23	23	26	26	34	36		
S	108	117	127	140	165	178	190	203	229	254	267	419		
T	36	36	36	36	50	50	70	70	70	102	125	140		
U	170	180	190	210	230	250	270	300	340	360	420	500		
Z	46	48,5	49	52	58	72	72	75	76	100	117	155		
Kg	3,7	4,6	5,5	7,5	10,5	16	23	27	36	58	94	163		
Kg										50	70	125		

- DATI E CARATTERISTICHE SOGGETTI A VARIAZIONI SENZA PREAVVISO
- SPECIFICATIONS SUBJECT TO MODIFICATIONS WITHOUT PRIOR NOTICE
- TOUS DROITS DE MODIFICATION RESERVES
- KONSTRUKTIONSÄNDERUNGEN VORBEHALTEN

ASTM A105

ASTM A 351 CF8M



ADLER SpA - BALL VALVES
 20010 S. STEFANO TICINO (MI) ITALY V.le BORLETTI, 14 Tel. +39/02974842.11 FAX +39/0297271698
 E-mail: adler@adlerspa.com <http://www.adlerspa.com>



ISO 9001 by L.R.
 PED DIR. 2014/68/UE by L.R.
 ATEX DIR. 2014/34/UE by B.V.
 FIRE SAFE EXECUTION BS6755/API 607 by L.R.
 FIRE SAFE TESTED ISO 10497 by L.R.
 ISO 15848 by TÜV
 ANTISTATIC DEVICE by L.R.
 EAC CERTIFICATION by B.V.

TYPE
FK2
 ANSI 150

• ESECUZIONI • EXECUTIONS • EXECUTIONS • AUSFÜHRUNGEN



EXECUTION 4- 12

ONLY FOR VALVES \geq DN 50 **S**

FORO DI BILANCIAMENTO
 BALANCING HOLE
 TROU DE BALANCEMENT
 DRUCKENTLASTUNGSBOHRUNG

ON REQUEST AVAILABLE ON DN \leq 40



EXECUTION 6 - 16

S STANDARD

O OPTIONAL

1 **S**

CARBON STEEL

ASTM A105
 DN 15 ÷ 300

2 **S**

STAINLESS STEEL
 ASTM A479 316/316L
 DN 15 ÷ 125

ASTM A351 CF8M
 DN 150 ÷ 300

3 **O**

PN
10 ÷ 40

4 **S**

-STELO ANTI ESPULSIONE -ANTI BLOW OUT STEM
 -TIGE ANTIEXPULSION -AUSBLASGESICHERTE WELLE

-PACCO A "V" -CHEVRON RINGS
 -JOINT A "V" -3 FACHE DACHMANSCHETE
 ANTISTATIC DEVICE ANTISTATIK VORRICHTUNG BS 5146

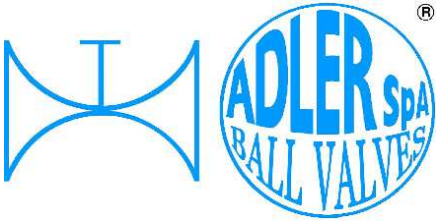
KEY TORQUE

6 **O**

BREVETTO - PATENTED
00219688

FKM (VITON)

-"O" RING STELO "O" RING ON STEM
 -TIGE AVEC "O" RING
 -"O" RING IM SPINDELBEREICH



ISO 9001 by L.R.
 PED DIR. 2014/68/UE by L.R.
 ATEX DIR. 2014/34/UE by B.V.
 FIRE SAFE EXECUTION BS6755/API 607 by L.R.
 FIRE SAFE TESTED ISO 10497 by L.R.
 ISO 15848 by TÜV
 ANTISTATIC DEVICE by L.R.
 EAC CERTIFICATION by B.V.

TYPE
FK2
 ANSI 150

7 **O**

-PROLUNGA STELO -STEM EXTENSION
 -TIGE PROLONGEE -SPINDELVERLÄNGERUNG

8 **O**

-PARTICOLARI INOX
 -STAINLESS STEEL DETAILS
 -ACCESSOIRES EN INOX
 -EDELSTAHLTEILE

9 **S**

-ATTACCO "ISO" -"ISO" CONNECTIONS
 -SYSTEM "ISO" -ANSCHLUSS "ISO"

ADLER

UNA GAMMA COMPLETA
 PRIVILEGIANDO LA QUALITA'

A COMPLETE RANGE PRIVILEGING
 THE QUALITY

11 **O**

-TENUTE INTEGRALE -POCKETLESS SEATS
 -TENUE INTEGRALE -TOTRAUMARM
 -P.T.F.E. / R.T.F.E.

12 **O**

FIRE SAFE
ISO 10497 "ISO-FT"
(BS 6755 / API 607)

13 **S**

BREVETTO - PATENTED
 002/19619

-DOPPIA TENUTA -DOUBLE SEALS
 -DOUBLE ETANCHEITE -DOPPELTE ABDICHTUNG
 -LATERALE A BATTUTA -METAL BEATING END
 -LATERAL AVEC BATTUE MECANIQUE
 -METALLISCHER ANSCHLAG DES
 GEGENGEHÄUSES

14 **S**

VEDERE / SEE ANSI B16.34

FLUSSO
 FLOW

-FORO DI SCARICO NELLA SFERA
 -OVERPRESSURE HOLE INTO BALL
 -TROU DECOMPRESSION DANS LA BOULE
 -ENTLASTUNGSBOHRUNG IN DER KUGEL
VALVOLA MONO DIREZIONALE
MONO-DIRECTIONAL VALVE

P.M.I.

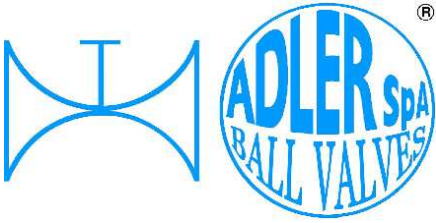
16 **O**

-FIRE SAFE ISO FT+ "O" RING STELO
 -FIRE SAFE ISO FT+ "O" RING ON STEM
 -SECURITE FEU ISO FT+ TIGE AVEC "O" RING
 -FEUERSICHERE AUSFÜHRUNG ISO FT+
 "O" RING IM SPINDELBEREICH

17 **O**

-TENUTA INTEGRALE METALLICA
 -METALLIC POCKET LESS SEATS
 -TENUE INTEGRALE METALLIQUE
 -TOTRAUMARM METALLISCH

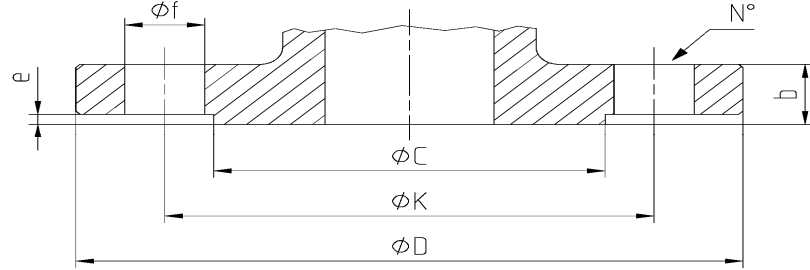
ANTISTATIC DEVICE
CERTIFICATE



ISO 9001 by L.R.
 PED DIR. 2014/68/UE by L.R.
 ATEX DIR. 2014/34/UE by B.V.
 FIRE SAFE EXECUTION BS6755/API 607 by L.R.
 FIRE SAFE TESTED ISO 10497 by L.R.
 ISO 15848 by TÜV
 ANTISTATIC DEVICE by L.R.
 EAC CERTIFICATION by B.V.

TYPE
FK2
 ANSI 150

DIMENSIONI FLANGE - FLANGE DIMENSION - DIMENSIONS BRIDES - FLANSCHANSCHLUSSMASSE



ANSI B16.5

DN	Ref.	1/2"	3/4"	1"	1 1/4"	1 1/2"	2"	2 1/2"	3"	4"	5"	6"	8"	10"	12"
ANSI 150 RF	D	88.9	98.6	108	117.4	127	152.4	177.8	190.5	228.6	254	279.4	342.9		
	C	35.1	43	50.8	63.5	92	104.7	127	157.3	185.7	215.9	269.8	269.8		
	K	6035	69.9	79.2	88.9	98.6	120.7	139.7	152.4	190.5	215.9	241.3	298.5		
	N°	4	4	4	4	4	4	4	4	8	8	8	8		
	f	15.8	15.8	15.8	15.8	19.1	19.1	19.1	19.1	19.1	22.4	22.4	22.4		
	b	11.2	12.7	14.3	15.8	17.6	19.1	22.4	23.9	23.9	23.9	25.4	28.5		
	e	1.6	1.6	1.6	1.6	1.6	1.6	1.6	1.6	1.6	1.6	1.6	1.6		

EN 1092-1 (OPTIONAL)

DN	Ref.	10	15	20	25	32	40	50	65	80	100	125	150	200	250	300
PN 10	D	90	95	105	115	140	150	165	185	200	220	250	285	340		
	C	40	45	58	68	78	88	102	122	138	158	188	212	268		
	K	60	65	75	85	100	110	125	145	160	180	210	240	295		
	N°	4	4	4	4	4	4	4	4*	8	8	8	8	8		
	f	14	14	14	14	18	18	18	18	18	18	18	22	22		
	b	16	16	18	18	18	18	18	18	20	20	22	22	24		
	e	2	2	2	2	2	3	3	3	3	3	3	3	3		
PN 16	D	90	95	105	115	140	150	165	185	200	220	250	285	340		
	C	40	45	58	68	78	88	102	122	138	158	188	212	268		
	K	60	65	75	85	100	110	125	145	160	180	210	240	295		
	N°	4	4	4	4	4	4	4	4*	8	8	8	8	12		
	f	14	14	14	14	18	18	18	18	18	18	22	22	22		
	b	16	16	18	18	18	18	18	18	20	20	22	22	24		
	e	2	2	2	2	2	3	3	3	3	3	3	3	3		
PN 25	D	90	95	105	115	140	150	165	185	200	235	270	300	360		
	C	40	45	58	68	78	88	102	122	138	162	188	218	278		
	K	60	65	75	85	100	110	125	145	160	190	220	250	310		
	N°	4	4	4	4	4	4	4	8	8	8	8	8	12		
	f	14	14	14	14	18	18	18	18	18	22	26	26	26		
	b	16	16	18	18	18	18	20	22	24	24	26	28	30		
	e	2	2	2	2	2	3	3	3	3	3	3	3	3		
PN 40	D	90	95	105	115	140	150	165	185	200	235	270	300	375		
	C	40	45	58	68	78	88	102	122	138	162	188	218	285		
	K	60	65	75	85	100	110	125	145	160	190	220	250	320		
	N°	4	4	4	4	4	4	4	8	8	8	8	8	12		
	f	14	14	14	14	18	18	18	18	18	22	26	26	30		
	b	16	16	18	18	18	18	20	22	24	24	26	28	34		
	e	2	2	2	2	2	3	3	3	3	3	3	3	3		

* n°8 fori