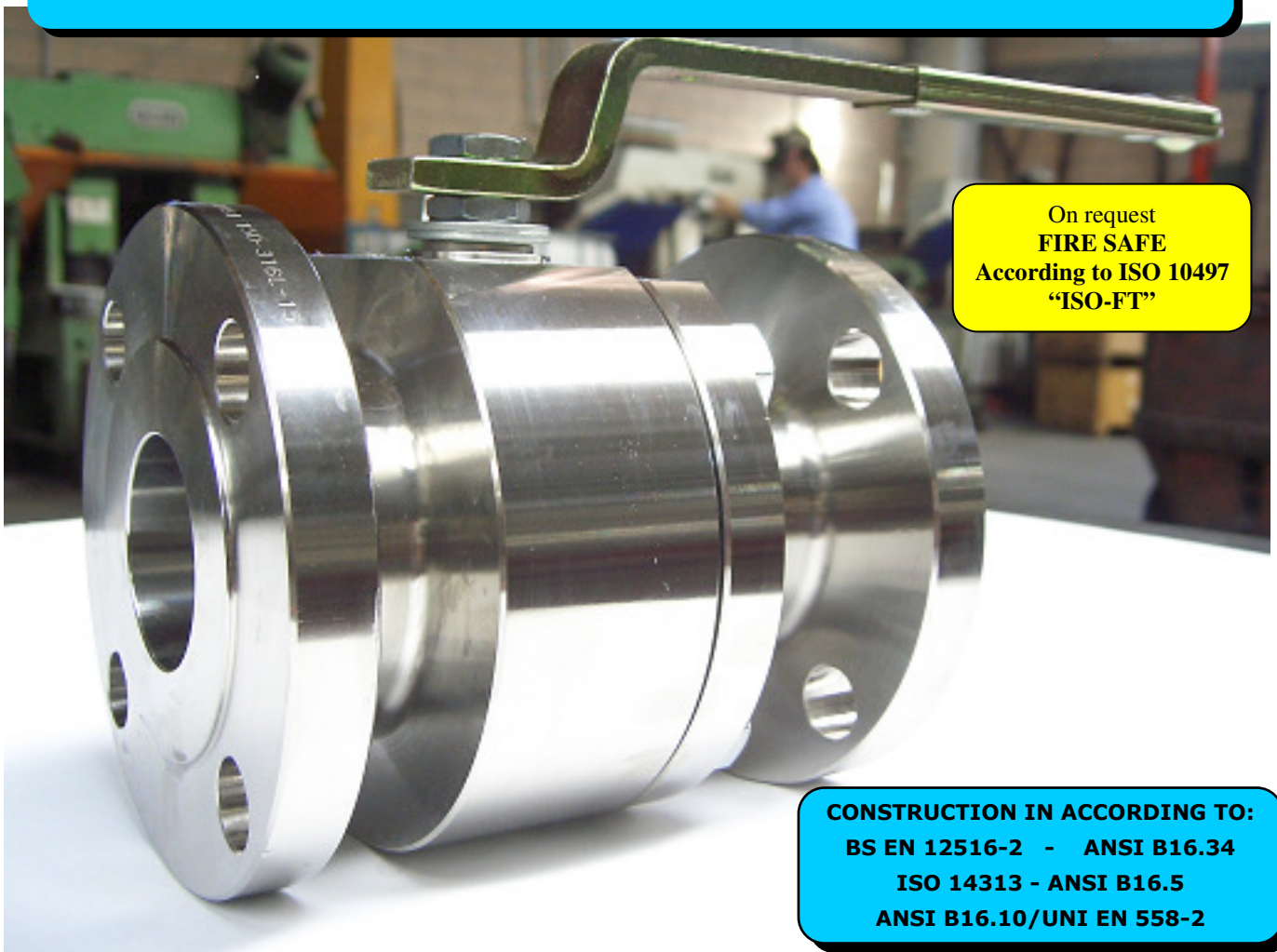


ISO 9001:2008 by L.R.
PED DIR. 97/23/EC by L.R.
ATEX DIR. 94/9/EC by B.V.
FIRE SAFE EXECUTION by L.R.
ISO 15848 by TÜV
ANTISTATIC DEVICE by L.R.
FIRE SAFE TESTED ISO 10497 by L.R.

TYPE
FE2
ANSI 150

VALVOLE A SFERA "ANSI B16.10" SPLIT BODY PASSAGGIO TOTALE

ISO nbr° LRC 0160281 QMS issued by L.R.Q.A. PED nbr° COV 0212112/01 issued by L.R.V.
ATEX nbr° 40.2003.4392 issued by B.V. ISO 15848 nbr° I-148466/1-/2 issued by TÜV

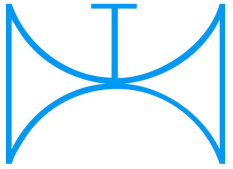


On request
FIRE SAFE
According to ISO 10497
"ISO-FT"

CONSTRUCTION IN ACCORDING TO:
BS EN 12516-2 - ANSI B16.34
ISO 14313 - ANSI B16.5
ANSI B16.10/UNI EN 558-2

BALL VALVES
"ANSI B16.10" FULL BORE SPLIT BODY
ROBINETS A BOULE
"ANSI B16.10" PASSAGE INTEGRAL 2 PIECES
FLANSCHKUGELHÄHNE IN "ANSI B16.10"
VOLLER DURCHGANG ZWEITEILIGES GEHÄUSE

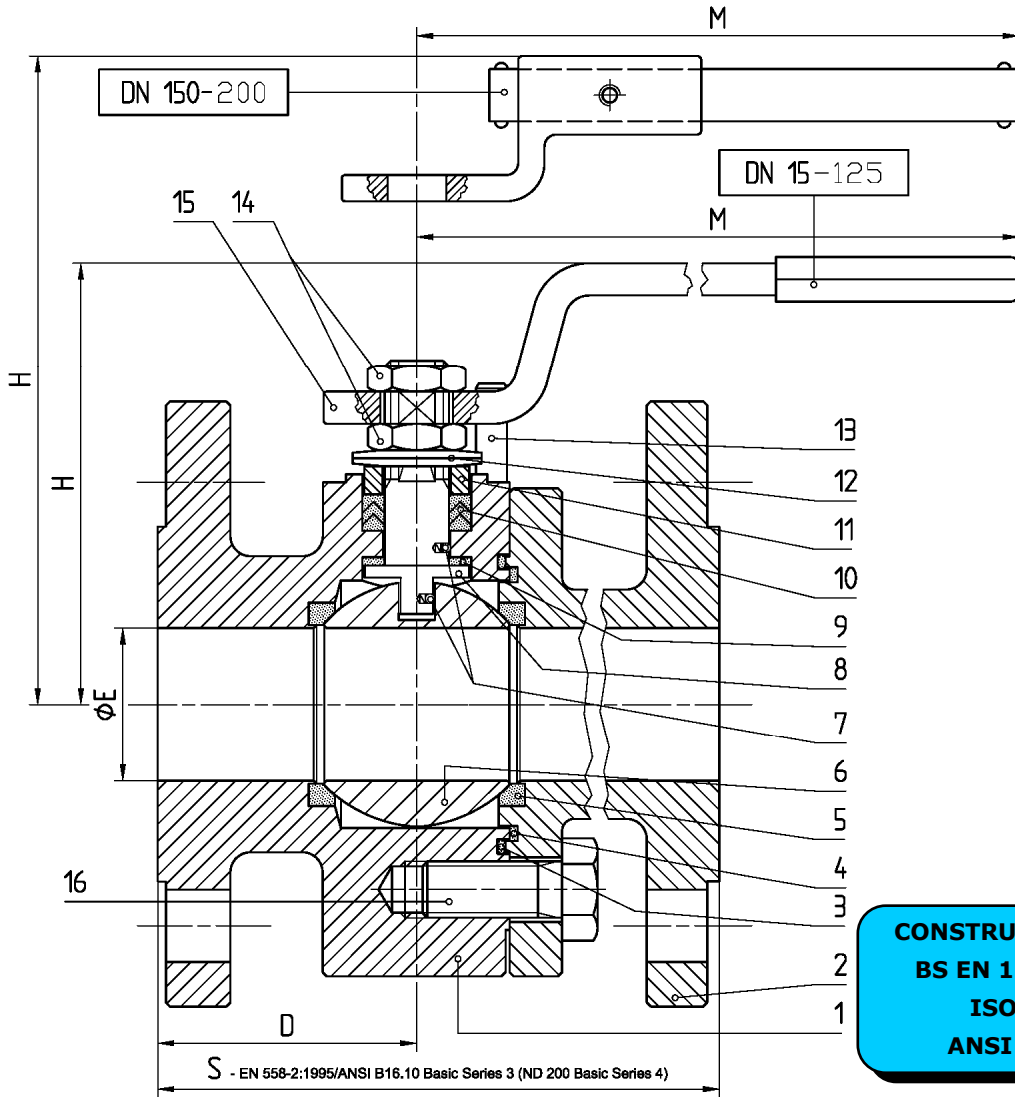
WEB SITE: WWW.ADLERSPA.COM



ISO 9001:2008 by L.R.
PED DIR. 97/23/EC by L.R.
ATEX DIR. 94/9/EC by B.V.
FIRE SAFE EXECUTION by L.R.
ISO 15848 by TÜV
ANTISTATIC DEVICE by L.R.
FIRE SAFE TESTED ISO 10497 by L.R.

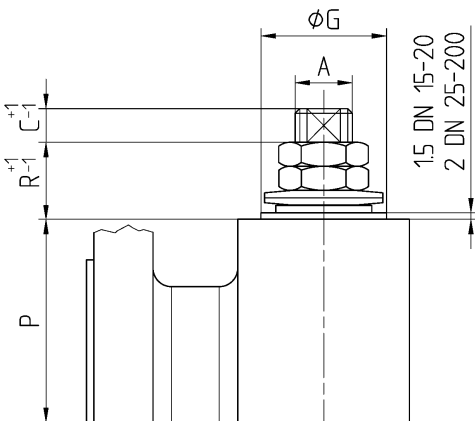
TYPE
FE2
ANSI 150

VALVOLA A SFERA "ANSI B 16.10" SPLIT BODY PASSAGGIO TOTALE
BALL VALVES "ANSI B 16.10" SPLIT BODY FULL BORE
ROBINETS A BOULE "ANSI B 16.10" PASSAGE INTEGRAL 2 PIECES
FLANSCHKUGELHÄHNE IN "ANSI B 16.10" VOLLER DURCHGANG ZWEIFTEILIGES GEHÄUSE



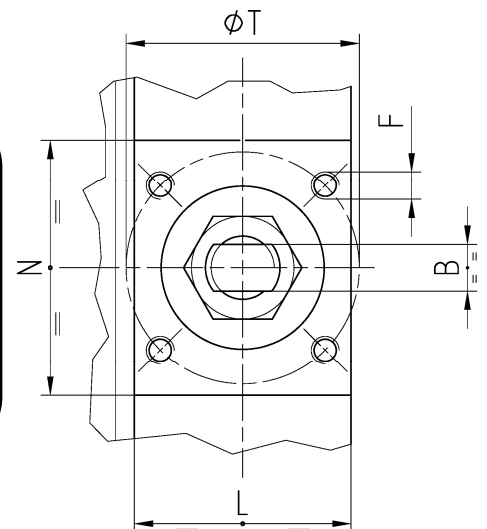
DN 200
 -CONSIGLIATO
 RIDUTTORE MANUALE
 -MANUAL GEAR BOX
 SUGGESTED
 -REDUCTEUR MANUEL
 CONSEILLE
 -EMPFEHLEN WIR EIN
 HANDGETRIEBE

CONSTRUCTION IN ACCORDING TO:
BS EN 12516-2 - ANSI B16.34
ISO 14313 - ANSI B16.5
ANSI B16.10/UNI EN 558-2



- ACCOPPIAMENTO VALVOLA ATTUATORE
- CONNECTION VALVE ACTUATOR
- ACCOUPLEMENT ROBINET-ACTIONNEUR
- ZUSAMMENBAU KUGELHAHN ANTRIEB

ISO-5211



N.	DESCRIZIONE DESCRIPTION BESCHREIBUNG	MATERIALI MATERIALS MATERIAUX WERKSTOFFE
1	CORPO BODY CORPS KÖRPER	ASTM A105 ASTM A 216 WCB ASTM A 182 F316- A479 S31600 ASTM A 351 CF8M
2	LATERALE END LATERAL GEGENGEHÄUSE	ASTM A105 ASTM A 216 WCB ASTM A 182 F316- A479 S31600 ASTM A 351 CF8M
3*	O-RING	FKM - (VITON)
4*	ANELLO SEAL ANNEAU DICHTUNGSRING	P.T.F.E.
5*	SEDE SEAT SIEGE SITZRING	P.T.F.E. / R.P.T.F.E. (OPTIONAL)
6	SFERA BALL BOULE KUGEL	ASTM A182 F304-A479 S30400 ASTM A351 CF8 ASTM A182 F316-A479 S31600 ASTM A351 CF8M
7	DISPOSITIVO ANTISTATICO ANTISTATIC DEVICE CONTACT ANTISTATIQUE ANTISTATIK VORRICHTUNG	ASTM A479 S31600
8	STELO STEM TIGE SPINDEL	ASTM A182 F304 A479 S30400 ≥ DN 40 ASTM A182 F316 A479 S31600

N.	DESCRIZIONE DESCRIPTION BESCHREIBUNG	MATERIALI MATERIALS MATERIAUX WERKSTOFFE
9*	BUSSOLA STEM SEAL JOINT TIGE UNTERE SPINDELABDICHTUNG	P.T.F.E.
10*	PACCO A "V" CHEVRON RINGS JOINT A "V" 3 FACHE DACHMANSCHETTE	P.T.F.E. / GRAFITE P.T.F.E. / GRAPHITE P.T.F.E. / GRAPHITE P.T.F.E. / GRAPHIT
11	PREMIBUSSOLA PRESSING BUSH PRESSE RONDELLE STOPFBUCHSDRUCKRING	ASTM A479 S31600
12	MOLLE A TAZZA SPRING WASHERS RONDELLES BELLEVILLE TELLERFEDERN	C72/50Cr V ₄ ZINCATO - GALVANIZED ZINGUE - VERZINKT
13	VITE DI FERMO E FERMO PIN AND STOP PIN PLOT ET PLOT D'ARRET ANSCHLAGBOLZEN	UNI 3740 - 8.8 ZINCATO - GALVANIZED ZINGUE - VERZINKT
14	DADO - CONTRODADO NUT - LOCK NUT ECROU - CONTRE-ECROU MUTTER - KONTERMUTTER	UNI 3740 - 6S ZINCATO - GALVANIZED ZINGUE - VERZINKT
15	LEVA WRENCH LEVIER HANDHEBEL	UNI 5946 Fe 37 ZINCATO - GALVANIZED ZINGUE - VERZINKT
16	VITE SCREW VIS SCHRAUBE	UNI 3740-8.8 ZINCATO-GALVANIZED- ZINGUE-VERZINKT

* RICAMBI CONSIGLIATI - RECOMMENDED SPARE PARTS - PIECES DE RECHANGE CONSEILLEES - ERSATZTEIL EMPFEHLUNG

DIMENSIONI - DIMENSION - DIMENSIONS - ABMESSUNGEN

DN	15	20	25	32	40	50	65	80	100	125	150	200	250	300
A	10	10	12	12	16	16	22	22	30	30	42	48		
B	6	6	8	8	10	10	14	14	18	18	28	32		
C	7	7	10	10	10	10	12	17	17	17	19	20		
D	46	48,5	49	52	58	76	72	75	77	100	117	155		
E	15	19	25	30	38	51	64	76	101	118	152	203		
F	M5	M5	M5	M5	M6	M6	M8	M8	M8	M10	M12	M16		
ISO	F03	F03	F03	F03	F05	F05	F07	F07	F07	F10	F12	F14		
G	25	25	25	25	35	35	55	55	55	70	85	100		
H	86	88	113	119	110	120	144	152	174	188	256	294		
L	33	33	33	35	45	53	62	62	64	92	129	176		
M	145	145	185	185	280	280	370	370	470	650	750	900		
N	33	39	43	55	57	64	67	65	70	97	109	123		
P	32,5	35	41	46,5	55	65	82	86	99,5	113,5	144	183		
R	8	8	17	17	20	20	23	23	26	26	34	36		
S	108	117	127	140	165	178	190	203	229	254	267	419		
T	36	36	36	36	50	50	70	70	70	102	125	140		
Kg	2,7	3,6	4,5	6,2	9	14,3	21,5	25	34	56	91	159		
Kg										48	67	121		

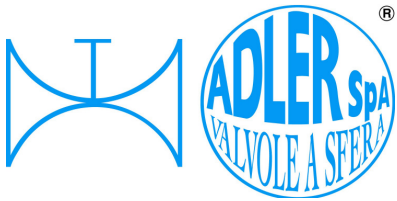
- DATI E CARATTERISTICHE SOGGETTI A VARIAZIONI SENZA PREAVVISO
- SPECIFICATIONS SUBJECT TO MODIFICATION WITHOUT PRIOR NOTICE
- TOUS DROITS DE MODIFICATION RESERVES
- KONSTRUKTIONSÄNDERUNGEN VORBEHALTEN

ASTM A 105

ASTM A 216 WCB - A 351 CF8M



ADLER SpA - VALVOLE A SFERA
20010 S. STEFANO TICINO (MI) ITALY V.le BORLETTI, 14 Tel. +39/02974842.11 FAX +39/0297271698
E-mail: adler@adlerspa.com <http://www.adlerspa.com>



ISO 9001:2008 by L.R.
 PED DIR. 97/23/EC by L.R.
 ATEX DIR. 94/9/EC by B.V.
 FIRE SAFE EXECUTION by L.R.
 ISO 15848 by TÜV
 ANTISTATIC DEVICE by L.R.
 FIRE SAFE TESTED ISO 10497 by L.R.

TYPE
FE2
 ANSI 150

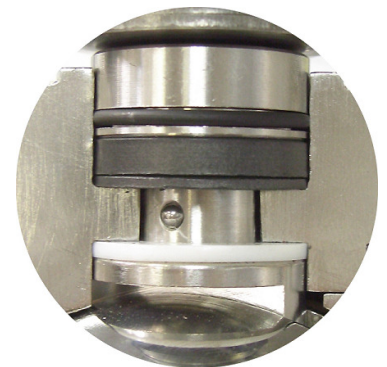
VALVOLE A SFERA "ANSI B16.10" PASSAGGIO TOTALE
 BALL VALVES "ANSI B16.10" FULL BORE

ROBINETS A BOULE "ANSI B16.10" PASSAGE INTEGRAL
 FLANSCHKUGELHÄHNE IN "ANSI B16.10" VOLLER DURCHGANG

▪ ESECUZIONI ▪ EXECUTIONS ▪ EXECUTIONS ▪ AUSFÜHRUNGEN



EXECUTION 4 - 12



EXECUTION 6 - 16

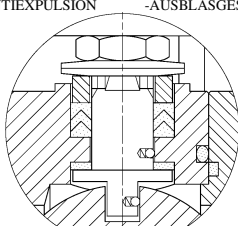
S STANDARD

O OPTIONAL

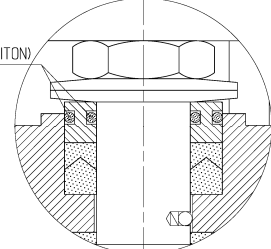
1 **S**
CARBON STEEL
 ASTM A105
 DN 15 ÷ 300
 or
 ASTM A 216 WCB
 DN 125 ÷ 300

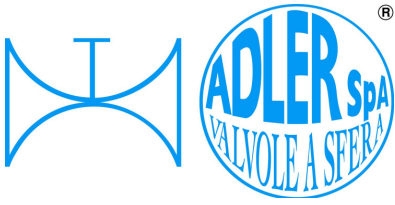
2 **S**
STAINLESS STEEL
 ASTM A479 S31600
 DN 15 ÷ 100
 ASTM A351 CF8M
 DN 125 ÷ 300

3 **O**
PN
10 ÷ 40

4 **S**
 -STELO ANTI ESPULSIONE -ANTI BLOW OUT STEM
 -TIGE ANTIEXPULSION -AUSBLASGESICHERTE WELLE

 -PACCO A "V" -CHEVRON RINGS
 -JOINT A "V" -3 FACHE DACHMANSCHETE
 ANTISTATIC DEVICE ANTISTATIK VORRICHTUNG
 BS 5146



6 **O**
BREVETTO - PATENTED
00219688

 -"O" RING STELO "O" RING ON STEM
 -TIGE AVEC "O" RING
 -"O" RING IM SPINDELBEREICH



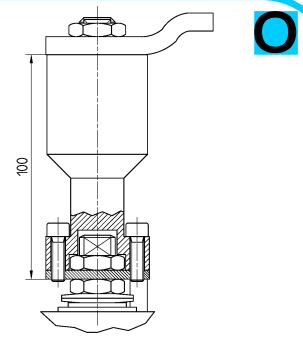
ISO 9001:2008 by L.R.
 PED DIR. 97/23/EC by L.R.
 ATEX DIR. 94/9/EC by B.V.
 FIRE SAFE EXECUTION by L.R.
 ISO 15848 by TÜV
 ANTISTATIC DEVICE by L.R.
 FIRE SAFE TESTED ISO 10497 by L.R.

TYPE
FE2
 ANSI 150

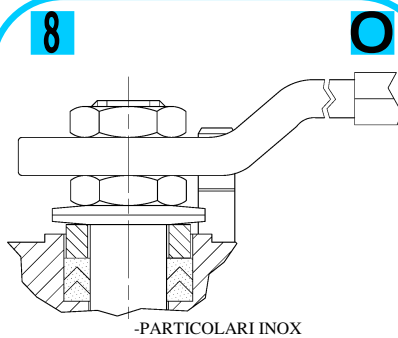
VALVOLA A SFERA "ANSI B16.10" PASSAGGIO TOTALE
 BALL VALVES "ANSI B16.10" FULL BORE

ROBINETS A BOULE "ANSI B16.10" PASSAGE INTEGRAL
 FLANSCHKUGELHÄHNEN IN "ANSI B16.10" VOLLER DURCHGANG

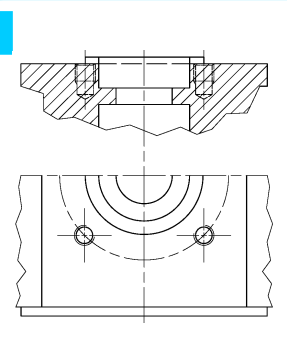
• ESECUZIONI • EXECUTIONS • EXECUTIONS • AUSFÜHRUNGEN

7 

-PROLUNGA STELO -STEM EXTENSION
 -TIGE PROLONGEE -SPINDELVERLÄNGERUNG

8 

-PARTICOLARI INOX
 -STAINLESS STEEL DETAILS
 -ACCESSOIRES EN INOX
 -EDELSTAHLTEILE

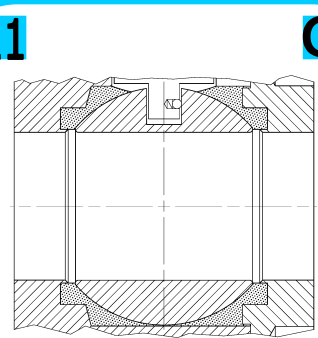
9 

-ATTACCO "ISO" -"ISO" FASTENING
 -SYSTEM "ISO" -ANSCHLUSS "ISO"

ADLER

UNA GAMMA COMPLETA
 PRIVILEGIANDO LA QUALITA'

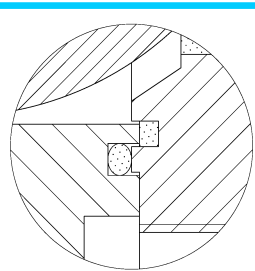
A COMPLETE RANGE PRIVILEGING
 THE QUALITY

11 

-TENUTA INTEGRALE -POCKETLESS SEATS
 -TENUCE INTEGRALE -TOTRAUMARM
 -P.T.F.E. / R.T.F.E.

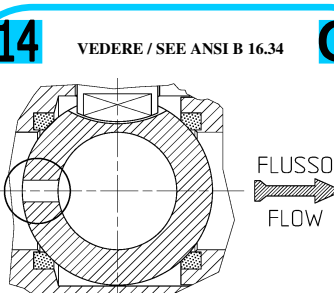
12 FIRE SAFE
 ISO 10497 "ISO-FT"
 (BS 6755 / API 607)



13 

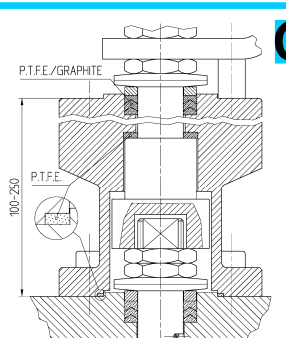
BREVETTO - PATENTED
 00219619

-DOPPIA TENUTA -DOUBLE SEALS
 -DOUBLE ETANCHEITE -DOPPELTE ABDICHTUNG
 -LATERALE A BATTUTA -METAL BEATING END
 -LATERAL AVEC BATTUE MECANIQUE
 -METALLISCHER ANSCHLAG DES
 GEGENGEHAUSES

14 VEDERE / SEE ANSI B 16.34 

FLUSSO
 FLOW

-FORO DI SCARICO NELLA SFERA
 -OVERPRESSURE HOLE INTO BALL
 -TROU DECOMPRESSION DANS LA BOULE
 -ENTLASTUNGSBOHRUNG IN DER KUGEL
 VALVOLA MONO DIREZIONALE
 MONO-DIRECTIONAL VALVE

15 

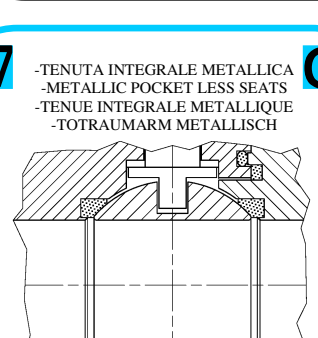
P.T.F.E./GRAPHITE
 P.T.F.E.

100-250

-SERVIZIO CRIOGENICO -CRYOGENIC SERVICE
 -SERVICE CRYOGÉNIQUE
 -TIEFTEMPORATUR SERVICE

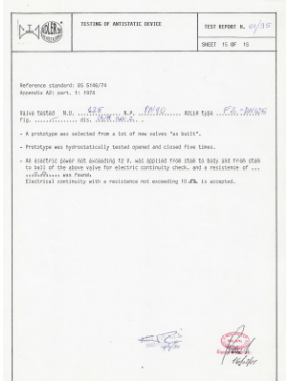
16 

-FIRE SAFE ISO FT + "O" RING STELO
 -FIRE SAFE ISO FT + "O" RING ON STEM
 -SECURITE FEU ISO FT + TIGE AVEC "O" RING
 -FEUERSICHERE AUSFÜHRUNG ISO FT +
 "O" RING IM SPINDELBEREICH

17 

-TENUTA INTEGRALE METALLICA
 -METALLIC POCKET LESS SEATS
 -TENUCE INTEGRALE METALLIQUE
 -TOTRAUMARM METALLISCH

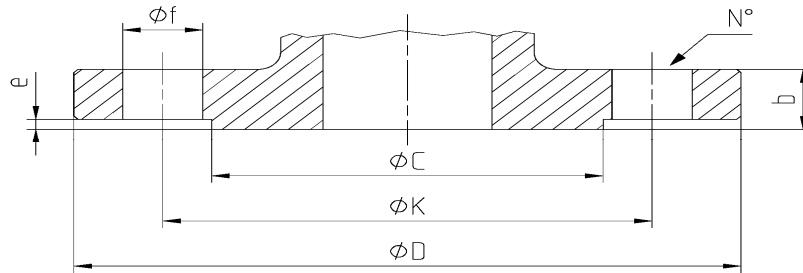
**ANTISTATIC DEVICE
 CERTIFICATE**





**DIMENSIONI FLANGE FE2
FLANGE DIMENSION FE2
DIMENSIONS BRIDES FE2
FLANSCHANSCHLUSSMASSE FE2**

**TABLE
04**



ANSI B16.5

DN	Ref.	1/2"	3/4"	1"	1 1/4"	1 1/2"	2"	2 1/2"	3"	4"	5"	6"	8"	10"	12"	
ANSI 150 RF	D	88.9	98.6	108	117.4	127	152.4	177.8	190.5	228.6	254	279.4	342.9			
	C	35.1	43	50.8	63.5	92	104.7	127	157.3	185.7	215.9	269.8	269.8			
	K	6035	69.9	79.2	88.9	98.6	120.7	139.7	152.4	190.5	215.9	241.3	298.5			
	N°	4	4	4	4	4	4	4	4	8	8	8	8			
	f	15.8	15.8	15.8	15.8	19.1	19.1	19.1	19.1	19.1	22.4	22.4	22.4			
	b	11.2	12.7	14.3	15.8	17.6	19.1	22.4	23.9	23.9	23.9	23.9	25.4	28.5		
	e	1.6	1.6	1.6	1.6	1.6	1.6	1.6	1.6	1.6	1.6	1.6	1.6	1.6		

EN 1092-1 (OPTIONAL)

DN	Ref.	10	15	20	25	32	40	50	65	80	100	125	150	200	250	300	
PN 10/16	D		95	105	115	140	150	165	185	200	220	250	285	340			
	C		45	58	68	78	88	102	122	138	158	188	212	268			
	K		65	75	85	100	110	125	145	160	180	210	240	295			
	N°		4	4	4	4	4	4	4*	8	8	8	8	8			
	f		14	14	14	18	18	18	18	18	18	18	22	22			
	b		16	18	18	18	18	18	18	18	20	20	22	22	24		
	e		2	2	2	2	3	3	3	3	3	3	3	3	3		
PN 25/40	D		95	105	115	140	150	165	185	200	235	270	300	375			
	C		45	58	68	78	88	102	122	138	162	188	218	285			
	K		65	75	85	100	110	125	145	160	190	220	250	320			
	N°		4	4	4	4	4	4	8	8	8	8	8	12			
	f		14	14	14	18	18	18	18	18	22	26	26	30			
	b		16	18	18	18	18	20	22	24	24	26	28	34			
	e		2	2	2	2	3	3	3	3	3	3	3	3			

* n°8 fori

