

ISO 9001 by L.R.  
PED DIR. 2014/68/UE by L.R.  
ATEX DIR. 2014/34/UE by B.V.  
FIRE SAFE EXECUTION BS6755/API 607 by L.R.  
FIRE SAFE TESTED ISO 10497 by L.R.  
ISO 15848 by TÜV  
ANTISTATIC DEVICE by L.R.  
EAC CERTIFICATION by B.V.

TYPE  
**FP2**  
PN 40 ÷ 100

NORME E DIRETTIVE APPLICATE DISPONIBILI AL SEGUENTE LINK:  
STANDARD AND DIRECTIVE APPLIED AVAILABLE AT FOLLOWING LINK:  
[http://www.adlerspa.com/pdf/NORME\\_ADLER.pdf](http://www.adlerspa.com/pdf/NORME_ADLER.pdf)

## VALVOLE A SFERA "2 PEZZI" PASSAGGIO TOTALE EN 10226-1 (ex ISO 7-1 Rp) – ANSI B1.20.1 NPT

ACTUATED  
BALL VALVES  
CERTIFIED  
SIL 3 Capable  
According to IEC 61508

FULL BORE ACCORDING  
TO ISO 14313



CONSTRUCTION ACCORDING TO:  
BS EN 12516-2 - DIN 3202 M3  
ISO 14313



**BALL VALVES "2 PIECES" FULL BORE**  
**ROBINETS A BOISSEAU SPHERIQUE**  
**"2 PIECES" PASSAGE INTEGRAL**  
**KUGELHÄHNE "2 TEILIG"**  
**VOLLER DURCHGANG**

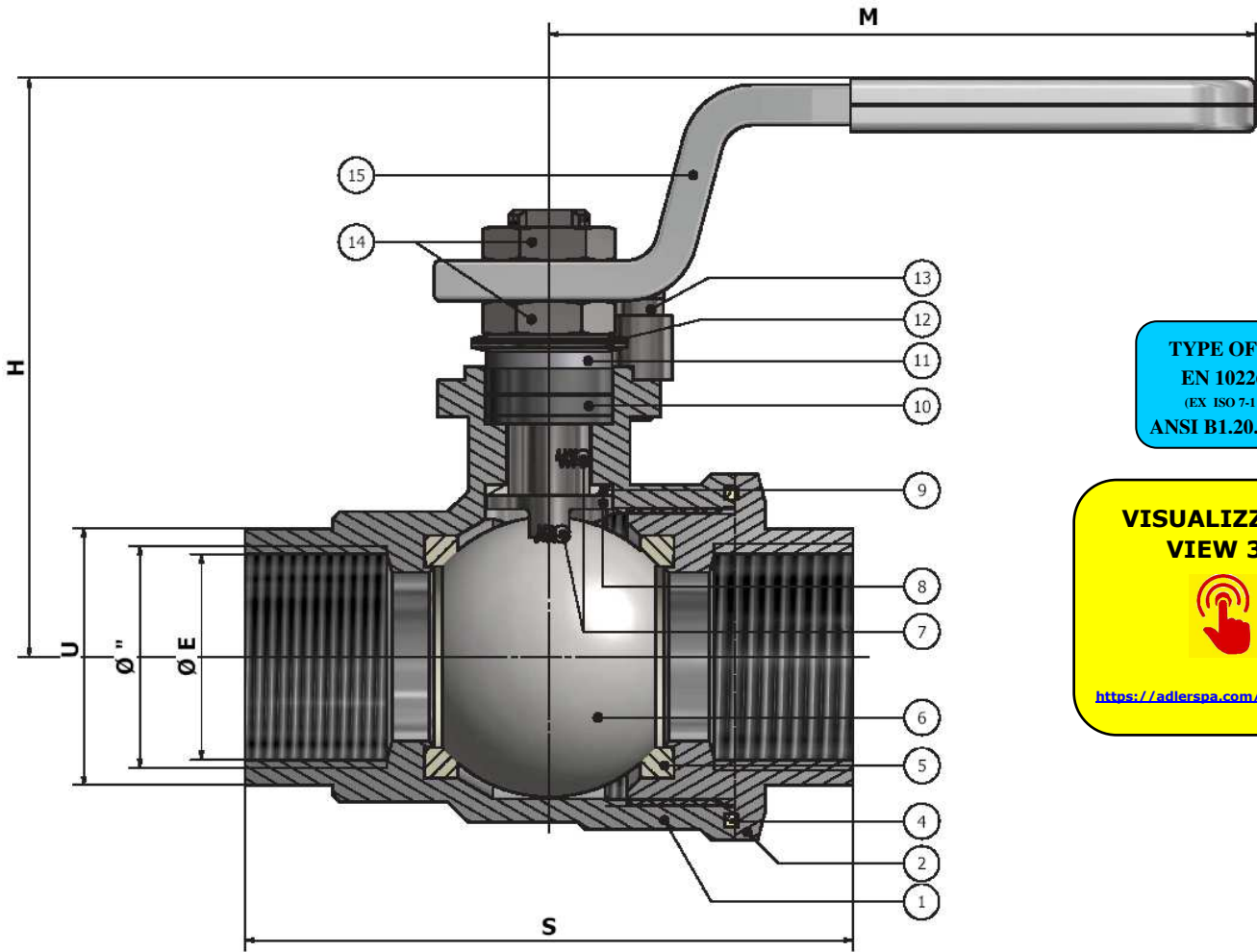
WEB SITE: [WWW.ADLERSPA.COM](http://WWW.ADLERSPA.COM)



ISO 9001 by L.R.  
 PED DIR. 2014/68/UE by L.R.  
 ATEX DIR. 2014/34/UE by B.V.  
 FIRE SAFE EXECUTION BS6755/API 607 by L.R.  
 FIRE SAFE TESTED ISO 10497 by L.R.  
 ISO 15848 by TÜV  
 ANTISTATIC DEVICE by L.R.  
 EAC CERTIFICATION by B.V.

TYPE  
**FP2**  
 PN 40 ÷ 100

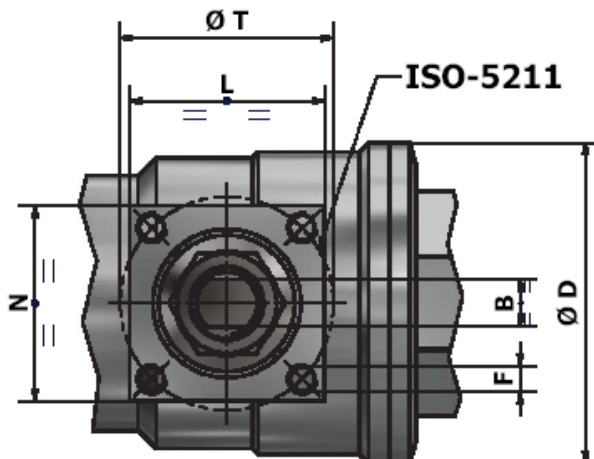
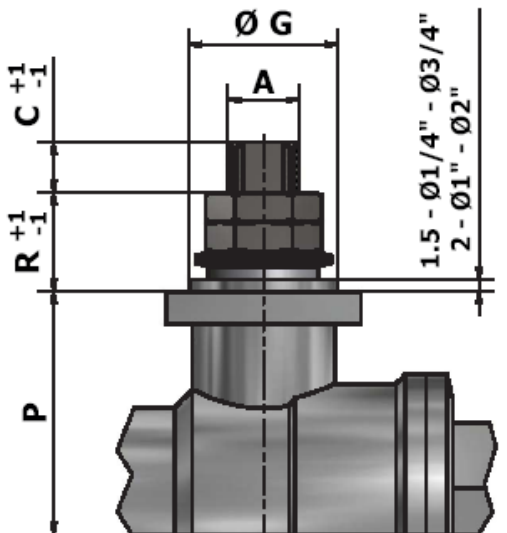
VALVOLA A SFERA "2 PEZZI" PASSAGGIO TOTALE  
 BALL VALVES "2 PIECE" FULL BORE  
 ROBINETS A BOISSEAU SPHERIQUE "2 PIECES" PASSAGE INTEGRAL  
 KUGELHÄHN "2 TEILIG" VOLLER DURCHGANG



TYPE OF Ø":  
 EN 10226-1  
 (EX ISO 7-1 Rp)  
 ANSI B1.20.1 NPT

VISUALIZZA 3D  
 VIEW 3D

<https://adlerspa.com/prodotti/fp2>





ISO 9001 by L.R.  
 PED DIR. 2014/68/UE by L.R.  
 ATEX DIR. 2014/34/UE by B.V.  
 FIRE SAFE EXECUTION BS6755/API 607 by L.R.  
 FIRE SAFE TESTED ISO 10497 by L.R.  
 ISO 15848 by TÜV  
 ANTISTATIC DEVICE by L.R.  
 EAC CERTIFICATION by B.V.

TYPE  
**FP2**  
 PN 40 ÷ 100

N.	DESCRIZIONE DESCRIPTION DESCRIPTION BESCHREIBUNG	MATERIALI MATERIALS MATERIAUX WERKSTOFFE
1	CORPO BODY CORPS MITTE	ASTM A 351 CF8M
2	GHIERA INSERT EMBOUT GEWINDED RUCKRING	ASTM A 351 CF8M
3		
4*	ANELLO SEAL ANNEAU DICHTUNGSRING	P.T.F.E.
5 *	SEDE RINFORZATA SEAT REINFORCED SIEGERREINFORCEE SITZRING VERSTÄRKT	P.T.F.E. / 15% FIBERGLASS
6	SFERA BALL BOULE KUGEL	ASTM A479 304/304L ASTM A351 CF8 ASTM A479 316/316L ASTM A351 CF8M
7	DISPOSITIVO ANTISTATICO ANTISTATIC DEVICE CONTACT ANTISTATIQUE ANTISTATIK VORRICHTUNG	ASTM A479 316/316L
8	STELO STEM TIGE SPINDEL	ASTM A479 304/304L ASTM A479 316/316L

N.	DESCRIZIONE DESCRIPTION DESCRIPTION BESCHREIBUNG	MATERIALI MATERIALS MATERIAUX WERKSTOFFE
9*	BUSSOLA STEM SEAL JOINT TIGE UNTERE SPINDELABDICHTUNG	P.T.F.E.
10*	PACCO A "V" CHEVRON RINGS JOINT A "V" 3 FACHE DACHMANSCHETTE	P.T.F.E. / GRAFITE P.T.F.E. / GRAPHITE P.T.F.E. / GRAPHITE P.T.F.E. / GRAPHIT
11	PREMIBUSSOLA PRESSING BUSH PRESSE RONDELLE STOPFBUCHSDRUCKRING	ASTM A479 304
12	MOLLE A TAZZA SPRING WASHERS RONDELLES BELLEVILLE TELLERFEDERN	C72/50Cr V4 ZINCATO - GALVANIZED - ZINGUE - VERZINKT X10CrNi18.8 ON REQUEST
13	VITE DI FERMO E FERMO PIN AND STOP PIN PLOT ET PLOT D'ARRET ANSCHLAGBOLZEN	UNI3740 8.8 ZINCATO - GALVANIZED - ZINGUE - VERZINKT UNI 3951 A2-70 ON REQUEST
14	DADO - CONTRODADO NUT - LOCK NUT ECROU - CONTRE-ECROU MUTTER - KONTERMUTTER	UNI 3740 - 6S ZINCATO - GALVANIZED ZINGUE - VERZINKT ASTM A479 304 ON REQUEST
15	LEVA WRENCH LEVIER HANDHEBEL	AISI 1010 GALVANIZED AND PAINTED FOR S.S. VALVES PAINTED FOR C.S. VALVES ASTM A479 304 ON REQUEST
16		

\* RICAMBI CONSIGLIATI - RECOMMENDED SPARE PARTS - PIECES DE RECHANGE CONSEILLEES - ERSATZTEIL EMPFEHLUNG

ON REQUEST P.T.F.E. AVAILABLE CERTIFIED BAM, FDA, MOCA

**DIMENSIONI - DIMENSION - DIMENSIONS - ABMESSUNGEN**

Ø	1/4"	3/8"	1/2"	3/4"	1"	1 1/4"	1 1/2"	2"	2 1/2"	3"	4"	5"	6"	8"
A	8	8	10	10	12	12	16	16						
B	5	5	6	6	8	8	10	10						
C	6	6	7	7	10	10	15	15						
D	31	31	40	46	54	62	73	97						
E	10	10	15	19	25	30	38	51						
F	M5	M5	M5	M5	M5	M5	M6	M6						
ISO	F03	F03	F03	F03	F03	F03	F05	F05						
G	25	25	25	25	25	25	35	35						
H	46	46	66	68	85	91	106	116						
L=N	33	33	36	36	36	36	51	51						
M	120	120	145	145	185	185	280	280						
P	17,5	17,5	26	28,5	41	45,5	50,5	60,5						
R	12	12	14	14	17	17	20	20						
S	50	60	75	80	90	110	120	140						
T	36	36	36	36	36	36	50	50						
U	22	22	26	32	38	47	54	66						
PN	100	100	64	64	40	40	40	40						
Kg	0,3	0,35	0,45	0,6	0,9	1,25	2,1	3,6						

PN 40 ÷ 100  
 Class 800

- DATI E CARATTERISTICHE SOGGETTI A VARIAZIONI SENZA PREAVVISO
- SPECIFICATIONS SUBJECT TO MODIFICATION WITHOUT PRIOR NOTICE
- TOUS DROITS DE MODIFICATION RESERVES
- KONSTRUKTIONSÄNDERUNGEN VORBEHALTEN



ADLER SpA - BALL VALVES  
 20010 S. STEFANO TICINO (MI) ITALY V.le BORLETTI, 14 Tel. +39/02974842.11 FAX +39/0297271698  
 E-mail: [adler@adlerspa.com](mailto:adler@adlerspa.com) <http://www.adlerspa.com>



ISO 9001 by L.R.  
 PED DIR. 2014/68/UE by L.R.  
 ATEX DIR. 2014/34/UE by B.V.  
 FIRE SAFE EXECUTION BS6755/API 607 by L.R.  
 FIRE SAFE TESTED ISO 10497 by L.R.  
 ISO 15848 by TÜV  
 ANTISTATIC DEVICE by L.R.  
 EAC CERTIFICATION by B.V.

TYPE  
**FP2**  
 PN 40 ÷ 100

• ESECUZIONI • EXECUTIONS • EXECUTIONS • AUSFÜHRUNGEN



EXECUTION 4- 12



EXECUTION 6 - 16

**S** STANDARD

**O** OPTIONAL

**1** **S**

CYLINDRICAL THREAD

EN 10226-1 (ex ISO 7-1 Rp)

**S**

ONLY FOR VALVES ≥ DN 50

FORO DI BILANCIAMENTO  
 BALANCING HOLE  
 TROU DE BALANCEMENT  
 DRUCKENTLASTUNGSBOHRUNG

ON REQUEST AVAILABLE ON DN ≤ 40



**4** **S**

-STELO ANTI ESPULSIONE -ANTI BLOW OUT STEM  
 -TIGE ANTIEXPULSION -AUSBLASGESICHERETE WELLE

-PACCO A "V" -CHEVRON RINGS  
 -JOINT A "V" -3 FACHE DACHMANSCHETE  
 ANTISTATIC DEVICE ANTISTATIK VORRICHTUNG  
 BS 5146

**5** **O**

DN 1/4" ÷ 1 1/4"

103 (DN 10 - 20)  
 145 (DN 25 - 32)

69 (DN 10 - 20)  
 79 (DN 25 - 32)

57

-MANIGLIA OVALE - OVAL HANDLE  
 -LEVIER OVAL -HANDHEBEL IN OVALFORM

**6** **O**

BREVETTO - PATENTED  
 00219688 - 21-04-1993

FKM (VITON)

From Ø 1/2" to 2"

-“O” RING STELO “O” RING ON STEM  
 -TIGE AVEC “O” RING  
 -“O” RING IM SPINDELBEREICH





ISO 9001 by L.R.  
 PED DIR. 2014/68/UE by L.R.  
 ATEX DIR. 2014/34/UE by B.V.  
 FIRE SAFE EXECUTION BS6755/API 607 by L.R.  
 FIRE SAFE TESTED ISO 10497 by L.R.  
 ISO 15848 by TÜV  
 ANTISTATIC DEVICE by L.R.  
 EAC CERTIFICATION by B.V.

TYPE  
**FP2**  
 PN 40 ÷ 100

**7** **O**

-PROLUNGA STELO -STEM EXTENSION  
 -TIGE PROLONGEE -SPINDELVERLÄNGERUNG

**8** **O**

-PARTICOLARI INOX  
 -STAINLESS STEEL DETAILS  
 -ACCESSOIRES EN INOX  
 -EDELSTAHLTEILE

**9** **S**

-ATTACCO "ISO" -"ISO" CONNECTIONS  
 -SYSTEM "ISO" -ANSCHLUSS "ISO"

**ANTISTATIC DEVICE CERTIFICATE**

**ADLER**

UNA GAMMA COMPLETA  
 PRIVILEGIANDO LA QUALITA'

A COMPLETE RANGE PRIVILEGING  
 THE QUALITY

**12** **O**

**FIRE SAFE  
 ISO 10497 "ISO-FT"  
 (BS 6755 / API 607)**

**13** **S**

-ANELLO CONTENUTO - ANNEAU CONTENU  
 -CONTAINED SEAL -DICHRING GEKAMMERT

**14** **O**

VEDERE / SEE ANSI B16.34

FLUSSO  
 FLOW

-FORO DI SCARICO NELLA SFERA  
 -OVERPRESSURE HOLE INTO BALL  
 -TROU DECOMPRESSION DANS LA BOULE  
 -ENTLASTUNGSBOHRUNG IN DER KUGEL  
 VALVOLA MONO DIREZIONALE  
 MONO-DIRECTIONAL VALVE

**15** **O**

P.T.F.E./GRAPHITE  
 P.T.F.E.  
 100-250

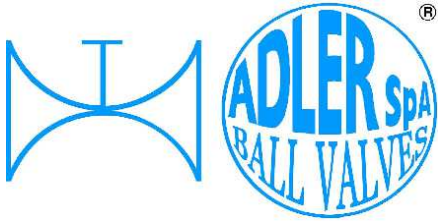
- SERVIZIO CRIOGENICO - CRYOGENIC SERVICE  
 - SERVICE CRYOGENIQUE  
 - TIEFTEMPORATUR SERVICE

**16** **O**

-FIRE SAFE ISO FT+ "O" RING STELO  
 -FIRE SAFE ISO FT+ "O" RING ON STEM  
 -SECURITE FEU ISO FT+ TIGE AVEC "O" RING  
 -FEUERSICHERE AUSFÜHRUNG ISO FT+  
 "O" RING IM SPINDELBEREICH

**LOCKING DEVICE  
 OPEN OR CLOSE POSITIONS**

**S.I.L. 3 CERTIFICATION**

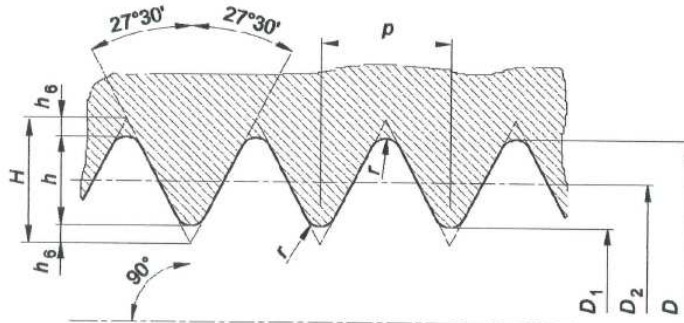


ISO 9001 by L.R.  
 PED DIR. 2014/68/UE by L.R.  
 ATEX DIR. 2014/34/UE by B.V.  
 FIRE SAFE EXECUTION BS6755/API 607 by L.R.  
 FIRE SAFE TESTED ISO 10497 by L.R.  
 ISO 15848 by TÜV  
 ANTISTATIC DEVICE by L.R.  
 EAC CERTIFICATION by B.V.

TYPE  
**FP2**  
 PN 40 ÷ 100

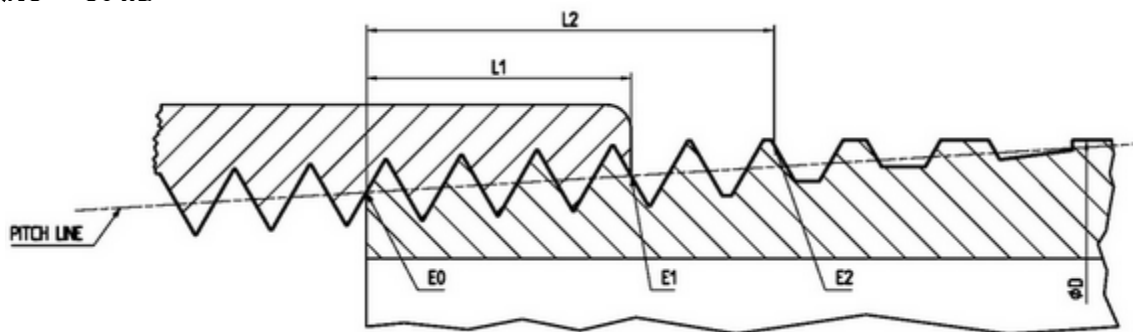
CARATTERISTICHE DEL FILETTO - THREAD FEATURES - FILETAGE CARACTÉRISTIQUES - GEWINDE KENNDATEN

IN ACCORDANCE TO  
 EN 10226-1 (ex ISO 7-1 Rp)



1	2	3	4	Diameters of gauges plane			Gauges length (external threads)					Tolerance on position of gauge plan on internal thread		Length of useful external thread not less than			Assembly length		Diameter tolerance on parallel internal threads	
				Major d	Pitch d <sub>2</sub>	Minor d <sub>1</sub>	Nominal	Tolerance ±t <sub>p</sub> /2			Tolerance ±t <sub>p</sub> /2	Turns of thread	Max.	Min.	For nominal gauge length	For maximum gauge length	For minimum gauge length	2)		Turns of thread
								2)	Turns of thread	2)										
1/4	19	1,337	0,856	13,16	12,30	11,45	6	1,3	1	7,3	4,7	1,7	1 1/4	9,7	11	8,4	3,7	2 3/4	±0,104	
3/8	19	1,337	0,856	16,66	15,81	14,95	6,4	1,3	1	7,7	5,1	1,7	1 1/4	10,1	11,4	8,8	3,7	2 3/4	±0,104	
1/2	14	1,814	1,162	20,96	19,79	18,63	8,2	1,8	1	10	6,4	2,3	1 1/4	13,2	15	11,4	5	2 3/4	±0,142	
3/4	14	1,814	1,162	26,44	25,28	24,12	9,5	1,8	1	11,3	7,7	2,3	1 1/4	14,5	16,3	12,7	5	2 3/4	±0,142	
1	11	2,309	1,479	33,25	31,77	30,29	10,4	2,3	1	12,7	8,1	2,9	1 1/4	16,8	19,1	14,5	6,4	2 3/4	±0,180	
1 1/4	11	2,309	1,479	41,91	40,43	38,95	12,7	2,3	1	15	10,4	2,9	1 1/4	19,1	21,4	16,8	6,4	2 3/4	±0,180	
1 1/2	11	2,309	1,479	47,80	46,32	44,85	12,7	2,3	1	15	10,4	2,9	1 1/4	19,1	21,4	16,8	6,4	2 3/4	±0,180	
2	11	2,309	1,479	59,61	58,14	56,63	15,9	2,3	1	18,2	13,6	2,9	1 1/4	23,4	25,7	21,1	7,5	3 1/4	±0,180	

IN ACCORDANCE TO  
 ANSI B1.20.1 – 1983



1	2	3	4	5	Handtight engagement			Effective thread, external		
					Length <sup>2</sup> (L <sub>1</sub> )		Diam. <sup>3</sup> (E <sub>1</sub> )	Length <sup>4</sup> (L <sub>2</sub> )		Diam. <sup>5</sup> (E <sub>2</sub> )
					inch	threads		inch	threads	
1/4	0,540	18	0,05556	0,47739	0,2278	4,1	0,49163	0,4018	723	0,50250
3/8	0,675	18	0,05556	0,61201	0,240	4,32	0,32701	0,4078	734	0,63750
1/2	0,840	14	0,07143	0,75843	0,320	4,48	0,77843	0,5337	747	0,79179
3/4	1,050	14	0,07143	0,96768	0,339	4,75	0,98887	0,5457	764	1,00179
1	1,315	11,5	0,0896	1,21363	0,400	4,6	1,23863	0,6828	785	1,25630
1 1/4	1,660	11,5	0,0896	1,55713	0,420	4,83	1,58338	0,7068	813	1,60130
1 1/2	1,900	11,5	0,0896	1,79609	0,420	4,83	1,82237	0,7235	832	1,84130
2	2,375	11,5	0,0896	2,26902	0,436	5,01	2,29627	0,7565	870	2,31630