

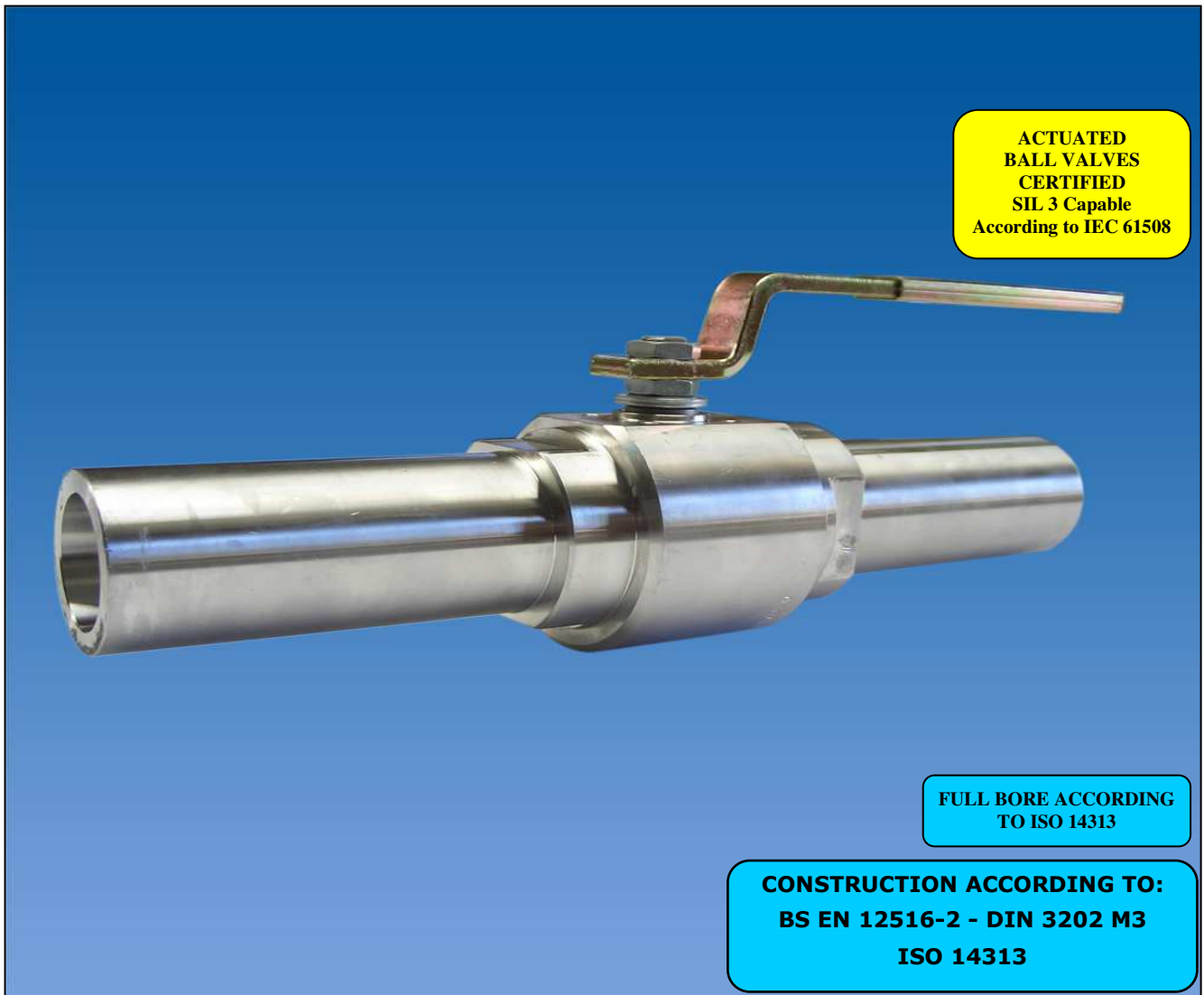


ISO 9001 by L.R.  
PED DIR. 2014/68/UE by L.R.  
ATEX DIR. 2014/34/UE by B.V.  
FIRE SAFE EXECUTION BS6755/API 607 by L.R.  
FIRE SAFE TESTED ISO 10497 by L.R.  
ISO 15848 by TÜV  
ANTISTATIC DEVICE by L.R.  
EAC CERTIFICATION by B.V.

TYPE  
**FR2**  
PN 40 ÷ 210

NORME E DIRETTIVE APPLICATE DISPONIBILI AL SEGUENTE LINK:  
STANDARD AND DIRECTIVE APPLIED AVAILABLE AT FOLLOWING LINK:  
[http://www.adlerspa.com/pdf/NORME\\_ADLER.pdf](http://www.adlerspa.com/pdf/NORME_ADLER.pdf)

## VALVOLE A SFERA "2 PEZZI" PASSAGGIO TOTALE B.W. - S.W.



ACTUATED  
BALL VALVES  
CERTIFIED  
SIL 3 Capable  
According to IEC 61508

FULL BORE ACCORDING  
TO ISO 14313

CONSTRUCTION ACCORDING TO:  
BS EN 12516-2 - DIN 3202 M3  
ISO 14313

**BALL VALVES "2 PIECE" FULL BORE**  
**ROBINETS A BOISSEAU SPHERIQUE**  
**"2 PIECES" PASSAGE INTEGRAL**  
**KUGELHÄHNE "2 TEILIG" VOLLER DURCHGANG**

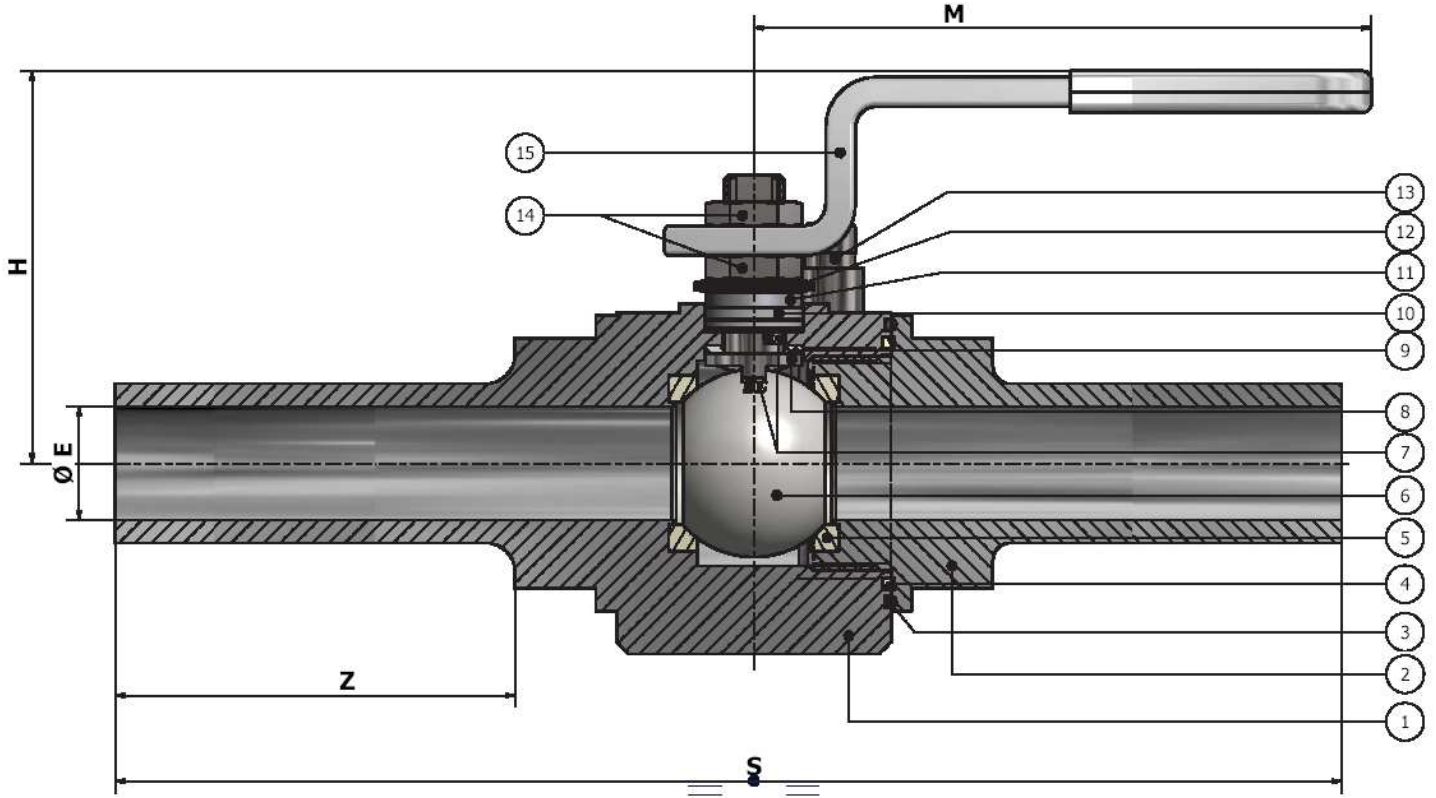
WEB SITE: [WWW.ADLERSPA.COM](http://WWW.ADLERSPA.COM)



ISO 9001 by L.R.  
 PED DIR. 2014/68/UE by L.R.  
 ATEX DIR. 2014/34/UE by B.V.  
 FIRE SAFE EXECUTION BS6755/API 607 by L.R.  
 FIRE SAFE TESTED ISO 10497 by L.R.  
 ISO 15848 by TÜV  
 ANTISTATIC DEVICE by L.R.  
 EAC CERTIFICATION by B.V.

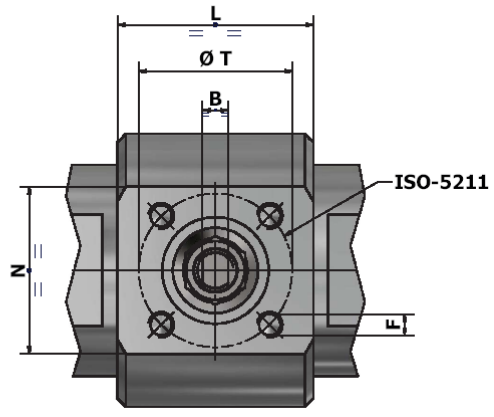
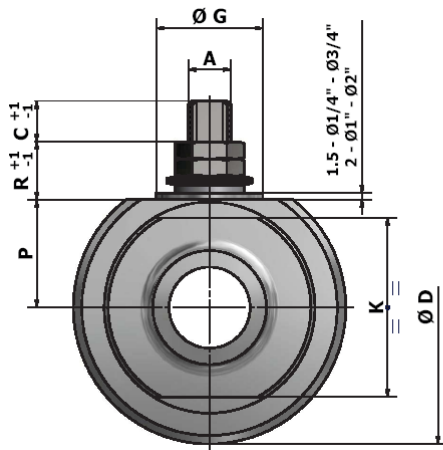
TYPE  
**FR2**  
 PN 40 ÷ 210

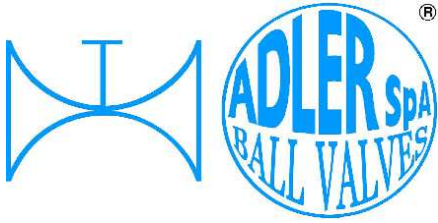
VALVOLA A SFERA "2 PEZZI" PASSAGGIO TOTALE  
 BALL VALVES "2 PIECE" FULL BORE  
 ROBINETS A BOISSEAU SPHERIQUE "2 PIECES" PASSAGE INTEGRAL  
 KUGELHÄHNE "2 TEILIG" VOLLER DURCHGANG



**VISUALIZZA 3D  
 VIEW 3D**

<https://adlerspa.com/prodotti/fr2>





ISO 9001 by L.R.  
 PED DIR. 2014/68/UE by L.R.  
 ATEX DIR. 2014/34/UE by B.V.  
 FIRE SAFE EXECUTION BS6755/API 607 by L.R.  
 FIRE SAFE TESTED ISO 10497 by L.R.  
 ISO 15848 by TÜV  
 ANTISTATIC DEVICE by L.R.  
 EAC CERTIFICATION by B.V.

TYPE  
**FR2**  
 PN 40 ÷ 210

N.	DESCRIZIONE DESCRIPTION DESCRIPTION BESCHREIBUNG	MATERIALI MATERIALS MATERIAUX WERKSTOFFE
1	CORPO BODY CORPS MITTE	ASTM A105 ASTM A479 304/304L ASTM A479 316/316L
2	GHIERA INSERT EMBOUT GEWINDEDRUCKRING	ASTM A105 ASTM A479 304/304L ASTM A479 316/316L
3*	O'RING	FKM (VITON)
4*	ANELLO SEAL ANNEAU DICHTUNGSRING	P.T.F.E.
5*	SEDE RINFORZATA SEAT REINFORCED SIEGE RENFORCE SITZRING VERSTÄRKT	P.T.F.E. / 15% FIBERGLASS P.T.F.E. / STAINLESS STEEL
6	SFERA BALL BOULE KUGEL	ASTM A479 304/304L ASTM A351 CF8 ASTM A479 316/316L ASTM A351 CF8M
7	DISPOSITIVO ANTISTATICO ANTISTATIC DEVICE CONTACT ANTISTATIQUE ANTISTATIK VORRICHTUNG	ASTM A479 316/316L
8	STELO STEM TIGE SPINDEL	ASTM A479 304/304L ASTM A479 316/316L

N.	DESCRIZIONE DESCRIPTION DESCRIPTION BESCHREIBUNG	MATERIALI MATERIALS MATERIAUX WERKSTOFFE
9*	BUSSOLA STEM SEAL JOINT TIGE UNTERE SPINDELABDICHTUNG	P.T.F.E.
10*	PACCO A "V" CHEVRON RINGS JOINT A "V" 3 FACHE DACHMANSCHETTE	P.T.F.E. / GRAFITE P.T.F.E. / GRAPHITE P.T.F.E. / GRAPHITE P.T.F.E. / GRAPHIT
11	PREMIBUSSOLA PRESSING BUSH PRESSE RONDELLE STOPFBUCHSDRUCKRING	ASTM A479 304
12	MOLLE A TAZZA SPRING WASHERS RONDELLES BELLEVILLE TELLERFEDERN	C72/50Cr V <sub>4</sub> ZINCATO - GALVANIZED - ZINGUE - VERZINKT X10CrNi18.8 ON REQUEST
13	VITE DI FERMO E FERMO PIN AND STOP PIN PLOT ET PLOT D'ARRET ANSCHLAGBOLZEN	UNI3740 ZINCATO - GALVANIZED - 8.8 ZINGUE - VERZINKT UNI 3951 ON REQUEST A2-70
14	DADO - CONTROLDADO NUT - LOCK NUT ECROU - CONTRE-ECROU MUTTER - KONTERMUTTER	UNI 3740 - ZINCATO - GALVANIZED 65 ZINGUE - VERZINKT ASTM A479 ON REQUEST 304
15	LEVA WRENCH LEVIER HANDHEBEL	AISI 1010 GALVANIZED AND PAINTED FOR S.S. VALVES PAINTED FOR C.S. VALVES ASTM A479 ON REQUEST 304
16		

\* RICAMBI CONSIGLIATI - RECOMMENDED SPARE PARTS - PIECES DE RECHANGE CONSEILLEES - ERSATZTEIL EMPFEHLUNG

ON REQUEST P.T.F.E. AVAILABLE CERTIFIED BAM, FDA, MOCA

## DIMENSIONI - DIMENSION - DIMENSIONS - ABMESSUNGEN

Ø	1/4"	3/8"	1/2"	3/4"	1"	1 1/4"	1 1/2"	2"	2 1/2"	3"	4"	5"	6"	8"
A		8	10	10	12	12	16	16	22	22	30			
B		5	6	6	8	8	10	10	14	14	18			
C		6	7	7	9	9	11	11	16	16	16.5			
D		49,5	59	64	74	80	99	119	169	186	220			
E		10	15	19	25	30	38	51	64	76	101			
F		M5	M5	M5	M5	M5	M6	M6	M8	M8	M8			
ISO		F03	F03	F03	F03	F03	F05	F05	F07	F07	F07			
G		25	25	25	25	25	35	35	55	55	55			
H		46	63	65	76	80	98	108	140	148	174			
K		30	38	42	50	55	70	85	120	130	//			
L		33	42	46	55	58	71	79	129	129	140			
M		120	145	145	185	185	280	280	370	370	470			
N		35	37	38	37	35	46	50	67	71	94			
P		17,7	23	25,3	32	36	44	54	77.5	86	100			
R		12	14	14	16	16	19	19	23.5	23.5	26.5			
S		260	275	280	290	310	320	340	325	345	380			
T		36	36	36	36	36	50	50	70	70	70			
Z		100	100	100	100	100	100	100	70	70	70			
PN		100	63	63	40	40	40	40	40	40	40			
PN		210	210	210	210	160	160	160	160	160	//			
~Kg		1,5	1,7	2,2	3,1	4,3	5,8	9,6	25	33	45			

- DATI E CARATTERISTICHE SOGGETTI A VARIAZIONI SENZA PREAVVISO
- SPECIFICATIONS SUBJECT TO MODIFICATIONS WITHOUT PRIOR NOTICE
- TOUS DROITS DE MODIFICATION RESERVES
- KONSTRUKTIONSÄNDERUNGEN VORBEHALTEN



ADLER SpA - BALL VALVES  
 20010 S. STEFANO TICINO (MI) ITALY V.le BORLETTI, 14 Tel. +39/02974842.11 FAX +39/0297271698  
 E-mail: [adler@adlerspa.com](mailto:adler@adlerspa.com) <http://www.adlerspa.com>



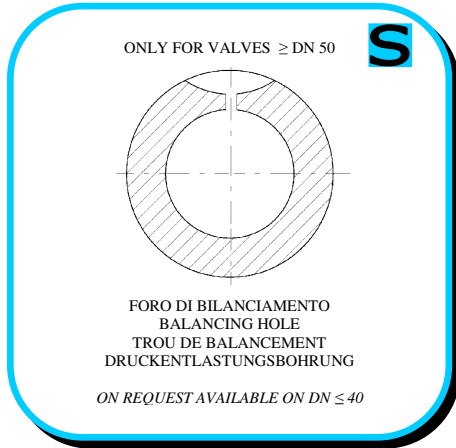
ISO 9001 by L.R.  
 PED DIR. 2014/68/UE by L.R.  
 ATEX DIR. 2014/34/UE by B.V.  
 FIRE SAFE EXECUTION BS6755/API 607 by L.R.  
 FIRE SAFE TESTED ISO 10497 by L.R.  
 ISO 15848 by TÜV  
 ANTISTATIC DEVICE by L.R.  
 EAC CERTIFICATION by B.V.

TYPE  
**FR2**  
 PN 40 ÷ 210

• ESECUZIONI • EXECUTIONS • EXECUTIONS • AUSFÜHRUNGEN



EXECUTION 4 - 12

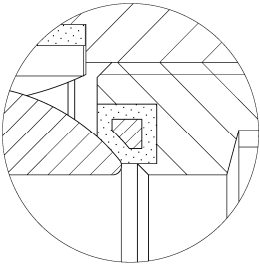


EXECUTION 6 - 16

**S** STANDARD

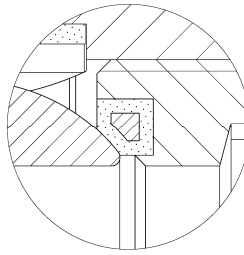
**O** OPTIONAL

**1** PN 160 ÷ 210 **S**



-SEDI ANIMA METALLICA -SEATS WITH METAL CORE  
 -SIEGES AVEC AME METALLIQUE -SITZE MIT METALLKERN

**2** PN 40 ÷ 100 **O**

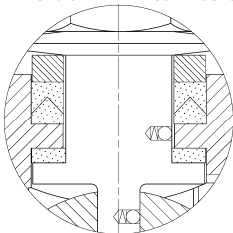


-SEDI ANIMA METALLICA -SEATS WITH METAL CORE  
 -SIEGES AVEC AME METALLIQUE -SITZE MIT METALLKERN



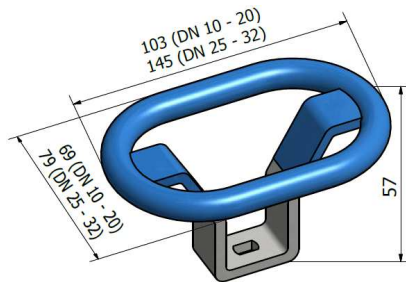
**4** **S**

-STELO ANTI ESPULSIONE -ANTI BLOW OUT STEM  
 -TIGE ANTIEXPULSION -AUSBLASGESICHERETE WELLE



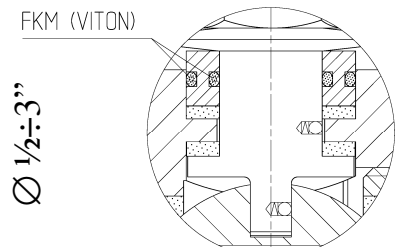
-PACCO A "V" -CHEVRON RINGS  
 -JOINT A "V" -3 FACHE DACHMANSCHETE  
 ANTISTATIC DEVICE ANTISTATIK VORRICHTUNG  
 BS 5146

**5** DN 1/4" ÷ 1 1/4" **O**

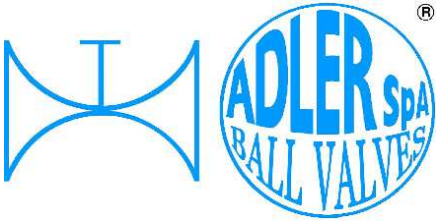


-MANIGLIA OVALE - OVAL HANDLE  
 -LEVIER OVAL -HANDHEBEL IN OVALFORM

**6** BREVETTO - PATENTED 00219688 **O**



-“O” RING STELO “O” RING ON STEM  
 -TIGE AVEC “O” RING  
 -“O” RING IM SPINDELBEREICH



ISO 9001 by L.R.  
 PED DIR. 2014/68/UE by L.R.  
 ATEX DIR. 2014/34/UE by B.V.  
 FIRE SAFE EXECUTION BS6755/API 607 by L.R.  
 FIRE SAFE TESTED ISO 10497 by L.R.  
 ISO 15848 by TÜV  
 ANTISTATIC DEVICE by L.R.  
 EAC CERTIFICATION by B.V.

TYPE  
**FR2**  
 PN 40 ÷ 210

**7** **O**

-PROLUNGA STELO -STEM EXTENSION  
 -TIGE PROLONGEE -SPINDELVERLÄNGERUNG

**8** **O**

-PARTICOLARI INOX  
 -STAINLESS STEEL DETAILS  
 -ACCESSOIRES EN INOX  
 -EDELSTAHLTEILE

**9** **S**

-ATTACCO "ISO" -"ISO" CONNECTIONS  
 -SYSTEM "ISO" -ANSCHLUSS "ISO"

**ADLER**

UNA GAMMA COMPLETA  
 PRIVILEGIANDO LA QUALITA'

A COMPLETE RANGE PRIVILEGING  
 THE QUALITY

**ANTISTATIC DEVICE  
 CERTIFICATE**

**12** **O**

**FIRE SAFE  
 ISO 10497 "ISO-FT"  
 (BS 6755 / API 607)**

**13** **S**

-DOPPIA TENUTA -DOUBLE SEALS  
 -DOUBLE ETANCHEITE -DOPPELTE ABDICHTUNG

**14** **O**

VEDERE / SEE ANSI B16.34

FLUSSO  
 FLOW

-FORO DI SCARICO NELLA SFERA  
 -OVERPRESSURE HOLE INTO BALL  
 -TROU DECOMPRESSION DANS LA BOULE  
 -ENTLASTUNGSBOHRUNG IN DER KUGEL  
 VALVOLA MONO DIREZIONALE  
 MONO-DIRECTIONAL VALVE

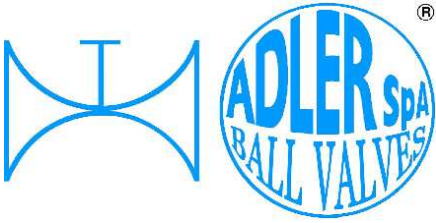
**15** **O**

P.T.F.E./GRAPHITE  
 P.T.F.E.  
 100-250

- SERVIZIO CRIOGENICO - CRYOGENIC SERVICE  
 - SERVICE CRYOGENIQUE  
 - TIEFTEMPORATUR SERVICE

**TESTING**

**TOLLERANCE CHECK 10<sup>-4</sup>**

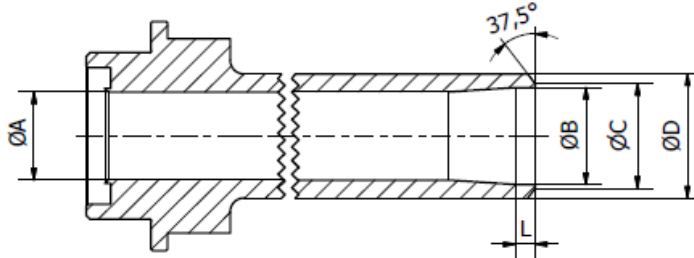


ISO 9001 by L.R.  
 PED DIR. 2014/68/UE by L.R.  
 ATEX DIR. 2014/34/UE by B.V.  
 FIRE SAFE EXECUTION BS6755/API 607 by L.R.  
 FIRE SAFE TESTED ISO 10497 by L.R.  
 ISO 15848 by TÜV  
 ANTISTATIC DEVICE by L.R.  
 EAC CERTIFICATION by B.V.

TYPE  
**FR2**  
 PN 40 ÷ 210

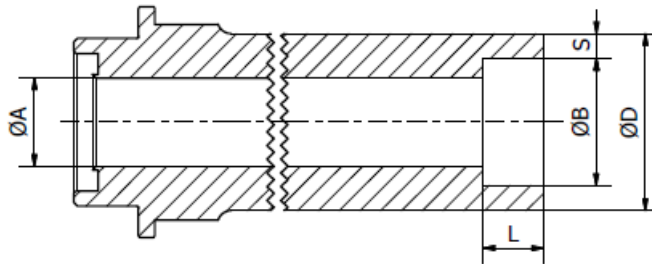
**CARATTERISTICHE DEL NIPPLO INTEGRALE - INTEGRAL NIPPLE CHARACTERISTICS  
 CARACTÉRISTIQUES DU NIPPLO INTÉGRAL - ABMESSUNGEN ANSCHWEISSENDEN**

**B.W. ANSI B 16.25 Sch. 40  
 (STANDARD ADLER)**



Ø	1/4"	3/8"	1/2"	3/4"	1"	1 1/4"	1 1/2"	2"	2 1/2"	3"	4"
Ø A	10	10	15	19	25	30	38	51	64	76	
Ø B	9,2	12,5	15,8	21	26,6	35	40,9	52,5	62,7	77,9	
Ø C	11,6	14,1	17,4	22,6	28,3	36,7	42,5	54,7	64,7	79,9	
Ø D	13,7	17,1	21,3	26,7	33,4	42,2	48,3	60,3	73	88,9	
L		3,5	4,2	4,3	5,1	5,5	5,6	5,9	30	10	

**S.W. ANSI B 16.11 SERIE 3000  
 DIN 3239 T2 R4-R5**



Ø	1/4"	3/8"	1/2"	3/4"	1"	1 1/4"	1 1/2"	2"			
Ø A		10	15	19	25	30	38	51			
Ø B		17,6	21,8	27,1	33,8	42,6	48,7	61,2			
Ø D		25	34	38	46	53,5	61	74			
L		10	9,7	12,7	12,7	12,7	12,7	15,8			
S		3,7	6,1	5,45	6,1	5,45	6,15	6,4			