



ISO 9001 by L.R.  
PED DIR. 2014/68/UE by L.R.  
ATEX DIR. 2014/34/UE by B.V.  
FIRE SAFE EXECUTION BS6755/API 607 by L.R.  
FIRE SAFE TESTED ISO 10497 by L.R.  
ISO 15848 by TÜV  
ANTISTATIC DEVICE by L.R.  
EAC CERTIFICATION by B.V.

TYPE  
**FR3**  
PN 40 ÷ 63

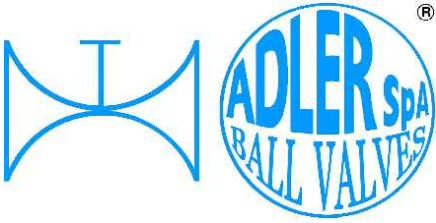
NORME E DIRETTIVE APPLICATE DISPONIBILI AL SEGUENTE LINK:  
STANDARD AND DIRECTIVE APPLIED AVAILABLE AT FOLLOWING LINK:  
[http://www.adlerspa.com/pdf/NORME\\_ADLER.pdf](http://www.adlerspa.com/pdf/NORME_ADLER.pdf)

## VALVOLE A SFERA "3 PEZZI" PASSAGGIO TOTALE S.W. – B.W.



**BALL VALVES "3 PIECES" FULL BORE S.W. – B.W.  
ROBINETS A BOISSEAU SPHERIQUE  
"3 PIECES" PASSAGE INTEGRAL S.W. – B.W.  
KUGELHÄHNE "3 TEILIG"  
VOLLER DURCHGANG S.W. – B.W.**

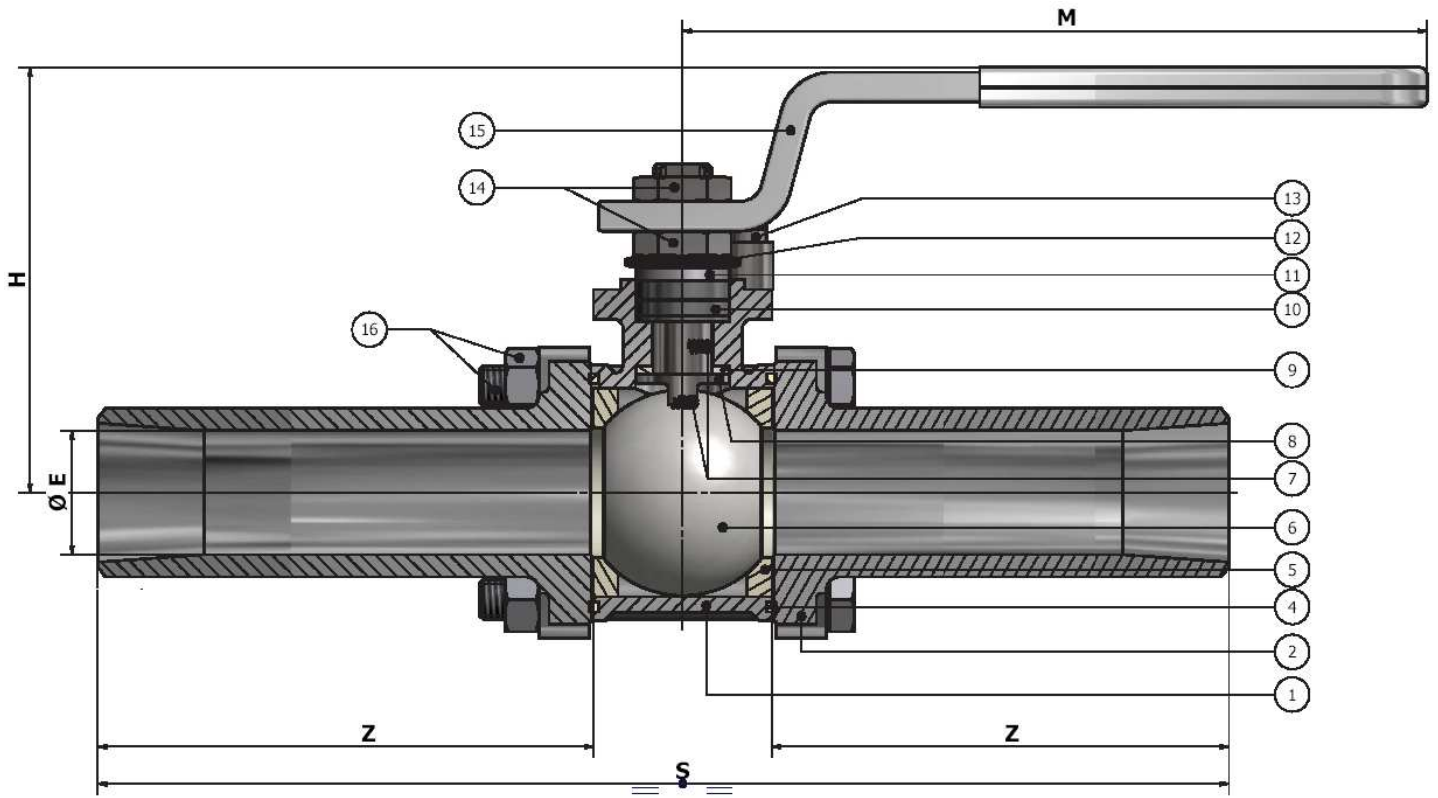
WEB SITE: [WWW.ADLERSPA.COM](http://WWW.ADLERSPA.COM)



ISO 9001 by L.R.  
 PED DIR. 2014/68/UE by L.R.  
 ATEX DIR. 2014/34/UE by B.V.  
 FIRE SAFE EXECUTION BS6755/API 607 by L.R.  
 FIRE SAFE TESTED ISO 10497 by L.R.  
 ISO 15848 by TÜV  
 ANTISTATIC DEVICE by L.R.  
 EAC CERTIFICATION by B.V.

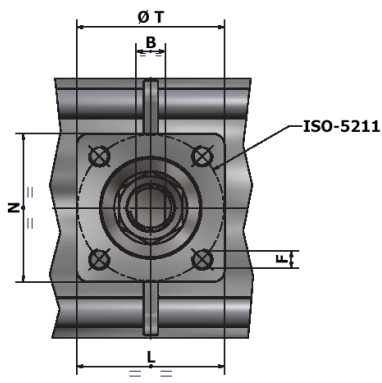
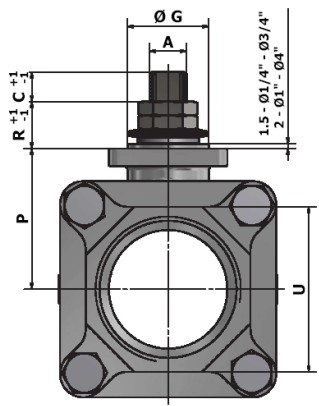
TYPE  
**FR3**  
 PN 40 ÷ 63

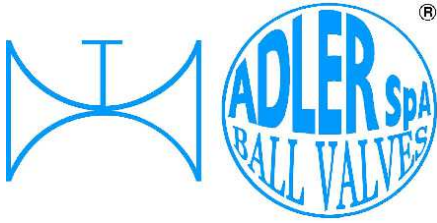
VALVOLA A SFERA "3 PEZZI" PASSAGGIO TOTALE S.W. - B.W.  
 BALL VALVES "3 PIECE" FULL BORE S.W. - B.W.  
 ROBINETS A BOISSEAU SPHERIQUE "3 PIECES" PASSAGE INTEGRAL S.W. - B.W.  
 KUGELHÄHNE "3 TEILIG" VOLLER DURCHGANG S.W. - B.W.



**VISUALIZZA 3D  
 VIEW 3D**

<https://adlerspa.com/prodotti/fpr3>





ISO 9001 by L.R.  
 PED DIR. 2014/68/UE by L.R.  
 ATEX DIR. 2014/34/UE by B.V.  
 FIRE SAFE EXECUTION BS6755/API 607 by L.R.  
 FIRE SAFE TESTED ISO 10497 by L.R.  
 ISO 15848 by TÜV  
 ANTISTATIC DEVICE by L.R.  
 EAC CERTIFICATION by B.V.

TYPE  
**FR3**  
 PN 40 ÷ 63

N.	DESCRIZIONE DESCRIPTION DESCRIPTION BESCHREIBUNG	MATERIALI MATERIALS MATERIAUX WERKSTOFFE
1	CORPO BODY CORPS MITTE	ASTM A 351 CF8M
2	LATERALE END LATERAL ENDE	ASTM A105 (G7/NPT) galvanized ASTM A105 (BW/SW) painted ASTM A 351 CF8M (G7/NPT) ASTM A 351 CF3M (BW/SW)
3		
4*	ANELLO SEAL ANNEAU DICHTUNGSRING	P.T.F.E.
5*	SEDE SEAT SIEGE SITZRING	P.T.F.E. R.P.T.F.E. (OPTIONAL)
6	SFERA BALL BOULE KUGEL	ASTM A479 304/304L ASTM A351 CF8 ASTM A479 316/316L ASTM A351 CF8M
7	DISPOSITIVO ANTISTATICO ANTISTATIC DEVICE CONTACT ANTISTATIQUE ANTISTATIK VORRICHTUNG	ASTM A479 316/316L
8	STELO STEM TIGE SPINDEL	ASTM A479 304/304L ASTM A479 316/316L

N.	DESCRIZIONE DESCRIPTION DESCRIPTION BESCHREIBUNG	MATERIALI MATERIALS MATERIAUX WERKSTOFFE
9*	BUSSOLA STEM SEAL JOINT TIGE UNTERE SPINDELABDICHTUNG	P.T.F.E.
10*	PACCO A "V" CHEVRON RINGS JOINT A "V" 3 FACHE DACHMANSCHETTE	P.T.F.E. / GRAFITE P.T.F.E. / GRAPHITE P.T.F.E. / GRAPHITE P.T.F.E. / GRAPHIT
11	PREMIBUSSOLA PRESSING BUSH PRESSE RONDELLE STOPFBUCHSDRUCKRING	ASTM A479 304
12	MOLLE A TAZZA SPRING WASHERS RONDELLES BELLEVILLE TELLERFEDERN	C72/50Cr V4 ZINCATO - GALVANIZED - ZINGUE - VERZINKT X10CrNi18.8 ON REQUEST
13	VITE DI FERMO E FERMO PIN AND STOP PIN PLOT ET PLOT D'ARRET ANSCHLAGBOLZEN	UNI3740 8.8 ZINCATO - GALVANIZED - ZINGUE - VERZINKT UNI 3951 A2-70 ON REQUEST
14	DADO - CONTRODADO NUT - LOCK NUT ECROU - CONTRE-ECROU MUTTER - KONTERMUTTER	UNI 3740 - 6S ZINCATO - GALVANIZED ZINGUE - VERZINKT ASTM A479 304 ON REQUEST
15	LEVA WRENCH LEVIER HANDHEBEL	AISI 1010 GALVANIZED AND PAINTED FOR S.S VALVES PAINTED FOR C.S. VALVES ASTM A479 304 ON REQUEST
16	BULLONE BOLT BOULON GEWINDEBOLZEN	UNI 3740 8.8 ZINCATO - GALVANIZED - ZINGUE - VERZINKT UNI 3951 A2-70 ON REQUEST

\* RICAMBI CONSIGLIATI - RECOMMENDED SPARE PARTS - PIECES DE RECHANGE CONSEILLEES - ERSATZTEIL EMPFEHLUNG  
 \*\* SOLO DN 1/2" e DN 3/4" / ONLY ND 1/2" e ND 3/4"

ON REQUEST P.T.F.E. AVAILABLE CERTIFIED BAM, FDA, MOCA

## DIMENSIONI - DIMENSION - DIMENSIONS - ABMESSUNGEN

Ø	1/4"*	3/8"*	1/2"	3/4"	1"	1 1/4"	1 1/2"	2"	2 1/2"*	3"*	4"*
AxB			10x6	10x6	12x8	12x8	16x10	16x10			
C			7	7	10	10	15	15			
D			43,1	49,2	60,8	67,9	84	101,8			
E			15	19	25	30	38	51			
F			M5	M5	M5	M5	M6	M6			
ISO			F03	F03	F03	F03	F05	F05			
G			25	25	25	25	35	35			
H			66	68	85	91	106	116			
L=N			36	36	36	36	51	51			
M			145	145	185	185	280	280			
P			32,5	35	41	45,5	53	60,5			
R			8	8	17	17	20	20			
S			275	280	290	310	320	340			
T			36	36	36	36	50	50			
Z			124,5	125,7	126,5	132,7	133,2	134,75			
Bolts M			6x55	6x55	8x70	8x80	10x90	10x110			
PN			63	63	40	40	40	40			
Kg			1.7	2.2	3.1	4.3	5.8	9.6			

- DATI E CARATTERISTICHE SOGGETTI A VARIAZIONI SENZA PREAVVISO \* SU RICHIESTA /ON REQUEST
- SPECIFICATIONS SUBJECT TO MODIFICATION WITHOUT PRIOR NOTICE
- TOUS DROITS DE MODIFICATION RESERVES
- KONSTRUKTIONSÄNDERUNGEN VORBEHALTEN



ADLER SpA - BALL VALVES  
 20010 S. STEFANO TICINO (MI) ITALY V.le BORLETTI, 14 Tel. +39/02974842.11 FAX +39/0297271698  
 E-mail: [adler@adlerspa.com](mailto:adler@adlerspa.com) <http://www.adlerspa.com>



ISO 9001 by L.R.  
 PED DIR. 2014/68/UE by L.R.  
 ATEX DIR. 2014/34/UE by B.V.  
 FIRE SAFE EXECUTION BS6755/API 607 by L.R.  
 FIRE SAFE TESTED ISO 10497 by L.R.  
 ISO 15848 by TÜV  
 ANTISTATIC DEVICE by L.R.  
 EAC CERTIFICATION by B.V.

TYPE  
**FR3**  
 PN 40 ÷ 63

• ESECUZIONI • EXECUTIONS • EXECUTIONS • AUSFÜHRUNGEN



EXECUTION 4 - 12



EXECUTION 6 - 16

**S** STANDARD

**O** OPTIONAL

ONLY FOR VALVES  $\geq$  DN 50 **S**

FORO DI BILANCIAMENTO  
 BALANCING HOLE  
 TROU DE BALANCEMENT  
 DRUCKENTLASTUNGSBOHRUNG

ON REQUEST AVAILABLE ON DN  $\leq$  40

DECLARATION ATEX  
 FOR ZONE 1-2

DICHIARAZIONE DI CONFORMITA' ATEX UE

APPARECCHIATURA: Valvole a sfera (2" standard e analoghi)  
 Qualificato: Antistatico (2" standard e analoghi)

PRODUTTORE: Adler SpA - Via Poletto 14, S. Stefano Genua - 20092 GALLARATE (VA)

Dichiarazione: Dichiaro che l'apparecchiatura sopra descritta è conforme ai requisiti di sicurezza e salute della direttiva 2014/34/UE e che essa è stata sottoposta ai controlli previsti dall'articolo 10 della direttiva 2014/34/UE.

CLASSIFICAZIONE DELLA ZONA: Zona 1 o Zona 2 a seconda delle condizioni di installazione.

DIRETTIVE NOTIFICATE PER LA COSTRUZIONE DEL FILE TECNICO:  
 2014/34/UE (ATEX)  
 2014/53/UE (EMC)  
 2014/30/UE (CEI)

ALTRA DIRETTIVA APPLICATA:  
 2011/65/UE (RoHS)

L'APPARECCHIATURA E' MONTATA SULLA MANICATAIA:  
 EN 1078 - TS 5016 - EN 12516 - TS 5016

MANICATAIA ALTERNATIVA: EN 12516 - TS 5016 - EN 12516 - TS 5016

TEMPERATURA DI LAVORO TIPOVITA:  
 -20°C a +125°C (o a richiesta)

MANICATAIA X:  
 In ottone 3/16" o acciaio inox 304/316/316L

L'ispezione per parte essere richiesta secondo le istruzioni descritte nei manuali di istruzioni e installazione.

PER INFORMAZIONI E CONDIZIONI DI VENDITA, CONTATTARE IL CONCESSIONARIO PIU' VICINO A VOI.

**3** **S**

-TIRANTI GUIDATI  
 -BOULONS GUIDES

-GUIDED BOLTS  
 -ZUGBOLZEN GEFÜHRT

**4** **S**

-STELO ANTI ESPULSIONE  
 -TIGE ANTIEXPULSION

-ANTI BLOW OUT STEM  
 -AUSBLASGESICHERETE WELLE

-PACCO A "V"  
 -JOINT A "V"  
 ANTISTATIC DEVICE  
 BS 5146

-CHEVRON RINGS  
 -3 FACHE DACHMANSCHETE  
 ANTISTATIK VORRICHTUNG  
 BS 5146

**5** **O**

DN 10 ÷ 32

103 (DN 10 - 20)  
 145 (DN 25 - 32)

79 (DN 10 - 20)  
 57

-MANIGLIA OVALE  
 -LEVIER OVAL

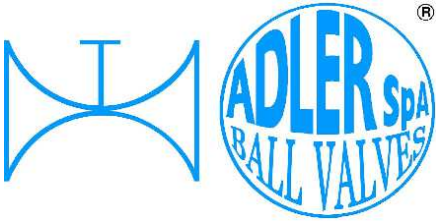
- OVAL HANDLE  
 -HANDHEBEL IN OVALFORM

**6** **O**

BREVETTO - PATENTED  
 00219688 - 21-04-1993

FKM (VITON)

- "O" RING STELO  
 -TIGE AVEC "O" RING  
 - "O" RING IM SPINDELBEREICH



ISO 9001 by L.R.  
 PED DIR. 2014/68/UE by L.R.  
 ATEX DIR. 2014/34/UE by B.V.  
 FIRE SAFE EXECUTION BS6755/API 607 by L.R.  
 FIRE SAFE TESTED ISO 10497 by L.R.  
 ISO 15848 by TÜV  
 ANTISTATIC DEVICE by L.R.  
 EAC CERTIFICATION by B.V.

TYPE  
**FR3**  
 PN 40 ÷ 63

**7** **O**

-PROLUNGA STELO -STEM EXTENSION  
 -TIGE PROLONGEE -SPINDELVERLÄNGERUNG

**8** **O**

-PARTICOLARI INOX  
 -STAINLESS STEEL DETAILS  
 -ACCESSOIRES EN INOX  
 -EDELSTAHLTEILE

**9** **S**

-ATTACCO "ISO" -"ISO" CONNECTIONS  
 -SYSTEM "ISO" -ANSCHLUSS "ISO"

**KEY TORQUE**

**11** **O**

-TENUTA INTEGRALE -POCKETLESS SEATS  
 -TENUCE INTEGRALE -TOTRAUMARM

**12** **O**

**FIRE SAFE**  
 ISO 10497 "ISO-FT"  
 (BS 6755 / API 607)

**13** **S**

-ANELLO CONTENUTO -ANNEAU CONTENU  
 -CONTAINED SEAL -DICHRING GEKAMMERT

**14** **O**

VEDERE / SEE ANSI B16.34

-FORO DI SCARICO NELLA SFERA  
 -OVERPRESSURE HOLE INTO BALL  
 -TROU DECOMPRESSION DANS LA BOULE  
 -ENTLASTUNGSBOHRUNG IN DER KUGEL  
 VALVOLA MONO DIREZIONALE  
 MONO-DIRECTIONAL VALVE

**15** **O**

-SERVIZIO CRIOGENICO - CRYOGENIC SERVICE  
 -SERVICE CRYOGENIQUE  
 -TIEFTEMPORATUR SERVICE

**16** **O**

-FIRE SAFE ISO FT+ "O" RING STELO  
 -FIRE SAFE ISO FT+ "O" RING ON STEM  
 -SECURITE FEU ISO FT+ TIGE AVEC "O" RING  
 -FEUERSICHERE AUSFÜHRUNG ISO FT+  
 "O" RING IM SPINDELBEREICH

**17** **S**

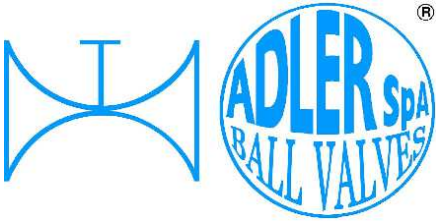
**NIPPLI / NIPPLES:**  
 ASTM A105

**NIPPLI INTEGRALI DA BARRA**  
 INTEGRAL NIPPLES FROM BAR STOCK

**18** **S**

**NIPPLI / NIPPLES:**  
 ASTM A351 CF3M

**NIPPLI INTEGRALI DA FUSIONE**  
 INTEGRAL NIPPLES FROM CASTING

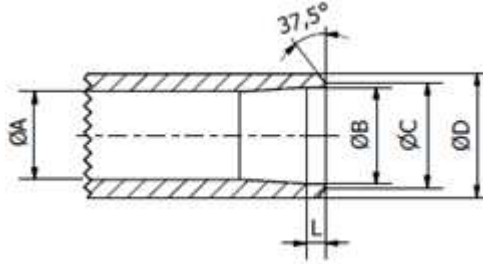


ISO 9001 by L.R.  
 PED DIR. 2014/68/UE by L.R.  
 ATEX DIR. 2014/34/UE by B.V.  
 FIRE SAFE EXECUTION BS6755/API 607 by L.R.  
 FIRE SAFE TESTED ISO 10497 by L.R.  
 ISO 15848 by TÜV  
 ANTISTATIC DEVICE by L.R.  
 EAC CERTIFICATION by B.V.

TYPE  
**FR3**  
 PN 40 ÷ 63

**DIMENSIONI LATERALI - ENDS DIMENSION - DIMENSIONS LATERAL - ABMESSUNGEN GEHÄUSEFLANSCH**

**B.W. ANSI B 16.25 Sch. 40**  
 (STANDARD ADLER)



Ø	1/4" *	3/8" *	1/2"	3/4"	1"	1 1/4"	1 1/2"	2"	2 1/2" *	3" *	4" *
Ø A			15	19	25	30	38	51			
Ø B			15,8	21	26,6	35	40,9	52,5			
Ø C			17,4	22,6	28,3	36,7	42,5	54,7			
Ø D			21,3	26,7	33,4	42,2	48,3	60,3			
L			4,2	4,3	5,1	5,5	5,6	5,9			

\* SU RICHIESTA /ON REQUEST

ALTRE TIPOLOGIE DI B.W. DISPONIBILI SU RICHIESTA / OTHER TYPE OF B.W. AVAILABLE ON REQUEST