

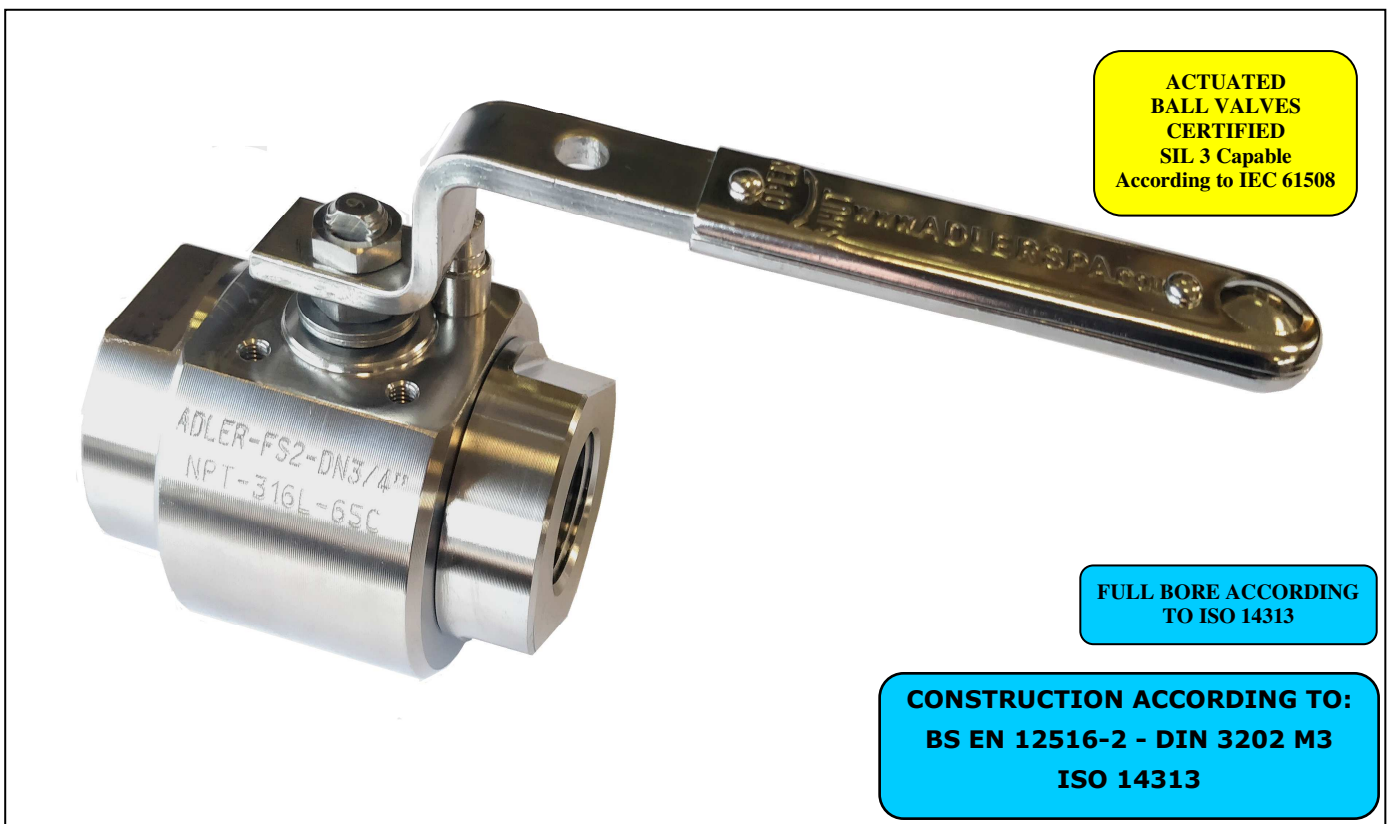
ISO 9001 by L.R.  
PED DIR. 2014/68/UE by L.R.  
ATEX DIR. 2014/34/UE by B.V.  
FIRE SAFE EXECUTION BS6755/API 607 by L.R.  
FIRE SAFE TESTED ISO 10497 by L.R.  
ISO 15848 by TÜV  
ANTISTATIC DEVICE by L.R.  
EAC CERTIFICATION by B.V.

TYPE  
**FS2**  
PN 40 ÷ 210

NORME E DIRETTIVE APPLICATE DISPONIBILI AL SEGUENTE LINK:  
STANDARD AND DIRECTIVE APPLIED AVAILABLE AT FOLLOWING LINK:  
[http://www.adlerspa.com/pdf/NORME\\_ADLER.pdf](http://www.adlerspa.com/pdf/NORME_ADLER.pdf)

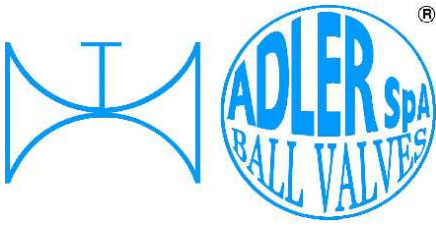
## VALVOLE A SFERA "2 PEZZI" PASSAGGIO TOTALE

EN 10226-1 (EX ISO 7 Rp) – ANSI B1.20.1 NPT



**BALL VALVES "2 PIECE" FULL BORE**  
**ROBINETS A BOISSEAU SPHERIQUE**  
**"2 PIECES" PASSAGE INTEGRAL**  
**KUGELHÄHNE "2 TEILIG" VOLLER DURCHGANG**

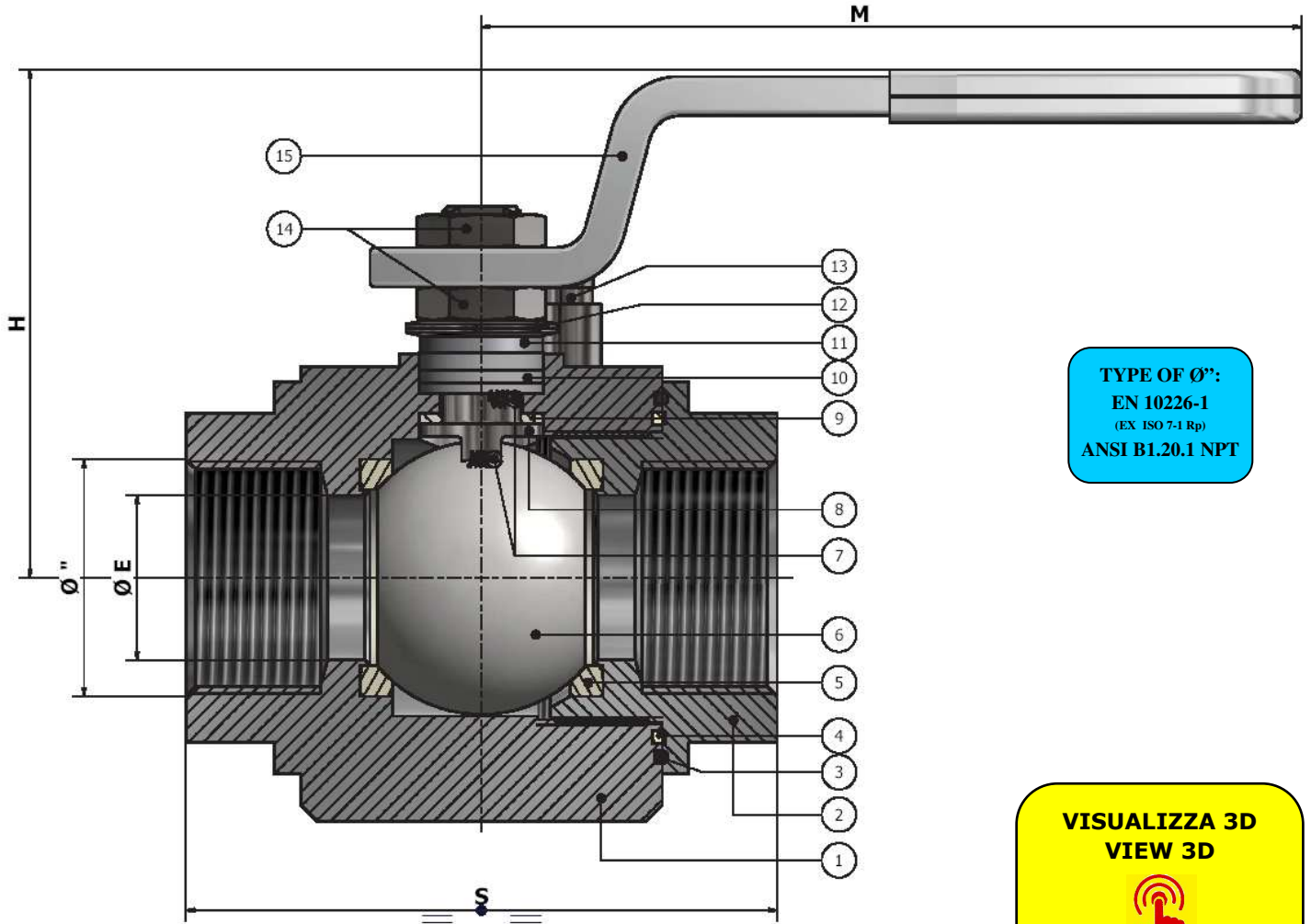
WEB SITE: [WWW.ADLERSPA.COM](http://WWW.ADLERSPA.COM)



ISO 9001 by L.R.  
 PED DIR. 2014/68/UE by L.R.  
 ATEX DIR. 2014/34/UE by B.V.  
 FIRE SAFE EXECUTION BS6755/API 607 by L.R.  
 FIRE SAFE TESTED ISO 10497 by L.R.  
 ISO 15848 by TÜV  
 ANTISTATIC DEVICE by L.R.  
 EAC CERTIFICATION by B.V.

TYPE  
**FS2**  
 PN 40 ÷ 210

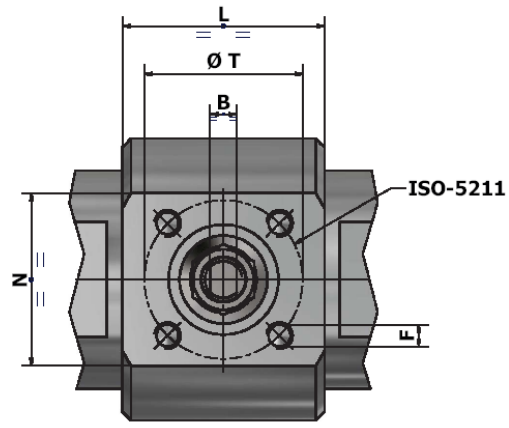
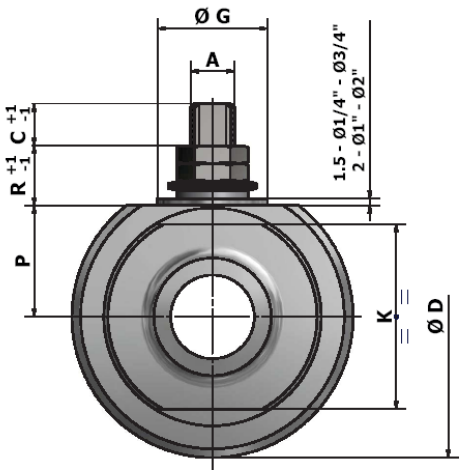
VALVOLA A SFERA "2 PEZZI" PASSAGGIO TOTALE  
 BALL VALVES "2 PIECE" FULL BORE  
 ROBINETS A BOISSEAU SPHERIQUE "2 PIECES" PASSAGE INTEGRAL  
 KUGELHÄHNE "2 TEILIG" VOLLER DURCHGANG

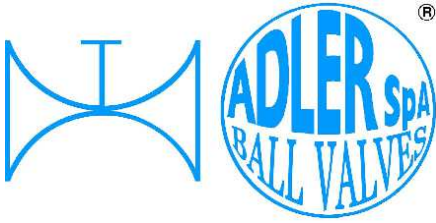


TYPE OF Ø":  
 EN 10226-1  
 (EX ISO 7-1 Rp)  
 ANSI B1.20.1 NPT

VISUALIZZA 3D  
 VIEW 3D

<https://adlerspa.com/prodotti/fs2>





ISO 9001 by L.R.  
 PED DIR. 2014/68/UE by L.R.  
 ATEX DIR. 2014/34/UE by B.V.  
 FIRE SAFE EXECUTION BS6755/API 607 by L.R.  
 FIRE SAFE TESTED ISO 10497 by L.R.  
 ISO 15848 by TÜV  
 ANTISTATIC DEVICE by L.R.  
 EAC CERTIFICATION by B.V.

TYPE  
**FS2**  
 PN 40 ÷ 210

N.	DESCRIZIONE DESCRIPTION DESCRIPTION BESCHREIBUNG	MATERIALI MATERIALS MATERIAUX WERKSTOFFE
1	CORPO BODY CORPS MITTE	ASTM A105 ASTM A479 304/304L ASTM A479 316/316L
2	GHIERA INSERT EMBOUT GEWINDEDRUCKRING	ASTM A105 ASTM A479 304/304L ASTM A479 316/316L
3*	O'RING	FKM (VITON)
4*	ANELLO SEAL ANNEAU DICHTUNGSRING	P.T.F.E.
5*	SEDE RINFORZATA SEAT REINFORCED SIEGE RENFORCE SITZRING VERSTÄRKT	P.T.F.E. / 15% FIBERGLASS P.T.F.E. / STAINLESS STEEL
6	SFERA BALL BOULE KUGEL	ASTM A479 304/304L ASTM A351 CF8 ASTM A479 316/316L ASTM A351 CF8M
7	DISPOSITIVO ANTISTATICO ANTISTATIC DEVICE CONTACT ANTISTATIQUE ANTISTATIK VORRICHTUNG	ASTM A479 316/316L
8	STELO STEM TIGE SPINDEL	ASTM A479 304/304L ASTM A479 316/316L

N.	DESCRIZIONE DESCRIPTION DESCRIPTION BESCHREIBUNG	MATERIALI MATERIALS MATERIAUX WERKSTOFFE
9*	BUSSOLA STEM SEAL JOINT TIGE UNTERE SPINDELABDICHTUNG	P.T.F.E.
10*	PACCO A "V" CHEVRON RINGS JOINT A "V" 3 FACHE DACHMANSCHETTE	P.T.F.E. / GRAFITE P.T.F.E. / GRAPHITE P.T.F.E. / GRAPHITE P.T.F.E. / GRAPHIT
11	PREMIBUSSOLA PRESSING BUSH PRESSE RONDELLE STOPFBUCHSDRUCKRING	ASTM A479 304
12	MOLLE A TAZZA SPRING WASHERS RONDELLES BELLEVILLE TELLERFEDERN	C72/50Cr V4 ZINCATO - GALVANIZED - ZINGUE - VERZINKT X10CrNi18.8 ON REQUEST
13	VITE DI FERMO E FERMO PIN AND STOP PIN PLOT ET PLOT D'ARRET ANSCHLAGBOLZEN	UNI3740 8.8 ZINCATO - GALVANIZED - ZINGUE - VERZINKT UNI 3951 A2-70 ON REQUEST
14	DADO - CONTRODADO NUT - LOCK NUT ECROU - CONTRE-ECROU MUTTER - KONTERMUTTER	UNI 3740 - ZINCATO - GALVANIZED 6S ZINGUE - VERZINKT ASTM A479 ON REQUEST 304
15	LEVA WRENCH LEVIER HANDHEBEL	AISI 1010 GALVANIZED AND PAINTED FOR S.S. VALVES PAINTED FOR C.S. VALVES ASTM A479 ON REQUEST 304
16		

\* RICAMBI CONSIGLIATI - RECOMMENDED SPARE PARTS - PIECES DE RECHANGE CONSEILLEES - ERSATZTEIL EMPFEHLUNG

ON REQUEST P.T.F.E. AVAILABLE CERTIFIED BAM, FDA, MOCA

## DIMENSIONI - DIMENSION - DIMENSIONS - ABMESSUNGEN

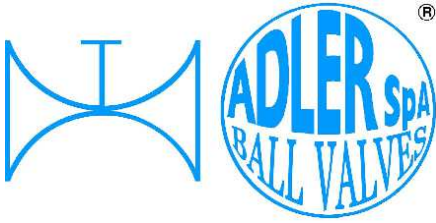
Ø	1/4"	3/8"	1/2"	3/4"	1"	1 1/4"	1 1/2"	2"	2 1/2"	3"				
A	8	8	10	10	12	12	16	16	22	22				
B	5	5	6	6	8	8	10	10	14	14				
C	6	6	7	7	9	9	11	11	16	16				
D	49,5	49,5	59	64	74	80	99	119	169	186				
E	10	10	15	19	25	30	38	51	64	76				
F	M5	M5	M5	M5	M5	M5	M6	M6	M8	M8				
ISO	F03	F03	F03	F03	F03	F03	F05	F05	F07	F07				
G	25	25	25	25	25	25	35	35	55	55				
H	46	46	63	65	76	80	98	108	140	148				
K	30	30	38	42	50	55	70	85	120	130				
L	33	33	42	46	55	58	71	79	129	129				
M	120	120	145	145	185	185	280	280	370	370				
N	35	35	37	38	37	35	46	50	67	71				
P	17,7	17,7	23	25,3	32	36	44	54	77,5	86				
R	12	12	14	14	16	16	19	19	23,5	23,5				
S	50	60	75	80	90	110	120	140	185	205				
T	36	36	36	36	36	36	50	50	70	70				
PN	100	100	63	63	40	40	40	40	40	40	CLASS 800			
PN	210	210	210	210	210	160	160	160	160	160	CLASS 3000			
Kg	0.6	0.65	1.2	1.4	2.2	3.2	5.2	7.8	20	26				

**A105  
 STANDARD**  
 ZINCATO  
 GALVANIZED  
 ZINGUE  
 VERZINKT

- DATI E CARATTERISTICHE SOGGETTI A VARIAZIONI SENZA PREAVVISO
- SPECIFICATIONS SUBJECT TO MODIFICATIONS WITHOUT PRIOR NOTICE
- TOUS DROITS DE MODIFICATION RESERVES
- KONSTRUKTIONÄNDERUNGEN VORBEHALTEN



ADLER SpA - BALL VALVES  
 20010 S. STEFANO TICINO (MI) ITALY V.le BORLETTI, 14 Tel. +39/02974842.11 FAX +39/0297271698  
 E-mail: [adler@adlerspa.com](mailto:adler@adlerspa.com) <http://www.adlerspa.com>



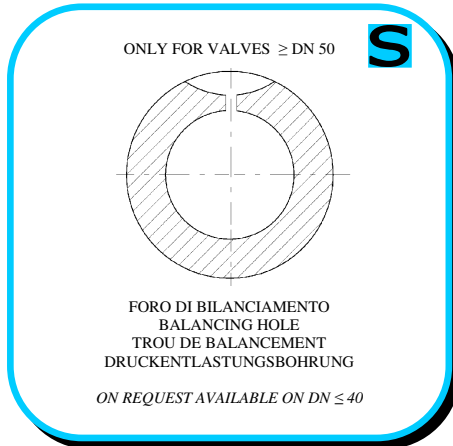
ISO 9001 by L.R.  
 PED DIR. 2014/68/UE by L.R.  
 ATEX DIR. 2014/34/UE by B.V.  
 FIRE SAFE EXECUTION BS6755/API 607 by L.R.  
 FIRE SAFE TESTED ISO 10497 by L.R.  
 ISO 15848 by TÜV  
 ANTISTATIC DEVICE by L.R.  
 EAC CERTIFICATION by B.V.

TYPE  
**FS2**  
 PN 40 ÷ 210

• ESECUZIONI • EXECUTIONS • EXECUTIONS • AUSFÜHRUNGEN



EXECUTION 4- 12

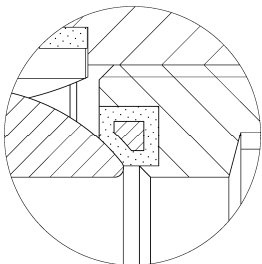


EXECUTION 6 - 16

**S** STANDARD

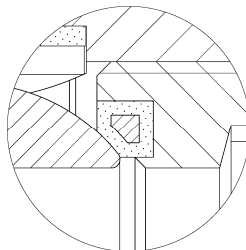
**O** OPTIONAL

**1** PN 160 ÷ 210 **S**



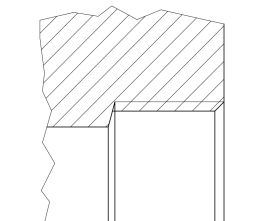
-SEDI ANIMA METALLICA -SEATS WITH METAL CORE  
 -SIEGES AVEC AME METALLIQUE -SITZE MIT METALLKERN

**2** PN 40 ÷ 100 **O**



-SEDI ANIMA METALLICA -SEATS WITH METAL CORE  
 -SIEGES AVEC AME METALLIQUE -SITZE MIT METALLKERN

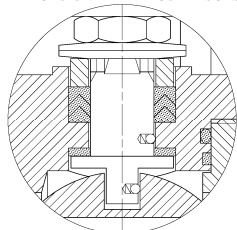
**3** CYLINDRICAL THREAD **S**



EN 10226-1 (ex ISO 7-1 Rp)

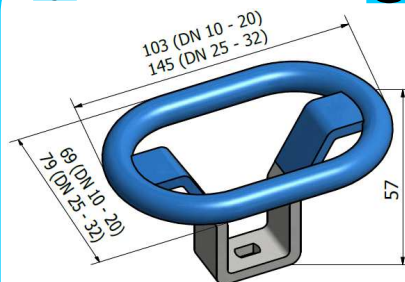
**4** **S**

-STELO ANTI ESPULSIONE -ANTI BLOW OUT STEM  
 -TIGE ANTIEXPULSION -AUSBLASGESICHERETE WELLE



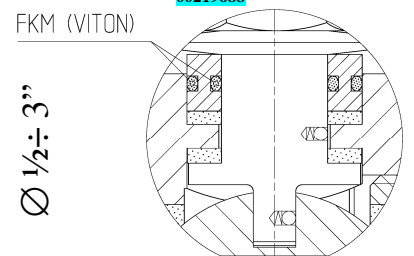
-PACCO A "V" -CHEVRON RINGS  
 -JOINT A "V" -3 FACHE DACHMANSCHETE  
 ANTISTATIC DEVICE ANTISTATIK VORRICHTUNG  
 BS 5146

**5** DN 1/4" ÷ 1 1/4" **O**

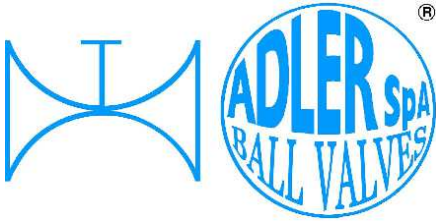


-MANIGLIA OVALE - OVAL HANDLE  
 -LEVIER OVAL -HANDHEBEL IN OVALFORM

**6** **BREVETTO - PATENTED** **O**  
 00219688

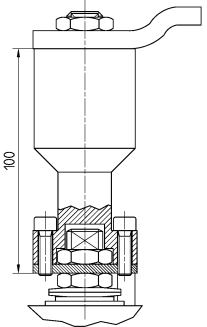


- "O" RING STELO "O" RING ON STEM  
 -TIGE AVEC "O" RING  
 -"O" RING IM SPINDELBEREICH

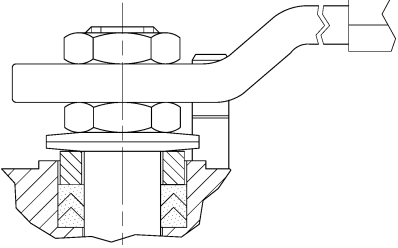


ISO 9001 by L.R.  
 PED DIR. 2014/68/UE by L.R.  
 ATEX DIR. 2014/34/UE by B.V.  
 FIRE SAFE EXECUTION BS6755/API 607 by L.R.  
 FIRE SAFE TESTED ISO 10497 by L.R.  
 ISO 15848 by TÜV  
 ANTISTATIC DEVICE by L.R.  
 EAC CERTIFICATION by B.V.

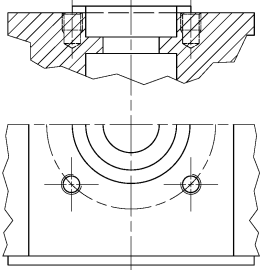
TYPE  
**FS2**  
 PN 40 ÷ 210

**7**  **O**

-PROLUNGA STELO -STEM EXTENSION  
 -TIGE PROLONGEE -SPINDELVERLÄNGERUNG

**8**  **O**

-PARTICOLARI INOX  
 -STAINLESS STEEL DETAILS  
 -ACCESSOIRES EN INOX  
 -EDELSTAHLTEILE

**9**  **S**

-ATTACCO "ISO" -"ISO" CONNECTIONS  
 -SYSTEM "ISO" -ANSCHLUSS "ISO"

**ADLER**

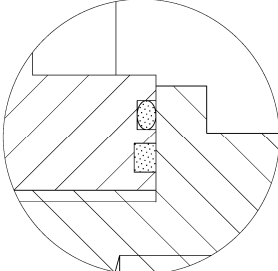
UNA GAMMA COMPLETA  
 PRIVILEGIANDO LA QUALITA'

A COMPLETE RANGE PRIVILEGING  
 THE QUALITY

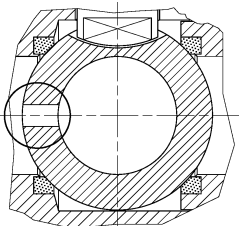


**12**  **O**

FIRE SAFE  
 ISO 10497 "ISO-FT"  
 (BS 6755 / API 607)

**13**  **S**

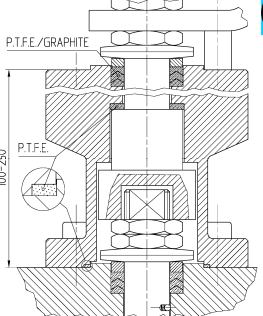
-DOPPIA TENUTA -DOUBLE SEALS  
 -DOUBLE ETANCHEITE -DOPPELTE ABDICHTUNG

**14**  **O**

VEDERE / SEE ANSI B16.34

FLUSSO  
 FLOW

-FORO DI SCARICO NELLA SFERA  
 -OVERPRESSURE HOLE INTO BALL  
 -TROU DECOMPRESSION DANS LA BOULE  
 -ENTLASTUNGSBOHRUNG IN DER KUGEL  
 VALVOLA MONO DIREZIONALE  
 MONO-DIRECTIONAL VALVE

**15**  **O**

P.T.F.E./GRAPHITE  
 P.T.F.E.

100-250

- SERVIZIO CRIOGENICO - CRYOGENIC SERVICE  
 - SERVICE CRYOGENIQUE  
 - TIEFTEMPORATUR SERVICE

**PED CERTIFICATION**

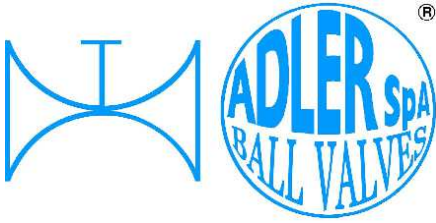


**ADLER**

UNA GAMMA COMPLETA  
 PRIVILEGIANDO LA QUALITA'

A COMPLETE RANGE PRIVILEGING  
 THE QUALITY



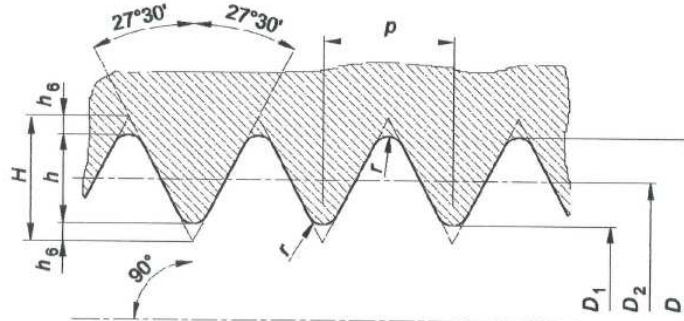


ISO 9001 by L.R.  
 PED DIR. 2014/68/UE by L.R.  
 ATEX DIR. 2014/34/UE by B.V.  
 FIRE SAFE EXECUTION BS6755/API 607 by L.R.  
 FIRE SAFE TESTED ISO 10497 by L.R.  
 ISO 15848 by TÜV  
 ANTISTATIC DEVICE by L.R.  
 EAC CERTIFICATION by B.V.

TYPE  
**FS2**  
 PN 40 ÷ 210

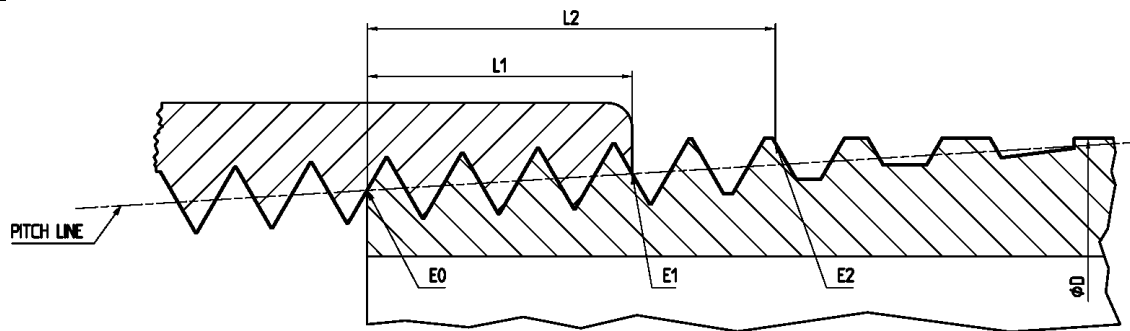
CARATTERISTICHE DEL FILETTO - THREAD FEATURES - FILETAGE CARACTÉRISTIQUES - GEWINDE KENNDATEN

IN ACCORDANCE TO  
 EN 10226-1 (EX ISO 7-1 Rp)



1	2	3	4	Diameters of gauges plane			Gauges length (external threads)					Tolerance on position of gauge plan on internal thread		Length of useful external thread not less than			Assembly length		Diameter tolerance on parallel internal threads	
				Major d	Pitch d <sub>2</sub>	Minor d <sub>1</sub>	Nominal	Tolerance ±t/2			Tolerance ±t/2	Turns of thread	Max.	Min.	For nominal gauge length	For maximum gauge length	For minimum gauge length	2)		Turns of thread
								2)	Turns of thread	Max.										
1/4	19	1,337	0,856	13,16	12,30	11,45	6	1,3	1	7,3	4,7	1,7	1 1/4	9,7	11	8,4	3,7	2 3/4	±0,104	
3/8	19	1,337	0,856	16,66	15,81	14,95	6,4	1,3	1	7,7	5,1	1,7	1 1/4	10,1	11,4	8,8	3,7	2 3/4	±0,104	
1/2	14	1,814	1,162	20,96	19,79	18,63	8,2	1,8	1	10	6,4	2,3	1 1/4	13,2	15	11,4	5	2 3/4	±0,142	
3/4	14	1,814	1,162	26,44	25,28	24,12	9,5	1,8	1	11,3	7,7	2,3	1 1/4	14,5	16,3	12,7	5	2 3/4	±0,142	
1	11	2,309	1,479	33,25	31,77	30,29	10,4	2,3	1	12,7	8,1	2,9	1 1/4	16,8	19,1	14,5	6,4	2 3/4	±0,180	
1 1/4	11	2,309	1,479	41,91	40,43	38,95	12,7	2,3	1	15	10,4	2,9	1 1/4	19,1	21,4	16,8	6,4	2 3/4	±0,180	
1 1/2	11	2,309	1,479	47,80	46,32	44,85	12,7	2,3	1	15	10,4	2,9	1 1/4	19,1	21,4	16,8	6,4	2 3/4	±0,180	
2	11	2,309	1,479	59,61	58,14	56,63	15,9	2,3	1	18,2	13,6	2,9	1 1/4	23,4	25,7	21,1	7,5	3 1/4	±0,180	

IN ACCORDANCE TO  
 ANSI B1.20.1 – 1983



1	2	3	4	5	Handtight engagement			Effective thread, external		
					Length <sup>2</sup> (L <sub>1</sub> )		Diam. <sup>3</sup> (E <sub>1</sub> )	Length <sup>4</sup> (L <sub>2</sub> )		Diam. <sup>5</sup> (E <sub>2</sub> )
					inch	threads		inch	threads	
1/4	0,540	18	0,05556	0,47739	0,2278	4,1	0,49163	0,4018	723	0,50250
3/8	0,675	18	0,05556	0,61201	0,240	4,32	0,32701	0,4078	734	0,63750
1/2	0,840	14	0,07143	0,75843	0,320	4,48	0,77843	0,5337	747	0,79179
3/4	1,050	14	0,07143	0,96768	0,339	4,75	0,98887	0,5457	764	1,00179
1	1,315	11,5	0,0896	1,21363	0,400	4,6	1,23863	0,6828	785	1,25630
1 1/4	1,660	11,5	0,0896	1,55713	0,420	4,83	1,58338	0,7068	813	1,60130
1 1/2	1,900	11,5	0,0896	1,79609	0,420	4,83	1,82237	0,7235	832	1,84130
2	2,375	11,5	0,0896	2,26902	0,436	5,01	2,29627	0,7565	870	2,31630