



ISO 9001:2015 by L.R.  
PED DIR. 2014/68/UE by L.R.  
ATEX DIR. 2014/34/UE by B.V.  
FIRE SAFE EXECUTION by L.R.  
ISO 15848 by TÜV  
ANTISTATIC DEVICE by L.R.  
FIRE SAFE TESTED ISO 10497 by L.R.  
EAC CERTIFICATION by B.V.

TYPE  
**FT4**  
PN 10 ÷ 40  
ANSI 150 ÷ 300

NORME E DIRETTIVE APPLICATE DISPONIBILI AL SEGUENTE LINK:  
STANDARD AND DIRECTIVE APPLIED AVAILABLE AT FOLLOWING LINK:  
[http://www.adlerspa.com/pdf/NORME\\_ADLER.pdf](http://www.adlerspa.com/pdf/NORME_ADLER.pdf)

## VALVOLE A SFERA "3 VIE CORPO PIATTO" PASSAGGIO TOTALE 90° CON CAMICIA DI RISCALDAMENTO

FULL BORE ACCORDING  
TO ISO 14313



ACTUATED  
BALL VALVES  
CERTIFIED  
SIL 3 Capable  
According to IEC 61508

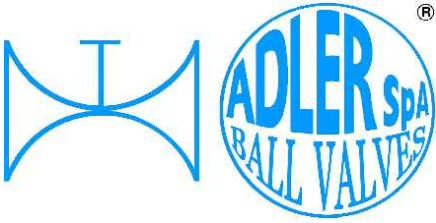
CONSTRUCTION ACCORDING TO:  
ANSI B16.34 - BS EN 12516-2

**BALL VALVES "3 WAY WAFER" FULL BORE 90°  
WITH HEATING JACKET**

**ROBINETS A BOISSEAU SPHERIQUE  
"3 VOIES WAFER" PASSAGE INTEGRAL 90° AVEC  
ENVELOPPE**

**KUGELHÄHNE "3 WEGE KOMPAKTHAHN"  
VOLLER DURCHGANG 90° MIT HEIZMANTEL**

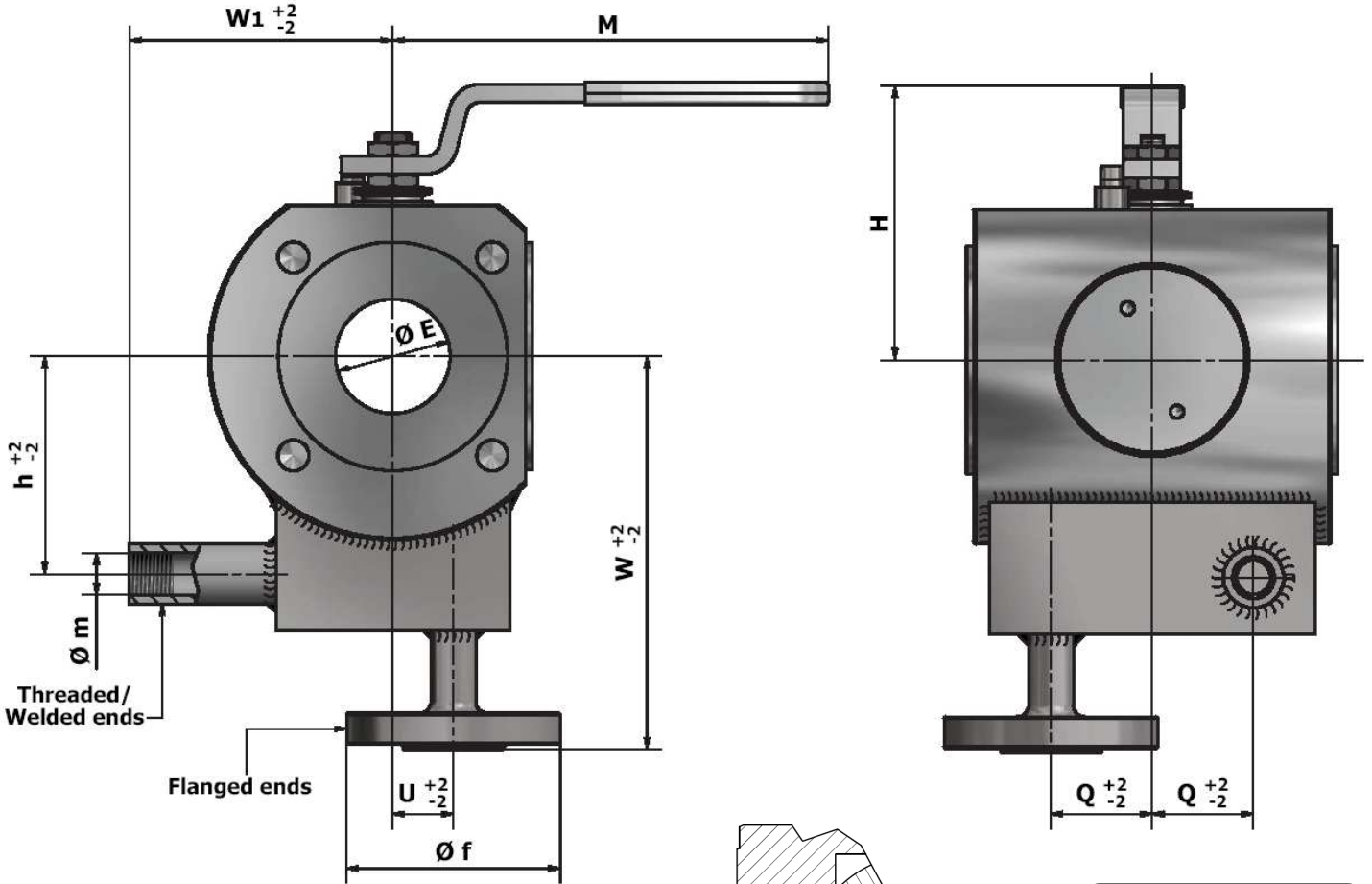
WEB SITE: [WWW.ADLERSPA.COM](http://WWW.ADLERSPA.COM)



ISO 9001:2015 by L.R.  
 PED DIR. 2014/68/UE by L.R.  
 ATEX DIR. 2014/34/UE by B.V.  
 FIRE SAFE EXECUTION by L.R.  
 ISO 15848 by TÜV  
 ANTISTATIC DEVICE by L.R.  
 FIRE SAFE TESTED ISO 10497 by L.R.  
 EAC CERTIFICATION by B.V.

TYPE  
**FT4**  
 PN 10 ÷ 40  
 ANSI 150 ÷ 300

VALVOLA A SFERA "3 VIE CORPO PIATTO" PASSAGGIO TOTALE 90° CON CAMICIA DI RISCALDAMENTO  
 BALL VALVES "3 WAY WAFER" FULL BORE 90° WITH HEATING JACKET  
 ROBINETS A BOISSEAU SPHERIQUE "3 VOIES WAFER" PASSAGE INTEGRAL 90° AVEC ENVELOPPE  
 KUGELHÄHNE "3 WEGE KOMPAKTHAHN" VOLLER DURCHGANG 90° MIT HEIZMANTEL

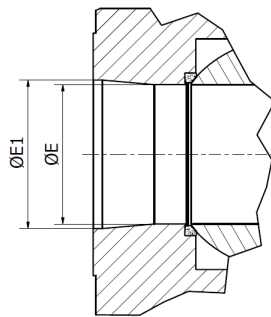
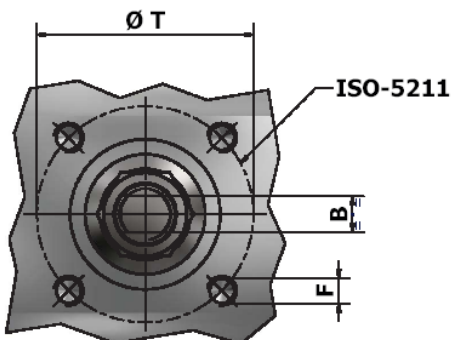


Scartamento – Face to face: S1

Valvola base FT4  
 Main Ball Valve FT4

Pressione massima di lavoro nelle camicie 10 bar  
 Maximum working pressure for jacket 10 bar

Materiale camicia Jacket material	CARBON STEEL (STANDARD) STAINLESS STEEL (OPTIONAL)
--------------------------------------	---



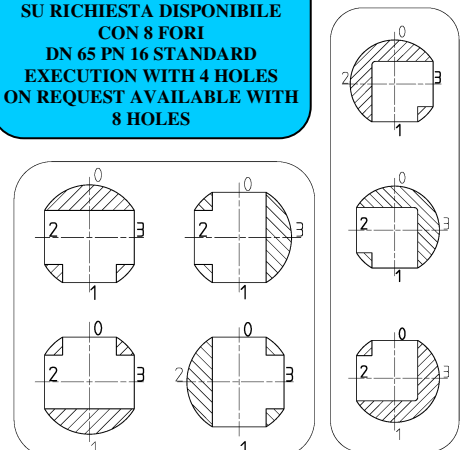
DN 100 ÷ 150

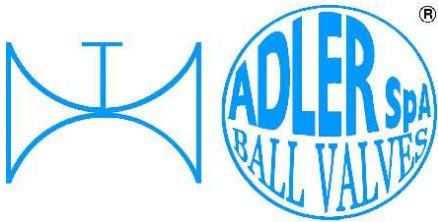
**FLANGE DIMENSIONS**  
 according to  
 EN 1092-1 or ANSI B16.5  
 see table  
<https://adlerspa.com/wp-content/uploads/2023/11/Tabella-dimensioni-flange-valvole-Adler.pdf>

DN 65 PN 16 ESECUZIONE STANDARD CON 4 FORI SU RICHIESTA DISPONIBILE CON 8 FORI  
 DN 65 PN 16 STANDARD EXECUTION WITH 4 HOLES ON REQUEST AVAILABLE WITH 8 HOLES

Per montaggio con guarnizioni spiralmetalliche, contattare Adler Spa.  
 For assembling with spiral-wound gaskets, contact Adler Spa

POSIZIONI OTTENIBILI  
 OBTAINABLE POSITIONS  
 POSITIONS OBTENABLES  
 MÖGLICHE STELLUNGEN





ISO 9001:2015 by L.R.  
 PED DIR. 2014/68/UE by L.R.  
 ATEX DIR. 2014/34/UE by B.V.  
 FIRE SAFE EXECUTION by L.R.  
 ISO 15848 by TÜV  
 ANTISTATIC DEVICE by L.R.  
 FIRE SAFE TESTED ISO 10497 by L.R.  
 EAC CERTIFICATION by B.V.

TYPE  
**FT4**  
 PN 10 ÷ 40  
 ANSI 150 ÷ 300

N.	DESCRIZIONE DESCRIPTION DESCRIPTION BESCHREIBUNG	MATERIALI MATERIALS MATERIAUX WERKSTOFFE
1	CORPO BODY CORPS MITTE	ASTM A105 ASTM A479 304/304L ASTM A479 316/316L
2	GHIERA INSERT EMBOUT GEWINDEDRUCKRING	ASTM A105 ASTM A479 304/304L ASTM A479 316/316L
3*◇	O-RING	FKM (VITON)
4*	ANELLO SEAL ANNEAU DICHTUNGSRING	P.T.F.E.
5*	SEDE SEAT SIEGE SITZRING	P.T.F.E. R.P.T.F.E. (OPTIONAL)
6	SFERA BALL BOULE KUGEL	ASTM A479 304/304L ASTM A351 CF8 ASTM A479 316/316L ASTM A351 CF8M
7	DISPOSITIVO ANTISTATICO ANTISTATIC DEVICE CONTACT ANTISTATIQUE ANTISTATIK VORRICHTUNG	ASTM A479 316/316L
8	STELO STEM TIGE SPINDEL	ASTM A479 304/304L ASTM A479 316/316L
9*	BUSSOLA STEM SEAL JOINT TIGE UNTERE SPINDELABDICHTUNG	P.T.F.E.
10*	PACCO A "V" CHEVRON RINGS JOINT A "V" 3 FACHE DACHMANSCHETTE	P.T.F.E. / GRAFITE P.T.F.E. / GRAPHITE P.T.F.E. / GRAPHITE P.T.F.E. / GRAPHIT

N.	DESCRIZIONE DESCRIPTION DESCRIPTION BESCHREIBUNG	MATERIALI MATERIALS MATERIAUX WERKSTOFFE
11	PREMIBUSSOLA PRESSING BUSH PRESSE RONDELLE STOPFBÜCHSDRUCKRING	ASTM A479 304
12	MOLLE A TAZZA SPRING WASHERS RONDELLES BELLEVILLE TELLERFEDERN	C72/50Cr V4 X10CrNi18.8 ZINCATO - GALVANIZED - ZINGUE - VERZINKT ON REQUEST
13	VITE DI FERMO E FERMO PIN AND STOP PIN PLOT ET PLOT D'ARRET ANSCHLAGBOLZEN	UNI3740 8.8 UNI 3951 A2-70 ZINCATO - GALVANIZED - ZINGUE - VERZINKT ON REQUEST
14	DADO - CONTRODADO NUT - LOCK NUT ECROU - CONTRE-ECROU MUTTER - KONTERMUTTER	UNI 3740 - 6S ASTM A479 304 ZINCATO - GALVANIZED ZINGUE - VERZINKT ON REQUEST
15	LEVA WRENCH LEVIER HANDHEBEL	AISI 1010 ASTM A479 304 GALVANIZED AND PAINTED FOR S.S VALVES PAINTED FOR C.S. VALVES ON REQUEST
21	GHIERA INSERT EMBOUT GEWINDEDRUCKRING	ASTM A105 ASTM A479 304/304L ASTM A479 316/316L
22*	ANELLO SEAL ANNEAU DICHTUNGSRING	P.T.F.E.
23*	O-RING	FKM (VITON)
24	GHIERA INSERT EMBOUT GEWINDEDRUCKRING	ASTM A105 ASTM A479 304/304L ASTM A479 316/316L

\* RICAMBI CONSIGLIATI - RECOMMENDED SPARE PARTS - PIECES DE RECHANGE CONSEILLEES - ERSATZTEIL EMPFEHLUNG

◇ WAY 0 : IN VALVES FROM DN65 TO DN150 / WAY 1 : IN ALL VALVES / WAY 3 : ONLY IN VALVES DN20, 25, 32, 40, 80, 100, 125,150

## DIMENSIONI - DIMENSION - DIMENSIONS - ABMESSUNGEN

DN	10	15	20	25	32	40	50	65	65	80	100	100	
C		7	7	10	10	15	15	17		17	17		
ØE		15	19	25	30	38	51	64		69	87		
ØE1		-	-	-	-	-	-	-		76	101		
F		M5	M5	M5	M5	M6	M6	M8		M8	M10		
f		DN 15 PN 16						DN 25 PN 16					
ISO		F03	F03	F03	F03	F05	F05	F07		F07	F10		
H		70	75	90	95	112	122	147		149	174		
h		61	70	72	85	85	97	105		131	150		
M		145	145	185	185	280	280	370		370	470		
m		Ø1/2" GAS						Ø1" GAS					
P		36,6	41	46	51	57	67	85		87	99,5		
Q		20	25	28	35	35	45	50		70	70		
R		8	8	17	17	20	20	23		23	26		
S		32	40	41,5	52,5	56,5	62	70		87	96		
S1		97	108	115	140	150	165	185		216	230		
T		36	36	36	36	50	50	70		70	102		
U		0	10	10	19	20	25	30		50	55		
W		135	145	150	160	165	175	185		210	235		
W1		95	95	95	115	120	125	1310		150	165		
-Kg		5	7,5	8,5	13,5	17	19,5	27		56	71		

- DATI E CARATTERISTICHE SOGGETTI A VARIAZIONI SENZA PREAVVISO
- SPECIFICATIONS SUBJECT TO MODIFICATIONS WITHOUT PRIOR NOTICE
- TOUS DROITS DE MODIFICATION RESERVES
- KONSTRUKTIONÄNDERUNGEN VORBEHALTEN

PN 10 ÷ 16 - ANSI 150

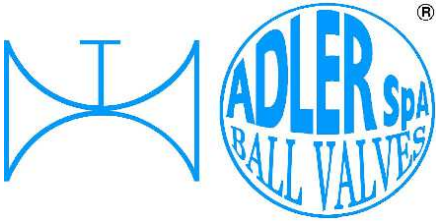
PN 25 ÷ 40 on request

PN 10 ÷ 40

DN 100 ANSI 150 S=100,5 S<sub>1</sub> = 240



ADLER SpA - BALL VALVES  
 20010 S. STEFANO TICINO (MI) ITALY V.le BORLETTI, 14 Tel. +39/02974842.11 FAX +39/0297271698  
 E-mail: [adler@adlerspa.com](mailto:adler@adlerspa.com) <http://www.adlerspa.com>



ISO 9001:2015 by L.R.  
 PED DIR. 2014/68/UE by L.R.  
 ATEX DIR. 2014/34/UE by B.V.  
 FIRE SAFE EXECUTION by L.R.  
 ISO 15848 by TÜV  
 ANTISTATIC DEVICE by L.R.  
 FIRE SAFE TESTED ISO 10497 by L.R.  
 EAC CERTIFICATION by B.V.

TYPE  
**FT4**  
 PN 10 ÷ 40  
 ANSI 150 ÷ 300

• ESECUZIONI • EXECUTIONS • EXECUTIONS • AUSFÜHRUNGEN



EXECUTION 4- 12

ONLY FOR VALVES ≥ DN 80 **S**

FORO DI BILANCIAMENTO  
 BALANCING HOLE  
 TROU DE BALANCEMENT  
 DRUCKENTLASTUNGSBOHRUNG

ON REQUEST AVAILABLE ON DN ≤ 65



EXECUTION 6 - 16

**S** STANDARD

**O** OPTIONAL

**1** **S**

-MONTAGGIO VITI – SCREW ASSEMBLING  
 -MONTAGE VIS – EINBAU MIT SCHRAUBEN

**2** **S**

INDICATORE DI FLUSSO  
 FLOW INDICATOR

**ADLER**

UNA GAMMA COMPLETA  
 PRIVILEGIANDO LA QUALITA'

A COMPLETE RANGE PRIVILEGING  
 THE QUALITY

**4** **S**

-STELO ANTI ESPULSIONE –ANTI BLOW OUT STEM  
 -TIGE ANTIEXPULSION –AUSBLASGESICHERTE WELLE

-PACCO A "V" –CHEVRON RINGS  
 -JOINT A "V" –3 FACHE DACHMANSCHETE  
 ANTISTATIC DEVICE ANTISTATIK VORRICHTUNG  
 BS 5146

**ANTISTATIC DEVICE  
 CERTIFICATE**

**6** **O**

**BREVETTO – PATENTED  
 00219688**

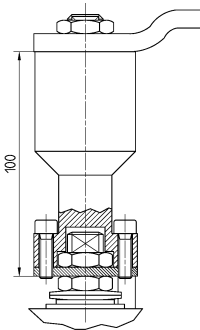
-“O” RING STELO “O” RING ON STEM  
 -TIGE AVEC “O” RING  
 -“O” RING IM SPINDELBEREICH



ISO 9001:2015 by L.R.  
 PED DIR. 2014/68/UE by L.R.  
 ATEX DIR. 2014/34/UE by B.V.  
 FIRE SAFE EXECUTION by L.R.  
 ISO 15848 by TÜV  
 ANTISTATIC DEVICE by L.R.  
 FIRE SAFE TESTED ISO 10497 by L.R.  
 EAC CERTIFICATION by B.V.

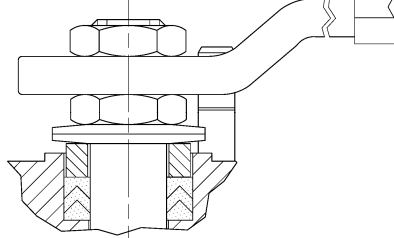
TYPE  
**FT4**  
 PN 10 ÷ 40  
 ANSI 150 ÷ 300

7



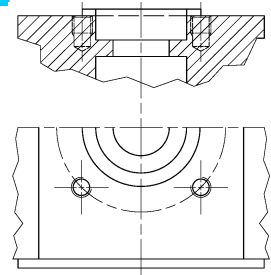
-PROLUNGA STELO -STEM EXTENSION  
 -TIGE PROLONGEE -SPINDELVERLÄNGERUNG

8



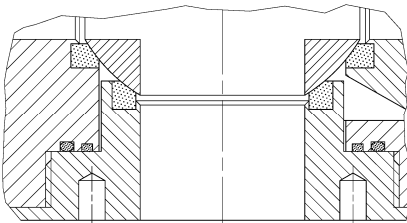
-PARTICOLARI INOX  
 -STAINLESS STEEL DETAILS  
 -ACCESSOIRES EN INOX  
 -EDELSTAHLTEILE

9



-ATTACCO "ISO" -"ISO" CONNECTIONS  
 -SYSTEM "ISO" -ANSCHLUSS "ISO"

10



-SFERA CONTENUTA -CONTENTS BALL  
 -BOULE CONTENUE  
 -NICHT RAUSRAGENDE KUGEL

AQUILA - AEGLE - AIGLE  
 ADLER

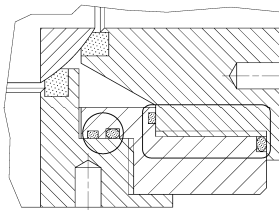


12

FIRE SAFE  
 ISO 10497 "ISO-FT"  
 (BS 6755 / API 607)

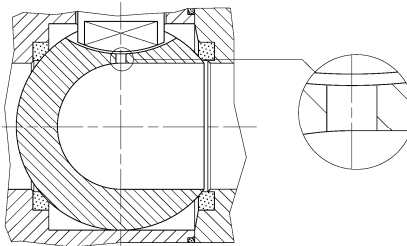


13



-DOPPIA TENUTA -DOUBLE SEALS  
 -DOUBLE ETANCHEITE -DOPPELTE ABDICHTUNG  
 -GHIERA A BATTUTA -METAL BEATING RING  
 -EMBOUT AVEC BATTUE MECANIQUE  
 -METALLISCHER ANSCHLAG DES  
 GEWINDEDRUCKRINGS

14



-FORO DI SCARICO NELLA SFERA  
 -OVERPRESSURE HOLE INTO BALL  
 -TROU DECOMPRESSION DANS LA BOULE  
 -ENTLASTUNGSBOHRUNG IN DER KUGEL

DIMENSION CHECK

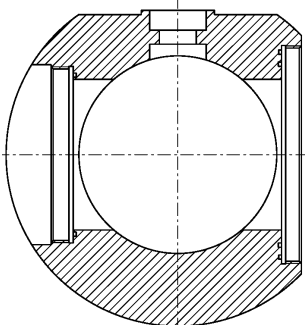


16



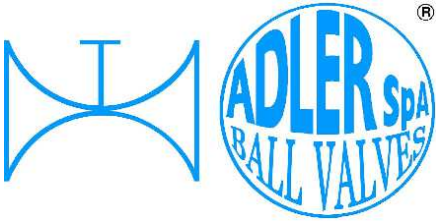
-FIRE SAFE ISO FT+ "O" RING STELO  
 -FIRE SAFE ISO FT+ "O" RING ON STEM  
 -SECURITE FEU ISO FT+ TIGE AVEC "O" RING  
 -FEUERSICHERE AUSFUHRUNG ISO FT+  
 "O" RING IM SPINDELBEREICH

17



**ADLER**

UNA GAMMA COMPLETA  
 PRIVILEGIANDO LA QUALITA'  
 A COMPLETE RANGE PRIVILEGING  
 THE QUALITY



**ISO 9001:2015 by L.R.**  
**PED DIR. 2014/68/UE by L.R.**  
**ATEX DIR. 2014/34/UE by B.V.**  
**FIRE SAFE EXECUTION by L.R.**  
**ISO 15848 by TÜV**  
**ANTISTATIC DEVICE by L.R.**  
**FIRE SAFE TESTED ISO 10497 by L.R.**  
**EAC CERTIFICATION by B.V.**

**TYPE**  
**FT4**  
**PN 10 ÷ 40**  
**ANSI 150 ÷ 300**

**VITI D'ASSEMBLAGGIO PER FT4 - ASSEMBLING SCREWS FOR FT4 - VIS D'ASSEMBLAGE POUR FT4- MONTAGESCHRAUBEN FÜR FT4**  
**N° VITI - DIMENSIONE • N° SCREW - DIMENSIONS • N° VIS- DIMENSIONS • N° SCHRAUBEN - ABMESSUNGEN**

## EUROPEAN NORM

DN PN	15		20		25		32		40		50		65		80		100		125		150		200	
16	12	M12 X30	12	M12 X30	12	M12 X30	12	M16 X35	12	M16 X35	12	M16 X40	12	M16 X40	24	M16 X40	24	M16 X40						
25	12	M12 X30	12	M12 X35	12	M12 X35	12	M16 X40	12	M16 X40	12	M16 X40	24	M16 X45	24	M16 X45	24	M20 X50						
40	12	M12 X30	12	M12 X35	12	M12 X35	12	M16 X40	12	M16 X40	12	M16 X40	24	M16 X45	24	M16 X45	24	M20 X50						

\* N° 8 per UNI 2223/2229

## ANSI METRIC

(STANDARD ADLER)

Ø Rating	1/2"		3/4"		1"		1 1/4"		1 1/2"		2"		2 1/2"		3"		4"		5"		6"		8"	
150	12	M14 X30	12	M14 X30	12	M14 X30	12	M14 X35	12	M14 X35	12	M16 X40	12	M16 X40	12	M16 X45	24	M16 X45						

## ANSI B1.1 UNC

(ON REQUEST)

Ø Rating	1/2"		3/4"		1"		1 1/4"		1 1/2"		2"		2 1/2"		3"		4"		5"		6"		8"	
150	12	1/2 X 1 1/4	12	1/2 X 1 1/4	12	1/2 X 1 1/4	12	1/2 X 1 1/4	12	1/2 X 1 1/2	12	5/8 X 1 1/2	12	5/8 X 1 3/4	12	5/8 X 1 3/4	24	5/8 X 1 3/4						

Length of screws calculated considering a gasket with thickness of 2,5 mm.

