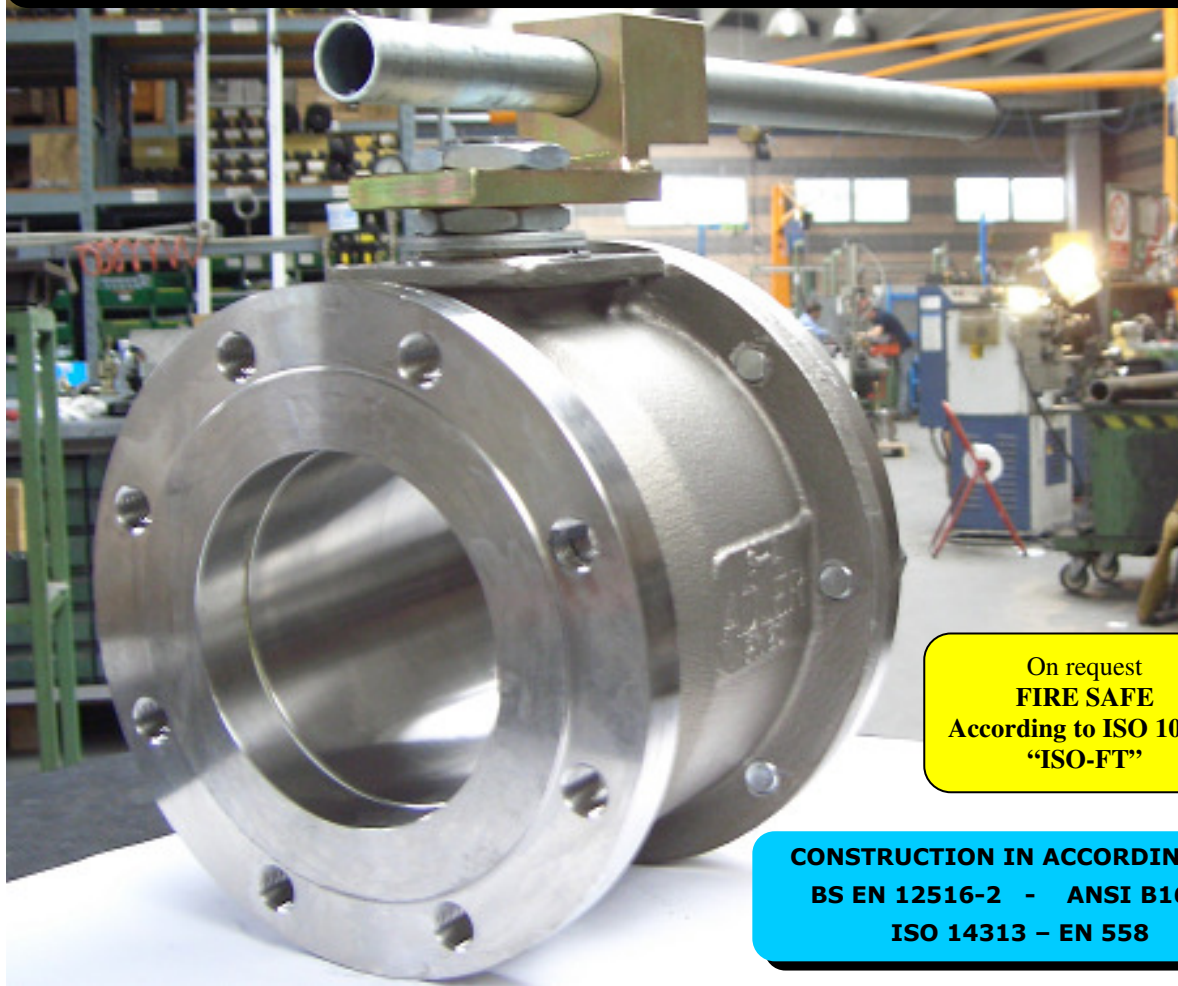


ISO 9001:2008 by L.R.
PED DIR. 97/23/EC by L.R.
ATEX DIR. 94/9/EC by B.V.
FIRE SAFE EXECUTION by L.R.
ISO 15848 by TÜV
ANTISTATIC DEVICE by L.R.
FIRE SAFE TESTED ISO 10497 by L.R.

TYPE
FB2
PN 10 ÷ 40
ANSI 150 ÷ 300

VALVOLE A SFERA "CORPO PIATTO" SPLIT BODY PASSAGGIO TOTALE

ISO nbr° LRC 0160281 QMS issued by L.R.Q.A. PED nbr° COV 0212112/01 issued by L.R.V.
ATEX nbr° 40.2003.4392 issued by B.V. ISO 15848 nbr° I-148466/1-/2 issued by TÜV

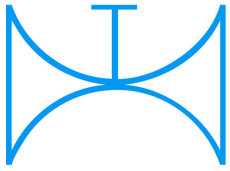


On request
FIRE SAFE
According to ISO 10497
"ISO-FT"

CONSTRUCTION IN ACCORDING TO:
BS EN 12516-2 - ANSI B16.34
ISO 14313 - EN 558

BALL VALVES
"WAFER TYPE" FULL BORE SPLIT BODY
ROBINETS A BOULE
"WAFER" PASSAGE INTEGRAL 2 PIECES
FLANSCHKUGELHÄHNE IN "KONPAKTBAUWEISE"
VOLLER DURCHGANG ZWEIFTEILIGES GEHÄUSE

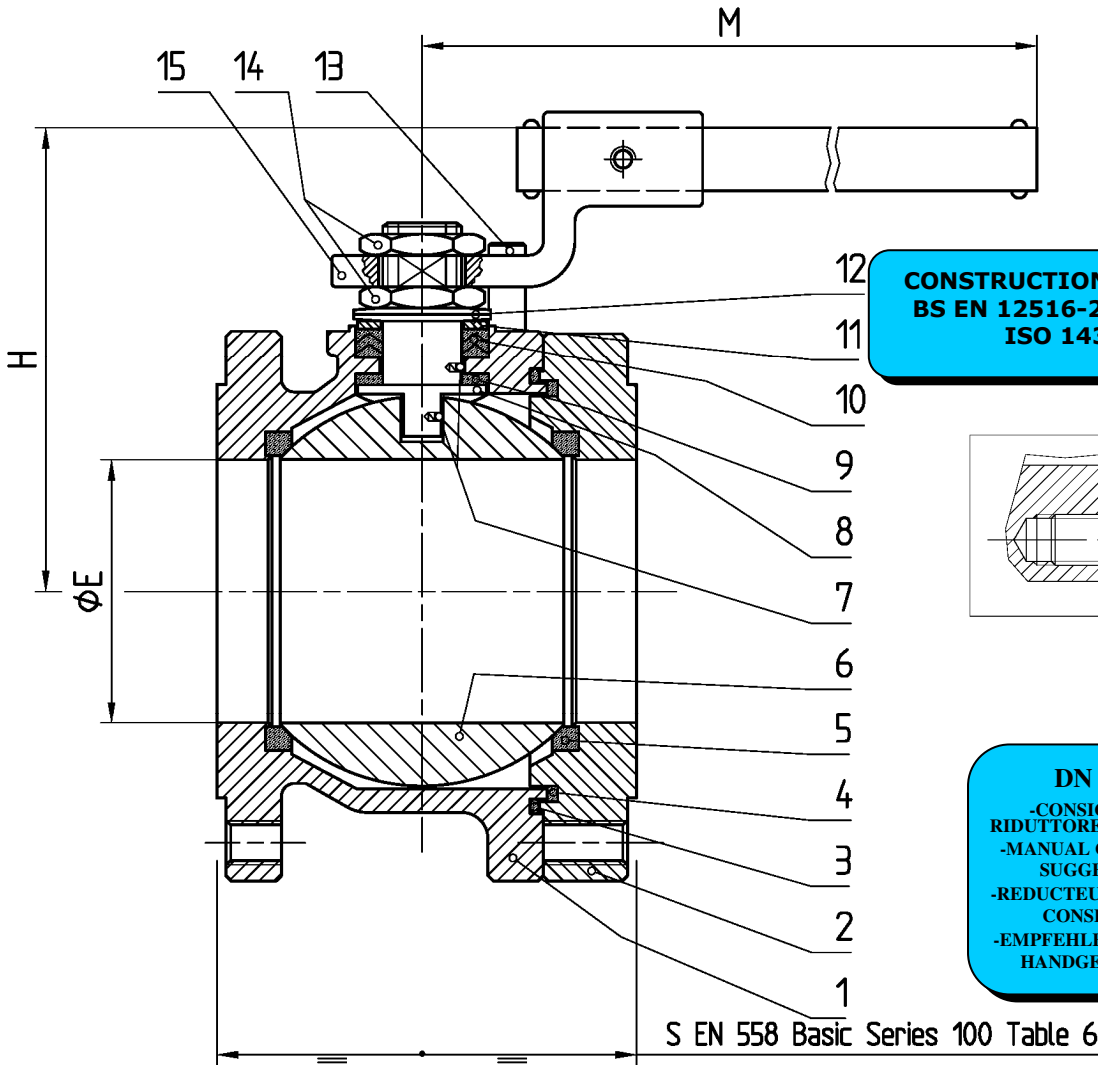
WEB SITE: WWW.ADLERSPA.COM



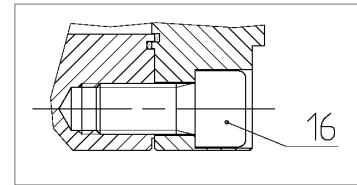
ISO 9001:2008 by L.R.
 PED DIR. 97/23/EC by L.R.
 ATEX DIR. 94/9/EC by B.V.
 FIRE SAFE EXECUTION by L.R.
 ISO 15848 by TÜV
 ANTISTATIC DEVICE by L.R.
 FIRE SAFE TESTED ISO 10497 by L.R.

TYPE
FB2
 PN 10 ÷ 40
 ANSI 150 ÷ 300

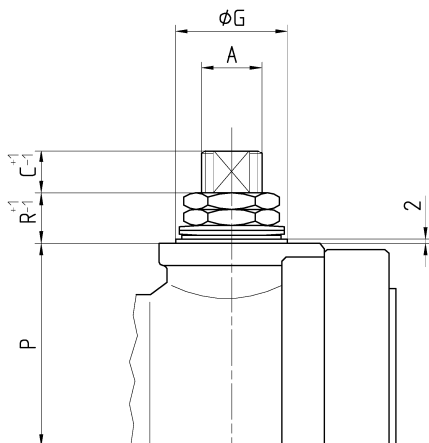
VALVOLA A SFERA "CORPO PIATTO" SPLIT BODYPASSAGGIO TOTALE
 BALL VALVES "WAFER TYPE" SPLIT BODY FULL BORE
 ROBINETS A BOULE "WAFER" PASSAGE INTEGRAL 2 PIECES
 FLANSCHKUGELHÄHNE IN "KOMPAKTBAUWEISE" VOLLER DURCHGANG ZWEITEILIGES GEHÄUSE



CONSTRUCTION IN ACCORDING TO:
 BS EN 12516-2 - ANSI B 16.34
 ISO 14313 - EN 558

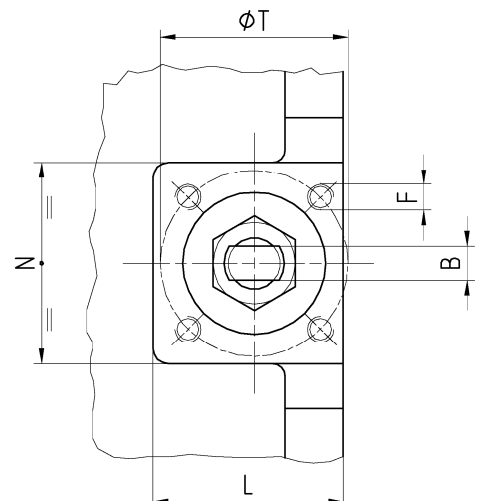


DN 200
 -CONSIGLIATO
 RIDUTTORE MANUALE
 -MANUAL GEAR BOX
 SUGGESTED
 -REDUCTEUR MANUEL
 CONSEILLE
 -EMPFEHLEN WIR EIN
 HANDGETRIEBE



- ACCOPPIAMENTO VALVOLA ATTUATORE
- CONNECTION VALVE ACTUATOR
- ACCOUPLEMENT ROBINET-ACTIONNEUR
- ZUSAMMENBAU KUGELHAHN ANTRIEB

ISO-5211



N.	DESCRIZIONE DESCRIPTION BESCHREIBUNG	MATERIALI MATERIALS MATERIAUX WERKSTOFFE
1	CORPO BODY CORPS KÖRPER	ASTM A 351 CF8 ASTM A 351 CF8M ASTM A 216 WCB
2	LATERALE END LATERAL GEGENGEHÄUSE	ASTM A 182 F304- A479 S30400 ASTM A 182 F316- A479 S31600
3*	O-RING	FKM - (VITON)
4*	ANELLO SEAL ANNEAU DICHTUNGSRING	P.T.F.E.
5*	SEDE SEAT SIEGE SITZRING	P.T.F.E. / R.P.T.F.E.
6	SFERA BALL BOULE KUGEL	ASTM A182 F304-A479 S30400 ASTM A351 CF8 ASTM A182 F316-A479 S31600 ASTM A351 CF8M
7	DISPOSITIVO ANTISTATICO ANTISTATIC DEVICE CONTACT ANTISTATIQUE ANTISTATIK VORRICHTUNG	ASTM A479 S31600
8	STELO STEM TIGE SPINDEL	ASTM A182 F304-A479 S30400 ASTM A182 F316-A479 S31600

N.	DESCRIZIONE DESCRIPTION BESCHREIBUNG	MATERIALI MATERIALS MATERIAUX WERKSTOFFE
9*	BUSSOLA STEM SEAL JOINT TIGE UNTERE SPINDELABDICHTUNG	P.T.F.E.
10*	PACCO A "V" CHEVRON RINGS JOINT A "V" 3 FACHE DACHMANSCHETTE	P.T.F.E. / GRAFITE P.T.F.E. / GRAPHITE P.T.F.E. / GRAPHITE P.T.F.E. / GRAPHIT
11	PREMIBUSSOLA PRESSING BUSH PRESSE RONDELLE STOPFBUCHSDRUCKRING	ASTM A479 S31600
12	MOLLE A TAZZA SPRING WASHERS RONDELLES BELLEVILLE TELLERFEDERN	C72/50Cr V ₄ ZINCATO - GALVANIZED ZINGUE - VERZINKT
13	VITE DI FERMO E FERMO PIN AND STOP PIN PLOT ET PLOT D'ARRET ANSCHLAGBOLZEN	UNI 3740 - 8.8 ZINCATO - GALVANIZED ZINGUE - VERZINKT
14	DADO - CONTRODADO NUT - LOCK NUT ECROU - CONTRE-ECROU MUTTER - KONTERMUTTER	UNI 3740 - 6S ZINCATO - GALVANIZED ZINGUE - VERZINKT
15	LEVA WRENCH LEVIER HANDHEBEL	UNI 5946 Fe 37 ZINCATO - GALVANIZED ZINGUE - VERZINKT
16	VITE SCREW VIS SCHRAUBE	UNI 3740-8.8 ZINCATO-GALVANIZED- ZINGUE-VERZINKT

* RICAMBI CONSIGLIATI - RECOMMENDED SPARE PARTS - PIECES DE RECHANGE CONSEILLEES - ERSATZTEIL EMPFEHLUNG
SEALS

DIMENSIONI - DIMENSION - DIMENSIONS - ABMESSUNGEN

DN	10	15	20	25	32	40	50	65	80	100	125	150	200	250	300
A												42	48		
B												28	32		
C												19	20		
E												152	203		
F												M12	M16		
ISO												F12	F14		
G												85	100		
H												256	294		
L												116	135		
M												750	900		
N												113	135		
P												144	183		
R												34	36		
P												144			
R												34			
S												234	310		
T												125	140		
Kg												90	121		

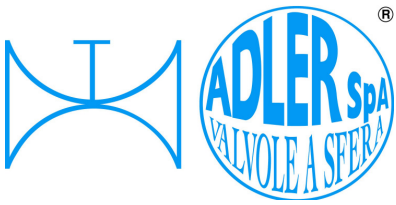
- DATI E CARATTERISTICHE SOGGETTI A VARIAZIONI SENZA PREAVVISO
- SPECIFICATIONS SUBJECT TO MODIFICATION WITHOUT PRIOR NOTICE
- TOUS DROITS DE MODIFICATION RESERVES
- KONSTRUKTIONSÄNDERUNGEN VORBEHALTEN

PN 10 ÷ 40 - ANSI 150

ANSI 300



ADLER SpA - VALVOLE A SFERA
20010 S. STEFANO TICINO (MI) ITALY V.le BORLETTI, 14 Tel. +39/02974842.11 FAX +39/0297271698
E-mail: adler@adlerspa.com <http://www.adlerspa.com>



ISO 9001:2008 by L.R.
 PED DIR. 97/23/EC by L.R.
 ATEX DIR. 94/9/EC by B.V.
 FIRE SAFE EXECUTION by L.R.
 ISO 15848 by TÜV
 ANTISTATIC DEVICE by L.R.
 FIRE SAFE TESTED ISO 10497 by L.R.

TYPE
FA1
 PN 10 ÷ 40
 ANSI 150 ÷ 300

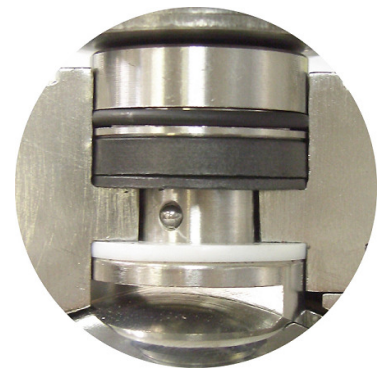
VALVOLA A SFERA "CORPO PIATTO" PASSAGGIO TOTALE
 BALL VALVES "WAFER TYPE" FULL BORE

ROBINETS A BOULE "WAFER" PASSAGE INTEGRAL
 FLANSCHKUGELHÄHNE IN "KOMPAKTBAUWEISE" VOLLER DURCHGANG

- ESECUZIONI
- EXECUTIONS
- EXECUTIONS
- AUSFÜHRUNGEN



EXECUTION 4 - 12



EXECUTION 6 - 16

S STANDARD

O OPTIONAL

1 **S**

-MONTAGGIO VITI - SCREW ASSEMBLING
 -MONTAGE VIS - EINBAU MIT SCHRAUBEN

2 **O**

-MONTAGGIO DI FONDO
 -END TANK ASSEMBLING
 -MONTAGE FOND DE CUVE
 -EINBAU ALS BODENABLASSKUGELHAHN

ADLER

UNA GAMMA COMPLETA
 PRIVILEGIANDO LA QUALITA'

A COMPLETE RANGE PRIVILEGING
 THE QUALITY

4 **S**

-STELO ANTI ESPULSIONE -ANTI BLOW OUT STEM
 -TIGE ANTIEXPULSION -AUSBLASGESICHERTE WELLE

-PACCO A "V" -CHEVRON RINGS
 -JOINT A "V" -3 FACHE DACHMANSCHETE
 ANTISTATIC DEVICE ANTISTATIK VORRICHTUNG
 BS 5146

PED CERTIFICATION

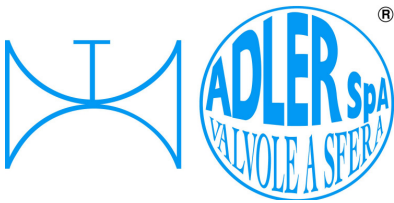
Lloyd's Register
 EC CERTIFICATE OF CONFORMITY
 In accordance with the requirements of the Pressure Equipment Directive 97/23/EC and the Pressure Equipment Regulations 1999 UK Statutory Instrument 1999 No. 2001 and SI 2002 No. 1427
 This is to certify that the Quality Management System of
ADLER SpA
VALVOLE A SFERA
20010 S. PIETRO VENEZIA 001
 Italy
 has been assessed against the requirements of Annex B, Table B, of the Pressure Equipment Directive 97/23/EC and Statutory Instrument No. 2001 and SI 2002 No. 1427 and conforms to the requirements for pressure equipment.
 Design and manufacture of manual and pneumatic actuated ball valves (straight, angle, cross and float types) in carbon, alloy and special alloy from 1/2" to 24" DN 10 to 2400 class rating 1500 (PN 20), from 1/2" to 18" DN 10 to 2400 class rating 3000 (PN 40) to 24" DN 10 to 2400 class rating 4500 (PN 60) to 24" DN 10 to 2400 class rating 6000 (PN 80) to 24" DN 10 to 2400 class rating 9000 (PN 120) to 24" DN 10 to 2400 class rating 15000 (PN 200) to 24" DN 10 to 2400 class rating up to PN3500.
 Approved in respect of the consistent maintenance of the quality system in accordance with the requirements of the above Directive and Regulation.
 Authorisation is hereby given to use the PED Approval Body Identification Number in accordance with the requirements of the above Directive and Regulation in respect of the products as described.
 CERTIFICATE NO. COV/02/01/011
 ISSUE APPROVED: 10th June 2008
 CLASSIFICATION: 10th June 2008
 CERTIFICATE EXPIRES: 09th April 2011
 LRI (Lloyd's Register) Number 0208

6 **O**

BREVETTO - PATENTED
00219688

FKM (VITON)

-“O” RING STELO -“O” RING ON STEM
 -TIGE AVEC “O” RING
 -“O” RING IM SPINDELBEREICH



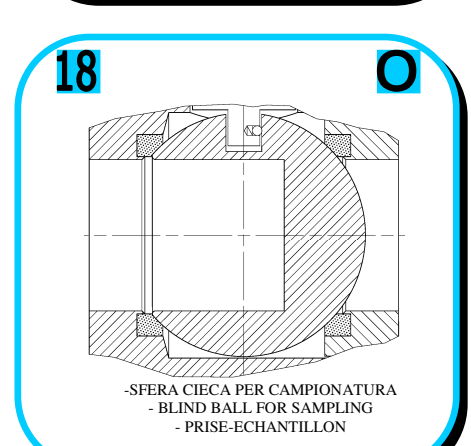
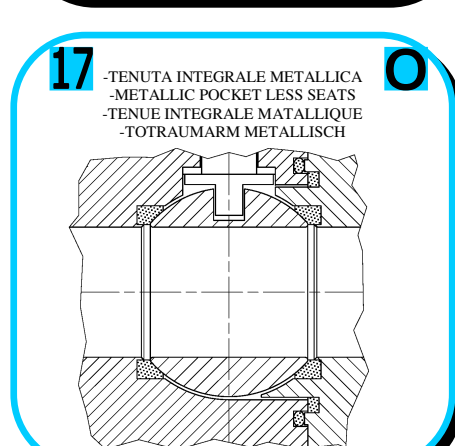
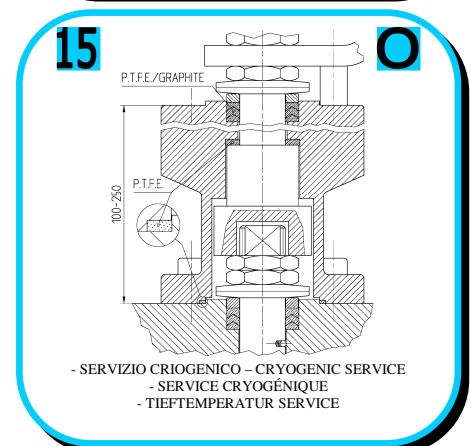
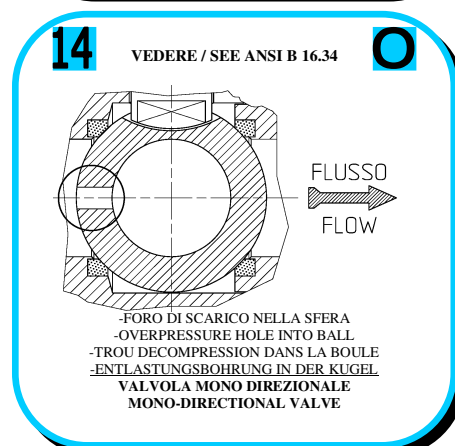
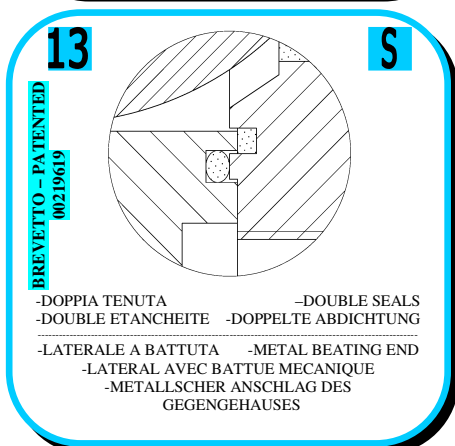
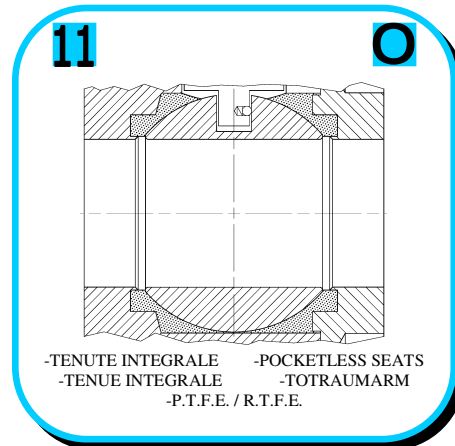
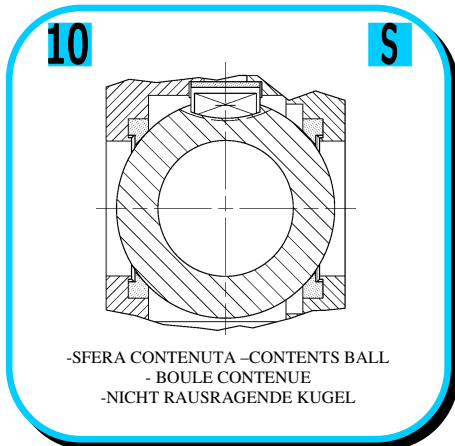
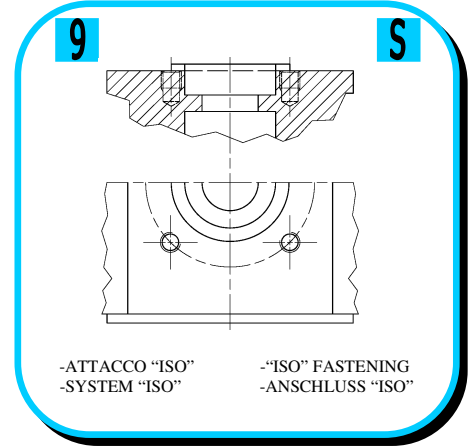
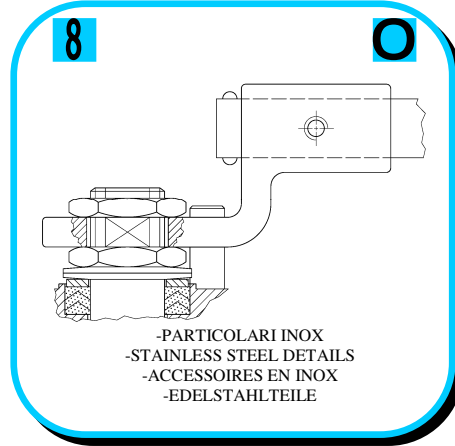
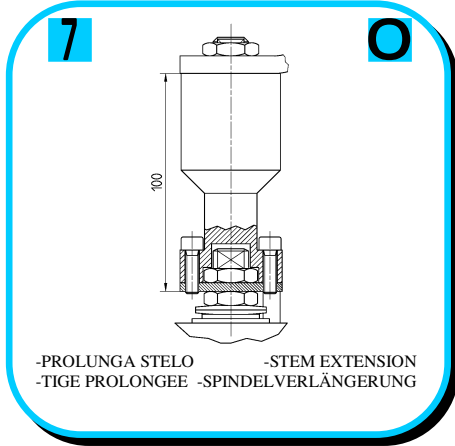
ISO 9001:2008 by L.R.
 PED DIR. 97/23/EC by L.R.
 ATEX DIR. 94/9/EC by B.V.
 FIRE SAFE EXECUTION by L.R.
 ISO 15848 by TÜV
 ANTISTATIC DEVICE by L.R.
 FIRE SAFE TESTED ISO 10497 by L.R.

TYPE
FA1
 PN 10 ÷ 40
 ANSI 150 ÷ 300

VALVOLA A SFERA "CORPO PIATTO" PASSAGGIO TOTALE
 BALL VALVES "WAFER TYPE" FULL BORE

ROBINETS A BOULE "WAFER" PASSAGE INTEGRAL
 FLANSCHKUGELHÄHNE IN "KOMPAKTBAUWEISE" VOLLER DURCHGANG

• ESECUZIONI • EXECUTIONS • EXECUTIONS • AUSFÜHRUNGEN





**VITI D'ASSEMBLAGGIO PER FB2
ASSEMBLING SCREWS FOR FB2
VIS D'ASSEMBLAGE POUR FB2
MONTAGESCHRAUBEN FÜR FB2**

**TABLE
07**

N° VITI – DIMENSIONE • N° SCREW – DIMENSIONS • N° VIS- DIMENSIONS • N° SCHRAUBEN – ABMESSUNGEN

EUROPEAN NORM

DN PN	10-15	20	25	32	40	50	65	80	100	125	150	200		
10											16	M20 X45	16	M20 X50
16											16	M20 X45	24	M20 X50
25											16	M24 X55	24	M24 X60
40											16	M24 X55	24	M27 X65

* N° 8 per UNI 2223/2229

ANSI METRIC

(STANDARD ADLER)

Rating Ø	1/2"	3/4"	1"	1 1/4"	1 1/2"	2"	2 1/2"	3"	4"	5"	6"	8"		
150											16	M20 X50	16	M20 X50
300											24	M20 X60	24	M24 X70

ANSI B1.1 UNC

(ON REQUEST)

Rating Ø	1/2"	3/4"	1"	1 1/4"	1 1/2"	2"	2 1/2"	3"	4"	5"	6"	8"		
150											16	3/4 X 2	16	3/4 X 2
300											24	3/4 X 2 1/4	24	7/8 X 2 3/4

ADLER SHIPPING/PACKING DEPT.



Tab-07/08 RIPRODUZIONE VIETATA - COPYRIGHT

