



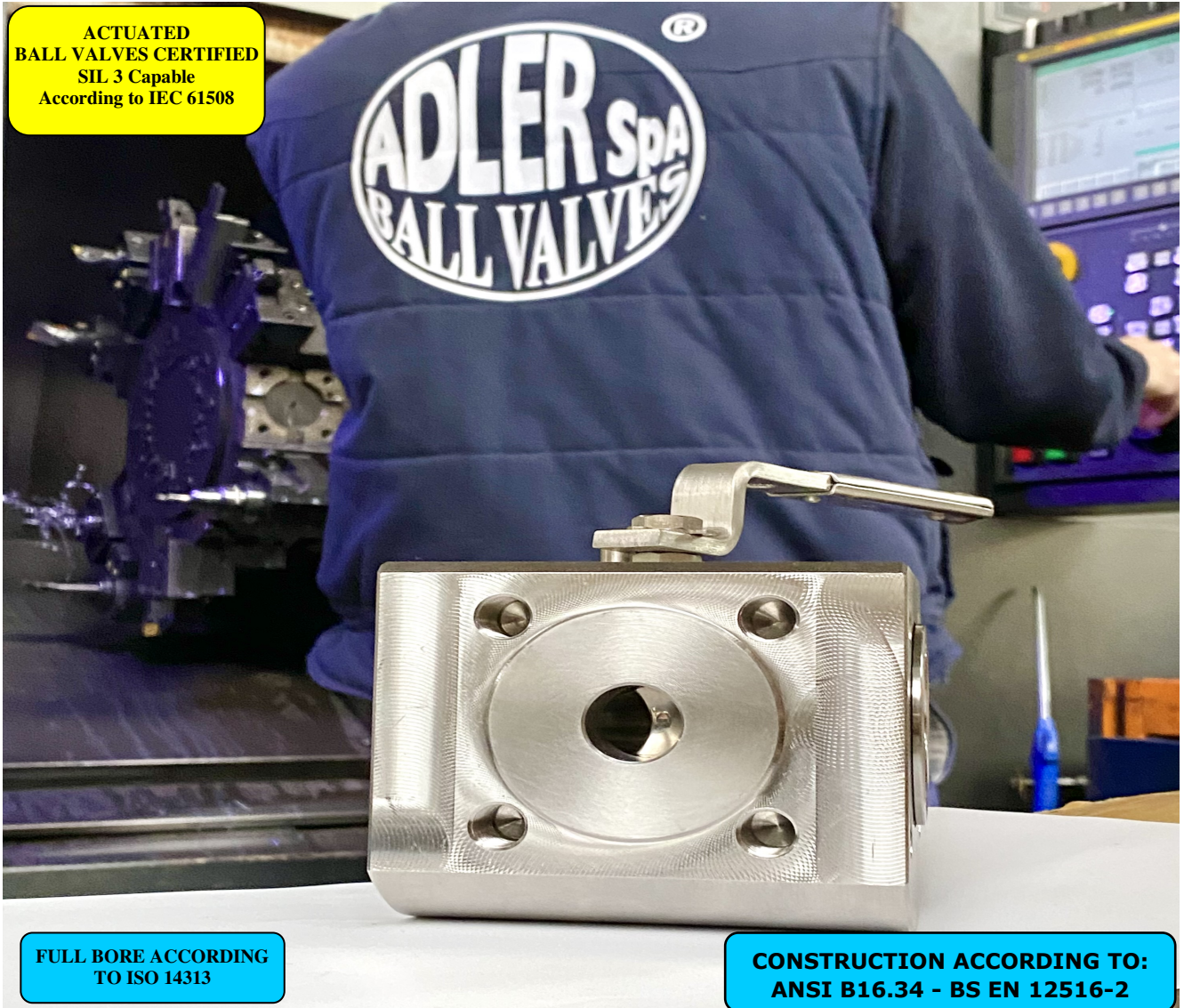
ISO 9001 by L.R.  
PED DIR. 2014/68/UE by L.R.  
ATEX DIR. 2014/34/UE by B.V.  
FIRE SAFE EXECUTION BS6755/API 607 by L.R.  
FIRE SAFE TESTED ISO 10497 by L.R.  
ISO 15848 by TÜV  
ANTISTATIC DEVICE by L.R.  
EAC CERTIFICATION by B.V.

TYPE  
**FZ4**  
PN 10 ÷ 40  
ANSI 150 ÷ 300\*

NORME E DIRETTIVE APPLICATE DISPONIBILI AL SEGUENTE LINK:  
STANDARD AND DIRECTIVE APPLIED AVAILABLE AT FOLLOWING LINK:  
[http://www.adlerspa.com/pdf/NORME\\_ADLER.pdf](http://www.adlerspa.com/pdf/NORME_ADLER.pdf)

## VALVOLE A SFERA "3 VIE CORPO PIATTO" PASSAGGIO TOTALE 90°

ACTUATED  
BALL VALVES CERTIFIED  
SIL 3 Capable  
According to IEC 61508



FULL BORE ACCORDING  
TO ISO 14313

CONSTRUCTION ACCORDING TO:  
ANSI B16.34 - BS EN 12516-2

**BALL VALVES "3 WAY WAFER" FULL BORE 90°**  
**ROBINETS A BOISSEAU SPHERIQUE**  
**"3 VOIES WAFER"**  
**PASSAGE INTEGRAL 90°**  
**KUGELHÄHNE "3 WEGE KOMPAKTHAHN"**  
**VOLLER DURCHGANG 90°**

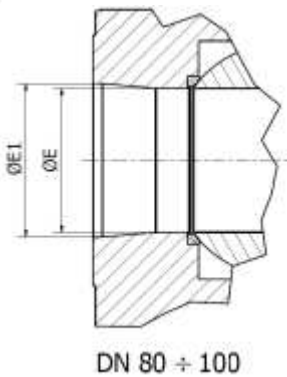
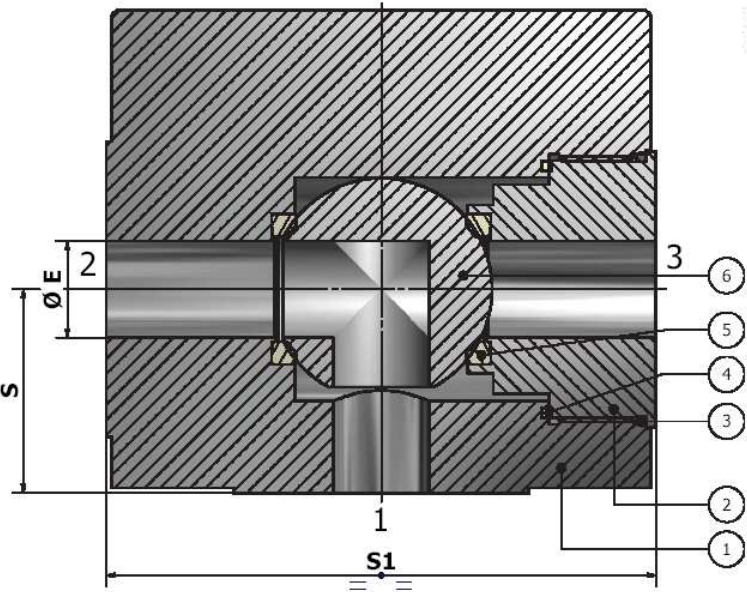
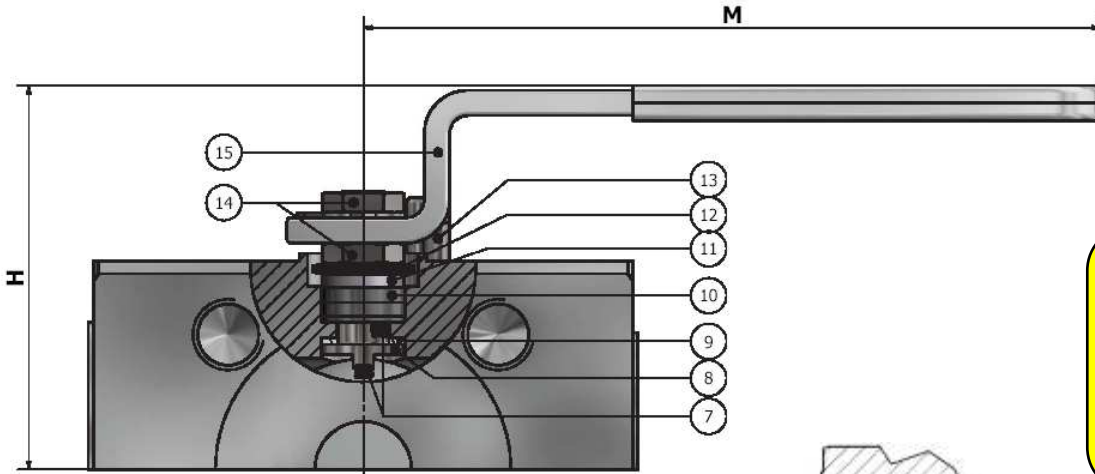
WEB SITE: [WWW.ADLERSPA.COM](http://WWW.ADLERSPA.COM)



ISO 9001 by L.R.  
 PED DIR. 2014/68/UE by L.R.  
 ATEX DIR. 2014/34/UE by B.V.  
 FIRE SAFE EXECUTION BS6755/API 607 by L.R.  
 FIRE SAFE TESTED ISO 10497 by L.R.  
 ISO 15848 by TÜV  
 ANTISTATIC DEVICE by L.R.  
 EAC CERTIFICATION by B.V.

TYPE  
**FZ4**  
 PN 10 ÷ 40  
 ANSI 150 ÷ 300\*

VALVOLA A SFERA "3 VIE CORPO PIATTO" PASSAGGIO TOTALE 90°  
 BALL VALVES "3 WAY WAFER" FULL BORE 90°  
 ROBINETS A BOISSEAU SPHERIQUE "3 VOIES WAFER" PASSAGE INTEGRAL 90°  
 KUGELHÄHNE "3 WEGE KOMPAKTHAHN" VOLLER DURCHGANG 90°



**VISUALIZZA 3D  
 VIEW 3D**

<https://adlerspa.com/prodotti/fz4>

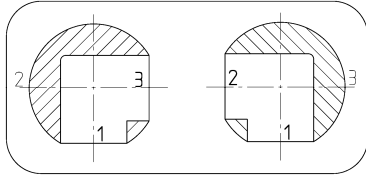
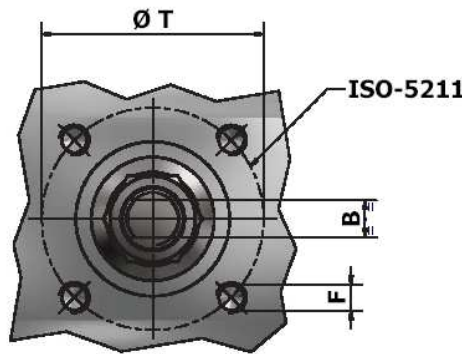
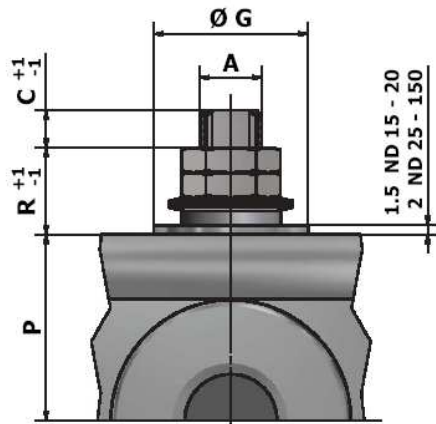
Per montaggio con guarnizioni  
 spirometalliche, contattare Adler Spa.  
 For assembling with spiral-wound  
 gaskets, contact Adler Spa

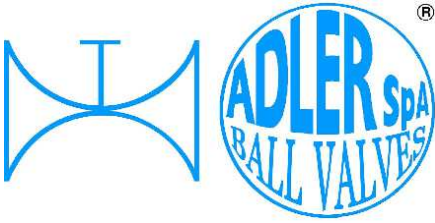
**FLANGE DIMENSIONS  
 according to  
 EN 1092-1 or ANSI B16.5**  
 see table  
<https://adlerspa.com/wp-content/uploads/2023/11/Tabella-dimensioni-flange-valvole-Adler.pdf>

VIA N° 1 SEMPRE APERTA  
 WAY N° 1 ALWAYS OPEN

DN 65 PN 16 ESECUZIONE  
 STANDARD CON 4 FORI  
 SU RICHIESTA DISPONIBILE  
 CON 8 FORI  
 DN 65 PN 16 STANDARD  
 EXECUTION WITH 4 HOLES  
 ON REQUEST AVAILABLE WITH  
 8 HOLES

POSIZIONI OTTENIBILI  
 OBTAINABLE POSITIONS  
 POSITIONS OBTENABLES  
 MÖGLICHE STELLUNGEN





ISO 9001 by L.R.  
 PED DIR. 2014/68/UE by L.R.  
 ATEX DIR. 2014/34/UE by B.V.  
 FIRE SAFE EXECUTION BS6755/API 607 by L.R.  
 FIRE SAFE TESTED ISO 10497 by L.R.  
 ISO 15848 by TÜV  
 ANTISTATIC DEVICE by L.R.  
 EAC CERTIFICATION by B.V.

TYPE  
**FZ4**  
 PN 10 ÷ 40  
 ANSI 150 ÷ 300\*

| N. | DESCRIZIONE<br>DESCRIPTION<br>DESCRIPTION<br>BESCHREIBUNG                                      | MATERIALI<br>MATERIALS<br>MATERIAUX<br>WERKSTOFFE                           |
|----|--|---|
| 1  | CORPO<br>BODY<br>CORPS<br>MITTE  | ASTM A105<br>ASTM A479 304/304L<br>ASTM A479 316/316L                       |
| 2  | GHIERA<br>INSERT<br>EMBOUT<br>GEWINDEDRUCKRING   | ASTM A105<br>ASTM A479 304/304L<br>ASTM A479 316/316L                       |
| 3* | O-RING   | FKM - (VITON)   |
| 4* | ANELLO<br>SEAL<br>ANNEAU<br>DICHTUNGSRING  | P.T.F.E.  |
| 5* | SEDE<br>SEAT<br>SIEGE<br>SITZRING  | P.T.F.E.<br>R.P.T.F.E. (OPTIONAL)   |
| 6  | SFERA<br>BALL<br>BOULE<br>KUGEL  | ASTM A479 304/304L<br>ASTM A351 CF8<br>ASTM A479 316/316L<br>ASTM A351 CF8M |
| 7  | DISPOSITIVO ANTISTATICO<br>ANTISTATIC DEVICE<br>CONTACT ANTISTATIQUE<br>ANTISTATIK VORRICHTUNG | ASTM A479 316/316L  |
| 8  | STELO<br>STEM<br>TIGE<br>SPINDEL   | ASTM A479 304/304L<br>ASTM A479 316/316L                                    |

| N.  | DESCRIZIONE<br>DESCRIPTION<br>DESCRIPTION<br>BESCHREIBUNG                             | MATERIALI<br>MATERIALS<br>MATERIAUX<br>WERKSTOFFE  |
|-----|---|--|
| 9*  | BUSSOLA<br>STEM SEAL<br>JOINT TIGE<br>UNTERE SPINDELABDICHTUNG                        | P.T.F.E.   |
| 10* | PACCO A "V"<br>CHEVRON RINGS<br>JOINT A "V"<br>3 FACHE DACHMANSCHETTE                 | P.T.F.E. / GRAFITE<br>P.T.F.E. / GRAPHITE<br>P.T.F.E. / GRAPHITE<br>P.T.F.E. / GRAPHIT         |
| 11  | PREMIUSSOLA<br>PRESSING BUSH<br>PRESSE RONDELLE<br>STOPFBUCHSDRUCKRING                | ASTM A479 304  |
| 12  | MOLLE A TAZZA<br>SPRING WASHERS<br>RONDELLES BELLEVILLE<br>TELLERFEDERN               | C72/50Cr V4<br>X10CrNi18.8<br>ZINCATO - GALVANIZED -<br>ZINGUE - VERZINKT<br>ON REQUEST        |
| 13  | VITE DI FERMO E FERMO<br>PIN AND STOP PIN<br>PLOINT ET PLOT D'ARRET<br>ANSCHLAGBOLZEN | UNI3740 8.8<br>UNI 3951 A2-70<br>ZINCATO - GALVANIZED -<br>ZINGUE - VERZINKT<br>ON REQUEST     |
| 14  | DADO - CONTRODADO<br>NUT - LOCK NUT<br>ECROU - CONTRE-ECROU<br>MUTTER - KONTERMUTTER  | UNI 3740 - 6S<br>ASTM A479 304<br>ZINCATO - GALVANIZED<br>ZINGUE - VERZINKT<br>ON REQUEST      |
| 15  | LEVA<br>WRENCH<br>LEVIER<br>HANDHEBEL   | AISI 1010<br>ASTM A479 304<br>CHROMED FOR S.S. VALVES<br>PAINTED FOR C.S. VALVES<br>ON REQUEST |
| 16  |   |  |

\* RICAMBI CONSIGLIATI - RECOMMENDED SPARE PARTS - PIECES DE RECHANGE CONSEILLEES - ERSATZTEIL EMPFEHLUNG

◇ ONLY IN VALVES DN20, 25, 32, 40, 80, 100, 125,150

ON REQUEST P.T.F.E. AVAILABLE CERTIFIED BAM, FDA, MOCA

## DIMENSIONI - DIMENSION - DIMENSIONS - ABMESSUNGEN

| DN  | 10 | 15   | 20  | 25   | 32   | 40   | 50  | 65   | 65  | 80  | 100      | 100      | 125 | 150 | 200 |
|-----|----|------|-----|------|------|------|-----|------|-----|-----|----------|----------|-----|-----|-----|
| A   |    | 10   | 10  | 12   | 12   | 16   | 16  | 22   | 22  | 22  | 30       | 30       | 30  | 42  |     |
| B   |    | 6    | 6   | 8    | 8    | 10   | 10  | 14   | 14  | 14  | 18       | 18       | 18  | 28  |     |
| C   |    | 7    | 7   | 10   | 10   | 15   | 15  | 17   | 17  | 17  | 17       | 17       | 17  | 19  |     |
| ØE  |    | 15   | 19  | 25   | 30   | 38   | 51  | 64   | 64  | 76  | 98       | 98       | 115 | 150 |     |
| ØE1 |    | -    | -   | -    | -    | -    | -   | -    | -   | -   | 101      | 101      | 118 | 152 |     |
| F   |    | M5   | M5  | M5   | M5   | M6   | M6  | M8   | M8  | M8  | M10      | M10      | M10 | M12 |     |
| ISO |    | F03  | F03 | F03  | F03  | F05  | F05 | F07  | F07 | F07 | F07/F10* | F07/F10* | F10 | F12 |     |
| G   |    | 25   | 25  | 25   | 25   | 35   | 35  | 55   | 55  | 55  | 70       | 70       | 70  | 85  |     |
| H   |    | 70   | 75  | 90   | 95   | 112  | 122 | 147  | 147 | 149 | 174      | 174      | 183 | 256 |     |
| M   |    | 145  | 145 | 185  | 185  | 280  | 280 | 370  | 370 | 370 | 470      | 470      | 650 | 750 |     |
| P   |    | 36,6 | 41  | 46   | 51   | 57   | 67  | 85   | 85  | 87  | 99,5     | 107      | 113 | 144 |     |
| R   |    | 8    | 8   | 17   | 17   | 20   | 20  | 23   | 23  | 23  | 26       | 18       | 26  | 34  |     |
| S   |    | 32   | 40  | 41,5 | 52,5 | 56,5 | 62  | 70   | 81  | 87  | 96       | 106      | 116 | 153 |     |
| S1  |    | 97   | 108 | 115  | 140  | 150  | 165 | 185  | 206 | 216 | 230      | 262      | 290 | 350 |     |
| T   |    | 36   | 36  | 36   | 36   | 50   | 50  | 70   | 70  | 70  | 102      | 102      | 102 | 125 |     |
| ~Kg |    | 4    | 6,5 | 7,5  | 12   | 15,5 | 18  | 25,5 | 35  | 54  | 69       | 90       | 125 | 180 |     |

\*Information ISO dimensions on request

- DATI E CARATTERISTICHE SOGGETTI A VARIAZIONI SENZA PREAVVISO
- SPECIFICATIONS SUBJECT TO MODIFICATIONS WITHOUT PRIOR NOTICE
- TOUS DROITS DE MODIFICATION RESERVES
- KONSTRUKTIONSÄNDERUNGEN VORBEHALTEN
- **ANSI 300 ON REQUEST**

|                       |                                 |
|-----------------------|---------------------------------|
| PN 10 ÷ 16 - ANSI 150 | PN 25 ÷ 40                      |
| PN 10 ÷ 40            | DN 100 ANSI 150 S=100,5 S1= 240 |



ADLER SpA - BALL VALVES  
 20010 S. STEFANO TICINO (MI) ITALY V.le BORLETTI, 14 Tel. +39/02974842.11 FAX +39/0297271698  
 E-mail: [adler@adlerspa.com](mailto:adler@adlerspa.com) <http://www.adlerspa.com>



ISO 9001 by L.R.  
 PED DIR. 2014/68/UE by L.R.  
 ATEX DIR. 2014/34/UE by B.V.  
 FIRE SAFE EXECUTION BS6755/API 607 by L.R.  
 FIRE SAFE TESTED ISO 10497 by L.R.  
 ISO 15848 by TÜV  
 ANTISTATIC DEVICE by L.R.  
 EAC CERTIFICATION by B.V.

TYPE  
**FZ4**  
 PN 10 ÷ 40  
 ANSI 150 ÷ 300\*

• ESECUZIONI • EXECUTIONS • EXECUTIONS • AUSFÜHRUNGEN



EXECUTION 4- 12



EXECUTION 6 - 16

**S** STANDARD

**O** OPTIONAL

**1** **S**

-MONTAGGIO VITI – SCREW ASSEMBLING  
 -MONTAGE VIS – EINBAU MIT SCHRAUBEN

**2** **S**

INDICATORE DI FLUSSO  
 FLOW INDICATOR

**3** **S**

**DN 150**

UNIONE CORPO LATERALE CON VITE  
 BODY AND END ASSEMBLING WITH SCREW

Screw UNI 3740-8.8  
 GALVANIZED

**4** **S**

-STELO ANTI ESPULSIONE –ANTI BLOW OUT STEM  
 -TIGE ANTIEXPULSION –AUSBLASGESICHERTE WELLE

-PACCO A "V" –CHEVRON RINGS  
 -JOINT A "V" –3 FACHE DACHMANSCHETE  
 ANTISTATIC DEVICE ANTISTATIK VORRICHTUNG  
 BS 5146

**5** **S**

**DN 150**

BREVETTO – PATENTED  
 00219619

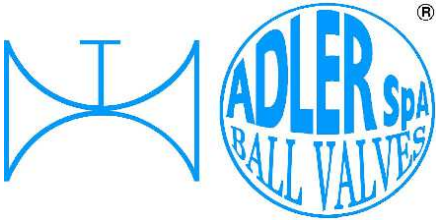
DOPPIA TENUTA – DOUBLE SEALS  
 DOUBLE ETACHEITE  
 DOPPELTE ABDICHTUNG

**6** **O**

BREVETTO – PATENTED  
 00219688 - 21-04-1993

FKM (VITON)

-“O” RING STELO “O” RING ON STEM  
 -TIGE AVEC “O” RING  
 -“O” RING IM SPINDELBEREICH



ISO 9001 by L.R.  
 PED DIR. 2014/68/UE by L.R.  
 ATEX DIR. 2014/34/UE by B.V.  
 FIRE SAFE EXECUTION BS6755/API 607 by L.R.  
 FIRE SAFE TESTED ISO 10497 by L.R.  
 ISO 15848 by TÜV  
 ANTISTATIC DEVICE by L.R.  
 EAC CERTIFICATION by B.V.

TYPE  
**FZ4**  
 PN 10 ÷ 40  
 ANSI 150 ÷ 300\*

**7** **O**

-PROLUNGA STELO -STEM EXTENSION  
 -TIGE PROLONGEE -SPINDELVERLÄNGERUNG

**8** **O**

-PARTICOLARI INOX  
 -STAINLESS STEEL DETAILS  
 -ACCESSOIRES EN INOX  
 -EDELSTAHLTEILE

**9** **S**

-ATTACCO "ISO" -"ISO" CONNECTIONS  
 -SYSTEM "ISO" -ANSCHLUSS "ISO"

**10** **S**

-SFERA CONTENUTA -CONTENTS BALL  
 -BOULE CONTENUE  
 -NICHT RAUSRAGENDE KUGEL

**11** **O**

-TENUTE INTEGRALE -POCKETLESS SEATS  
 -TENUE INTEGRALE -TOTRAUMARM  
 -P.T.F.E. / R.T.F.E.

**12** **O**

FIRE SAFE  
 ISO 10497 "ISO-FT"  
 (BS 6755 / API 607)

**13** **S**

-DOPPIA TENUTA -DOUBLE SEALS  
 -DOUBLE ETANCHEITE -DOPPELTE ABDICHTUNG  
 -GHIERA A BATTUTA -METAL BEATING RING  
 -EMBOUT AVEC BATTUE MECANIQUE  
 -METALLISCHER ANSCHLAG DES  
 GEWINDEDRUCKRINGS

ADLER COMPANY

**15** **O**

P.T.F.E./GRAPHITE  
 P.T.F.E.  
 100-250

-SERVIZIO CRIOGENICO - CRYOGENIC SERVICE  
 -SERVICE CRYOGENIQUE  
 -TIEFTEMPERATUR SERVICE

**16** **O**

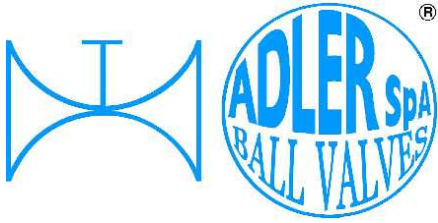
-FIRE SAFE ISO FT+ "O" RING STELO  
 -FIRE SAFE ISO FT+ "O" RING ON STEM  
 -SECURITE FEU ISO FT+ TIGE AVEC "O" RING  
 -FEUERSICHERE AUSFÜHRUNG ISO FT +  
 "O" RING IM SPINDELBEREICH

**17** **S**

**ADLER**

UNA GAMMA COMPLETA  
 PRIVILEGIANDO LA QUALITA'

A COMPLETE RANGE PRIVILEGING  
 THE QUALITY



ISO 9001 by L.R.  
 PED DIR. 2014/68/UE by L.R.  
 ATEX DIR. 2014/34/UE by B.V.  
 FIRE SAFE EXECUTION BS6755/API 607 by L.R.  
 FIRE SAFE TESTED ISO 10497 by L.R.  
 ISO 15848 by TÜV  
 ANTISTATIC DEVICE by L.R.  
 EAC CERTIFICATION by B.V.

TYPE  
**FZ4**  
 PN 10 ÷ 40  
 ANSI 150 ÷ 300\*

VITI D'ASSEMBLAGGIO PER FZ4 - ASSEMBLING SCREWS FOR FZ4 - VIS D'ASSEMBLAGE POUR FZ4- MONTAGESCHRAUBEN FÜR FZ4  
 N° VITI - DIMENSIONE • N° SCREW - DIMENSIONS • N° VIS- DIMENSIONS • N° SCHRAUBEN - ABMESSUNGEN

## EUROPEAN NORM

| DN<br>PN | 15               | 20               | 25               | 32               | 40               | 50               | 65               | 80               | 100              | 125              | 150              | 200              |
|----------|------------------|------------------|------------------|------------------|------------------|------------------|------------------|------------------|------------------|------------------|------------------|------------------|
| 16       | 12<br>M12<br>X30 | 12<br>M12<br>X30 | 12<br>M12<br>X30 | 12<br>M12<br>X30 | 12<br>M16<br>X35 | 12<br>M16<br>X35 | 12<br>M16<br>X40 | 12<br>M16<br>X40 | 24<br>M16<br>X40 | 24<br>M16<br>X40 | 24<br>M16<br>X45 | 24<br>M20<br>X45 |
| 25       | 12<br>M12<br>X30 | 12<br>M12<br>X35 | 12<br>M12<br>X35 | 12<br>M12<br>X35 | 12<br>M16<br>X40 | 12<br>M16<br>X40 | 12<br>M16<br>X40 | 24<br>M16<br>X45 | 24<br>M16<br>X45 | 24<br>M20<br>X50 | 24<br>M24<br>X55 | 24<br>M24<br>X55 |
| 40       | 12<br>M12<br>X30 | 12<br>M12<br>X35 | 12<br>M12<br>X35 | 12<br>M12<br>X35 | 12<br>M16<br>X40 | 12<br>M16<br>X40 | 12<br>M16<br>X40 | 24<br>M16<br>X45 | 24<br>M16<br>X45 | 24<br>M20<br>X50 | 24<br>M24<br>X55 | 24<br>M24<br>X55 |

\* N° 8 per UNI 2223/2229

## ANSI METRIC

(STANDARD ADLER)

| Ø<br>Rating | 1/2"             | 3/4"             | 1"               | 1 1/4"           | 1 1/2"           | 2"               | 2 1/2"           | 3"               | 4"               | 5"               | 6"               | 8" |
|-------------|------------------|------------------|------------------|------------------|------------------|------------------|------------------|------------------|------------------|------------------|------------------|----|
| 150         | 12<br>M14<br>X30 | 12<br>M14<br>X30 | 12<br>M14<br>X30 | 12<br>M14<br>X35 | 12<br>M14<br>X35 | 12<br>M16<br>X40 | 12<br>M16<br>X40 | 12<br>M16<br>X45 | 24<br>M16<br>X45 | 24<br>M20<br>X50 | 24<br>M20<br>X50 |    |
| 300         | 12<br>M14<br>X30 | 12<br>M16<br>X35 | 12<br>M16<br>X35 | 12<br>M16<br>X40 | 12<br>M20<br>X45 | 24<br>M16<br>X40 | 24<br>M20<br>X50 | 24<br>M20<br>X50 | 24<br>M20<br>X55 | 24<br>M20<br>X60 | 36<br>M20<br>X60 |    |

## ANSI B1.1 UNC

(ON REQUEST)

| Ø<br>Rating | 1/2"                 | 3/4"                 | 1"                   | 1 1/4"               | 1 1/2"               | 2"                   | 2 1/2"               | 3"                   | 4"                   | 5"                   | 6"                   | 8" |
|-------------|----------------------|----------------------|----------------------|----------------------|----------------------|----------------------|----------------------|----------------------|----------------------|----------------------|----------------------|----|
| 150         | 12<br>1/2<br>X 1 1/4 | 12<br>1/2<br>X 1 1/4 | 12<br>1/2<br>X 1 1/4 | 12<br>1/2<br>X 1 1/4 | 12<br>1/2<br>X 1 1/2 | 12<br>5/8<br>X 1 1/2 | 12<br>5/8<br>X 1 3/4 | 12<br>5/8<br>X 1 3/4 | 24<br>5/8<br>X 1 3/4 | 24<br>3/4<br>X2      | 24<br>3/4<br>X 2     |    |
| 300         | 12<br>1/2<br>X 1 1/4 | 12<br>5/8<br>X 1 1/4 | 12<br>5/8<br>X 1 1/2 | 12<br>5/8<br>X 1 1/2 | 12<br>3/4<br>X 1 3/4 | 12<br>5/8<br>X 1 3/4 | 24<br>3/4<br>X 2     | 24<br>3/4<br>X 2     | 24<br>3/4<br>X 2 1/4 | 24<br>3/4<br>X 2 1/4 | 36<br>3/4<br>X 2 1/2 |    |

Length of screws calculated considering a gasket with thickness of 2,5 mm.

