

ISO 9001 by L.R.
PED DIR. 2014/68/UE by L.R.
ATEX DIR. 2014/34/UE by B.V.
FIRE SAFE EXECUTION by L.R.
ISO 15848 by TÜV
ANTISTATIC DEVICE by L.R.
FIRE SAFE TESTED ISO 10497 by L.R.
EAC CERTIFICATION by B.V.

TYPE
FZ4
PN 10 ÷ 40
ANSI 150 ÷ 300*

NORME E DIRETTIVE APPLICATE DISPONIBILI AL SEGUENTE LINK:
STANDARD AND DIRECTIVE APPLIED AVAILABLE AT FOLLOWING LINK:
http://www.adlerspa.com/pdf/NORME_ADLER.pdf

VALVOLE A SFERA "3 VIE CORPO PIATTO" PASSAGGIO TOTALE 90°

CONSTRUCTION ACCORDING TO:
ANSI B16.34 - BS EN 12516-2

On request S.S. certified
MOCA
According to
1935/2004/EU

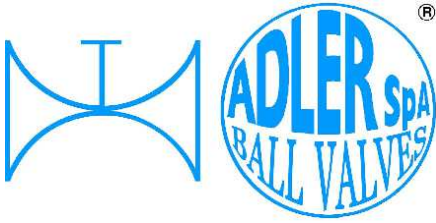
On request
FIRE SAFE
According to ISO 10497
"ISO-FT"

On request
S.I.L. 3
According to IEC 61508

FULL BORE ACCORDING
TO ISO 14313

BALL VALVES "3 WAY WAFER" FULL BORE 90°
ROBINETS A BOISSEAU SPHERIQUE
"3 VOIES WAFER"
PASSAGE INTEGRAL 90°
KUGELHÄHNE "3 WEGE KOMPAKTHAHN"
VOLLER DURCHGANG 90°

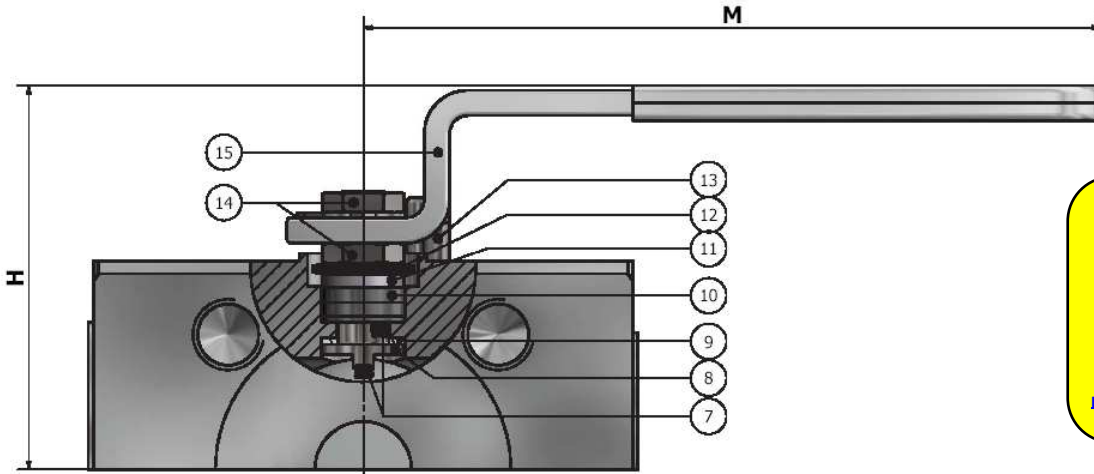
WEB SITE: WWW.ADLERSPA.COM



ISO 9001 by L.R.
 PED DIR. 2014/68/UE by L.R.
 ATEX DIR. 2014/34/UE by B.V.
 FIRE SAFE EXECUTION by L.R.
 ISO 15848 by TÜV
 ANTISTATIC DEVICE by L.R.
 FIRE SAFE TESTED ISO 10497 by L.R.
 EAC CERTIFICATION by B.V.

TYPE
FZ4
 PN 10 ÷ 40
 ANSI 150 ÷ 300*

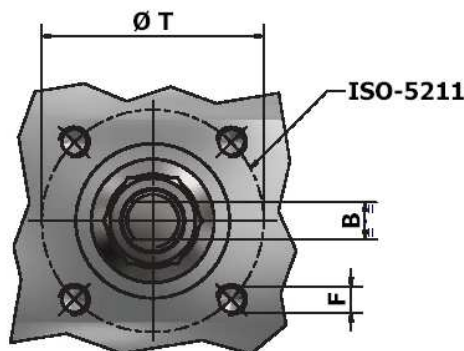
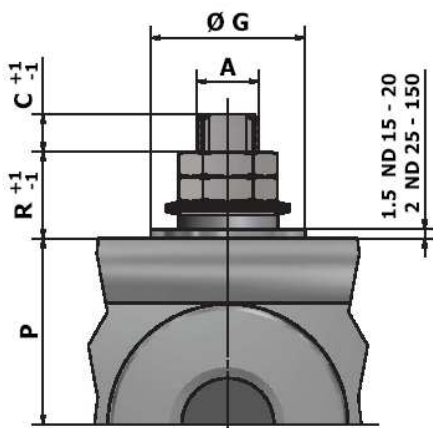
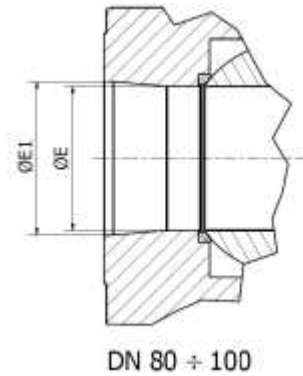
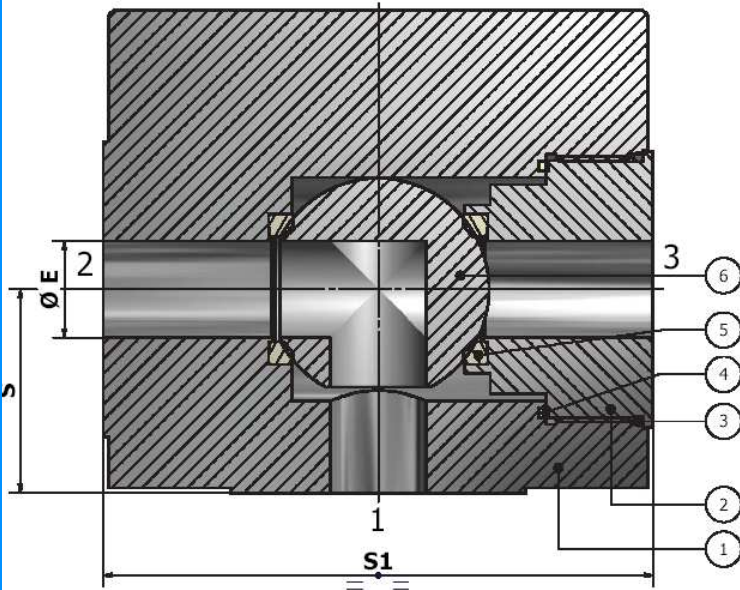
VALVOLA A SFERA "3 VIE CORPO PIATTO" PASSAGGIO TOTALE 90°
 BALL VALVES "3 WAY WAFER" FULL BORE 90°
 ROBINETS A BOISSEAU SPHERIQUE "3 VOIES WAFER" PASSAGE INTEGRAL 90°
 KUGELHÄHNE "3 WEGE KOMPAKTHAHN" VOLLER DURCHGANG 90°



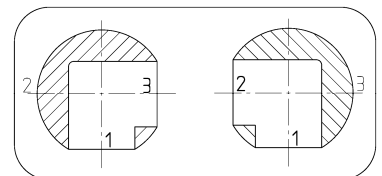
**VISUALIZZA 3D
 VIEW 3D**

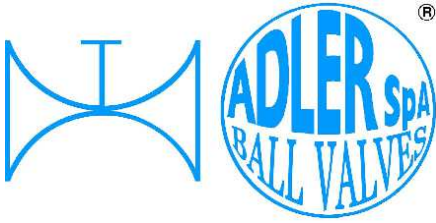
<https://adlerspa.com/prodotti/fz4>

Per montaggio con guarnizioni
 spirametalliche, contattare Adler Spa.
 For assembling with spiral-wound
 gaskets, contact Adler Spa



POSIZIONI OTTENIBILI
 OBTAINABLE POSITIONS
 POSITIONS OBTENABLES
 MÖGLICHE STELLUNGEN





ISO 9001 by L.R.
 PED DIR. 2014/68/UE by L.R.
 ATEX DIR. 2014/34/UE by B.V.
 FIRE SAFE EXECUTION by L.R.
 ISO 15848 by TÜV
 ANTISTATIC DEVICE by L.R.
 FIRE SAFE TESTED ISO 10497 by L.R.
 EAC CERTIFICATION by B.V.

TYPE
FZ4
 PN 10 ÷ 40
 ANSI 150 ÷ 300*

N.	DESCRIZIONE DESCRIPTION DESCRIPTION BESCHREIBUNG	MATERIALI MATERIALS MATERIAUX WERKSTOFFE
1	CORPO BODY CORPS MITTE	ASTM A105 ASTM A479 304/304L ASTM A479 316/316L
2	GHIERA INSERT EMBOUT GEWINDEDRUCKRING	ASTM A105 ASTM A479 304/304L ASTM A479 316/316L
3*	O-RING	FKM - (VITON)
4*	ANELLO SEAL ANNEAU DICHTUNGSRING	P.T.F.E.
5*	SEDE SEAT SIEGE SITZRING	P.T.F.E. R.P.T.F.E. (OPTIONAL)
6	SFERA BALL BOULE KUGEL	ASTM A479 304/304L ASTM A351 CF8 ASTM A479 316/316L ASTM A351 CF8M
7	DISPOSITIVO ANTISTATICO ANTISTATIC DEVICE CONTACT ANTISTATIQUE ANTISTATIK VORRICHTUNG	ASTM A479 316/316L
8	STELO STEM TIGE SPINDEL	ASTM A479 304/304L ASTM A479 316/316L

N.	DESCRIZIONE DESCRIPTION DESCRIPTION BESCHREIBUNG	MATERIALI MATERIALS MATERIAUX WERKSTOFFE
9*	BUSSOLA STEM SEAL JOINT TIGE UNTERE SPINDELABDICHTUNG	P.T.F.E.
10*	PACCO A "V" CHEVRON RINGS JOINT A "V" 3 FACHE DACHMANSCHETTE	P.T.F.E. / GRAFITE P.T.F.E. / GRAPHITE P.T.F.E. / GRAPHITE P.T.F.E. / GRAPHIT
11	PREMIUSSOLA PRESSING BUSH PRESSE RONDELLE STOPFBUCHSDRUCKRING	ASTM A479 304
12	MOLLE A TAZZA SPRING WASHERS RONDELLES BELLEVILLE TELLERFEDERN	C72/50Cr V4 ZINCATO - GALVANIZED - X10CrNi18.8 ZINGUE - VERZINKT ON REQUEST
13	VITE DI FERMO E FERMO PIN AND STOP PIN PLOINT ET PLOT D'ARRET ANSCHLAGBOLZEN	UNI3740 8.8 ZINCATO - GALVANIZED - UNI 3951 A2-70 ZINGUE - VERZINKT ON REQUEST
14	DADO - CONTRODADO NUT - LOCK NUT ECROU - CONTRE-ECROU MUTTER - KONTERMUTTER	UNI 3740 - 6S ZINCATO - GALVANIZED ASTM A479 304 ZINGUE - VERZINKT ON REQUEST
15	LEVA WRENCH LEVIER HANDHEBEL	AISI 1010 CHROMED FOR S.S. VALVES ASTM A479 304 PAINTED FOR C.S. VALVES ON REQUEST
16		

* RICAMBI CONSIGLIATI - RECOMMENDED SPARE PARTS - PIECES DE RECHANGE CONSEILLEES - ERSATZTEIL EMPFEHLUNG

◇ ONLY IN VALVES DN20, 25, 32, 40, 80, 100, 125, 150

ON REQUEST P.T.F.E. AVAILABLE CERTIFIED BAM, FDA, MOCA

DIMENSIONI - DIMENSION - DIMENSIONS - ABMESSUNGEN

DN	10	15	20	25	32	40	50	65	65	80	100	100	125	150	200
A		10	10	12	12	16	16	22	22	22	30	30	30	42	
B		6	6	8	8	10	10	14	14	14	18	18	18	28	
C		7	7	10	10	15	15	17	17	17	17	17	17	19	
ØE		15	19	25	30	38	51	64	64	76	98	98	115	150	
ØE1		-	-	-	-	-	-	-	-	-	101	101	118	152	
F		M5	M5	M5	M5	M6	M6	M8	M8	M8	M10	M10	M10	M12	
ISO		F03	F03	F03	F03	F05	F05	F07	F07	F07	F10	F10	F10	F12	
G		25	25	25	25	35	35	55	55	55	70	70	70	85	
H		70	75	90	95	112	122	147	147	149	174	174	183	256	
M		145	145	185	185	280	280	370	370	370	470	470	650	750	
P		36,6	41	46	51	57	67	85	85	87	99,5	107	113	144	
R		8	8	17	17	20	20	23	23	23	26	18	26	34	
S		32	40	41,5	52,5	56,5	62	70	81	87	96	106	116	153	
S1		97	108	115	140	150	165	185	206	216	230	262	290	350	
T		36	36	36	36	50	50	70	70	70	102	102	102	125	
~Kg		4	6,5	7,5	12	15,5	18	25,5	35	54	69	90	125	180	

- DATI E CARATTERISTICHE SOGGETTI A VARIAZIONI SENZA PREAVVISO
- SPECIFICATIONS SUBJECT TO MODIFICATIONS WITHOUT PRIOR NOTICE
- TOUS DROITS DE MODIFICATION RESERVES
- KONSTRUKTIONSÄNDERUNGEN VORBEHALTEN
- **ANSI 300 ON REQUEST**

PN 10 ÷ 16 - ANSI 150

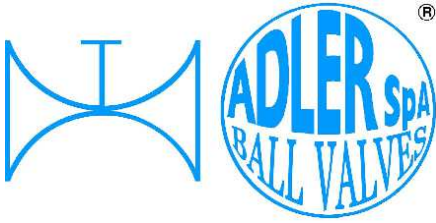
PN 25 ÷ 40

PN 10 ÷ 40

DN 100 ANSI 150 S=100,5 S1= 240



ADLER SpA - BALL VALVES
 20010 S. STEFANO TICINO (MI) ITALY V.le BORLETTI, 14 Tel. +39/02974842.11 FAX +39/0297271698
 E-mail: adler@adlerspa.com <http://www.adlerspa.com>



ISO 9001 by L.R.
 PED DIR. 2014/68/UE by L.R.
 ATEX DIR. 2014/34/UE by B.V.
 FIRE SAFE EXECUTION by L.R.
 ISO 15848 by TÜV
 ANTISTATIC DEVICE by L.R.
 FIRE SAFE TESTED ISO 10497 by L.R.
 EAC CERTIFICATION by B.V.

TYPE
FZ4
 PN 10 ÷ 40
 ANSI 150 ÷ 300*

• ESECUZIONI • EXECUTIONS • EXECUTIONS • AUSFÜHRUNGEN



EXECUTION 4- 12



EXECUTION 6 - 16

S STANDARD

O OPTIONAL

1 **S**

-MONTAGGIO VITI – SCREW ASSEMBLING
 -MONTAGE VIS – EINBAU MIT SCHRAUBEN

2 **S**

INDICATORE DI FLUSSO
 FLOW INDICATOR

3 **S**

DN 150

UNIONE CORPO LATERALE CON VITE
 BODY AND END ASSEMBLING WITH SCREW

Screw UNI 3740-8.8
 GALVANIZED

4 **S**

-STELO ANTI ESPULSIONE – ANTI BLOW OUT STEM
 -TIGE ANTIEXPULSION – AUSBLASGESICHERTE WELLE

-PACCO A "V" – CHEVRON RINGS
 -JOINT A "V" – 3 FACHE DACHMANSCHETE
 ANTISTATIC DEVICE ANTISTATIK VORRICHTUNG
 BS 5146

5 **S**

DN 150

BREVETTO - PATENTED
 00219619

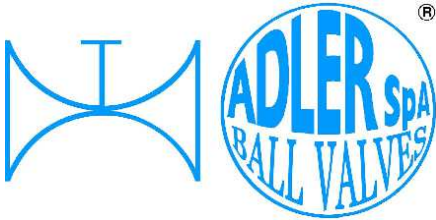
DOPPIA TENUTA – DOUBLE SEALS
 DOUBLE ETACHEITE
 DOPPELTE ABDICHTUNG

6 **O**

BREVETTO - PATENTED
 00219688 - 21-04-1993

FKM (VITON)

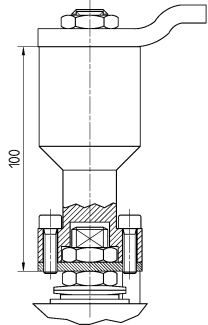
-“O” RING STELO “O” RING ON STEM
 -TIGE AVEC “O” RING
 -“O” RING IM SPINDELBEREICH



ISO 9001 by L.R.
 PED DIR. 2014/68/UE by L.R.
 ATEX DIR. 2014/34/UE by B.V.
 FIRE SAFE EXECUTION by L.R.
 ISO 15848 by TÜV
 ANTISTATIC DEVICE by L.R.
 FIRE SAFE TESTED ISO 10497 by L.R.
 EAC CERTIFICATION by B.V.

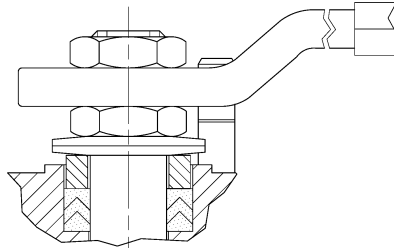
TYPE
FZ4
 PN 10 ÷ 40
 ANSI 150 ÷ 300*

7



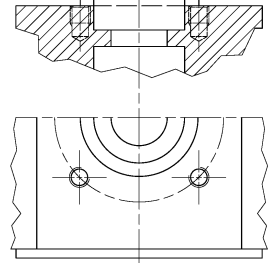
-PROLUNGA STELO -STEM EXTENSION
 -TIGE PROLONGEE -SPINDELVERLÄNGERUNG

8



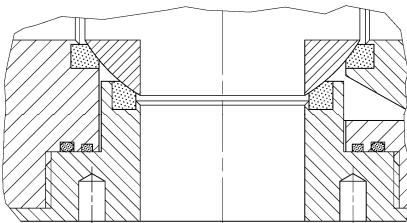
-PARTICOLARI INOX
 -STAINLESS STEEL DETAILS
 -ACCESSOIRES EN INOX
 -EDELSTAHLTEILE

9



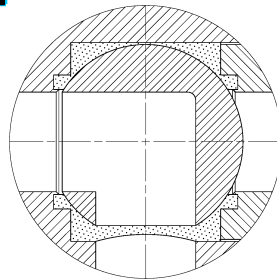
-ATTACCO "ISO" -"ISO" CONNECTIONS
 -SYSTEM "ISO" -ANSCHLUSS "ISO"

10



-SFERA CONTENUTA -CONTENTS BALL
 -BOULE CONTENUE
 -NICHT RAUSRAGENDE KUGEL

11



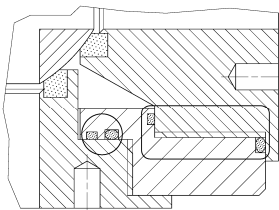
-TENUTE INTEGRALE -POCKETLESS SEATS
 -TENUE INTEGRALE -TOTRAUMARM
 -P.T.F.E. / R.T.F.E.

12

FIRE SAFE
 ISO 10497 "ISO-FT"
 (BS 6755 / API 607)



13

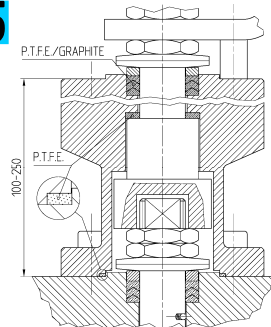


-DOPPIA TENUTA -DOUBLE SEALS
 -DOUBLE ETANCHEITE -DOPPELTE ABDICHTUNG
 -GHIERA A BATTUTA -METAL BEATING RING
 -EMBOUT AVEC BATTUE MECANIQUE
 -METALLISCHER ANSCHLAG DES
 GEWINDEDRUCKRINGS

ADLER COMPANY



15



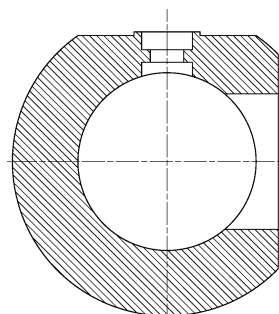
-SERVIZIO CRIOGENICO -CRYOGENIC SERVICE
 -SERVICE CRYOGENIQUE
 -TIEFTEMPERATUR SERVICE

16



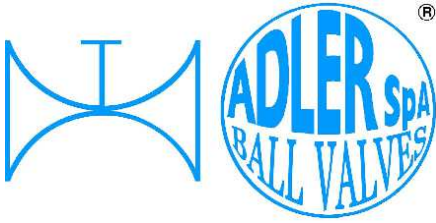
-FIRE SAFE ISO FT+ "O" RING STELO
 -FIRE SAFE ISO FT+ "O" RING ON STEM
 -SECURITE FEU ISO FT+ TIGE AVEC "O" RING
 -FEUERSICHERE AUSFÜHRUNG ISO FT +
 "O" RING IM SPINDELBEREICH

17



ADLER

UNA GAMMA COMPLETA
 PRIVILEGIANDO LA QUALITA'
 A COMPLETE RANGE PRIVILEGING
 THE QUALITY



ISO 9001 by L.R.
 PED DIR. 2014/68/UE by L.R.
 ATEX DIR. 2014/34/UE by B.V.
 FIRE SAFE EXECUTION by L.R.
 ISO 15848 by TÜV
 ANTISTATIC DEVICE by L.R.
 FIRE SAFE TESTED ISO 10497 by L.R.
 EAC CERTIFICATION by B.V.

TYPE
FZ4
 PN 10 ÷ 40
 ANSI 150 ÷ 300*

VITI D'ASSEMBLAGGIO PER FZ4 - ASSEMBLING SCREWS FOR FZ4 - VIS D'ASSEMBLAGE POUR FZ4- MONTAGESCHRAUBEN FÜR FZ4
 N° VITI - DIMENSIONE • N° SCREW - DIMENSIONS • N° VIS- DIMENSIONS • N° SCHRAUBEN - ABMESSUNGEN

EUROPEAN NORM

DN PN	15	20	25	32	40	50	65	80	100	125	150	200
16	12 M12 X30	12 M12 X30	12 M12 X30	12 M16 X35	12 M16 X35	12 M16 X40	12 M16 X40	24 M16 X40	24 M16 X40	24 M16 X45	24 M20 X45	
25	12 M12 X30	12 M12 X35	12 M12 X35	12 M16 X40	12 M16 X40	12 M16 X40	24 M16 X45	24 M16 X45	24 M20 X50	24 M24 X55	24 M24 X55	
40	12 M12 X30	12 M12 X35	12 M12 X35	12 M16 X40	12 M16 X40	12 M16 X40	24 M16 X45	24 M16 X45	24 M20 X50	24 M24 X55	24 M24 X55	

* N° 8 per UNI 2223/2229

ANSI METRIC

(STANDARD ADLER)

Ø Rating	1/2"	3/4"	1"	1 1/4"	1 1/2"	2"	2 1/2"	3"	4"	5"	6"	8"
150	12 M14 X30	12 M14 X30	12 M14 X30	12 M14 X35	12 M14 X35	12 M16 X40	12 M16 X40	12 M16 X45	24 M16 X45	24 M20 X50	24 M20 X50	
300	12 M14 X30	12 M16 X35	12 M16 X35	12 M16 X40	12 M20 X45	24 M16 X40	24 M20 X50	24 M20 X50	24 M20 X55	24 M20 X60	36 M20 X60	

ANSI B1.1 UNC

(ON REQUEST)

Ø Rating	1/2"	3/4"	1"	1 1/4"	1 1/2"	2"	2 1/2"	3"	4"	5"	6"	8"
150	12 1/2 X 1 1/4	12 1/2 X 1 1/4	12 1/2 X 1 1/4	12 1/2 X 1 1/4	12 1/2 X 1 1/2	12 5/8 X 1 1/2	12 5/8 X 1 3/4	12 5/8 X 1 3/4	24 5/8 X 1 3/4	24 3/4 X2	24 3/4 X2	
300	12 1/2 X 1 1/4	12 5/8 X 1 1/4	12 5/8 X 1 1/2	12 5/8 X 1 1/2	12 3/4 X 1 3/4	12 5/8 X 1 3/4	24 3/4 X2	24 3/4 X2	24 3/4 X 2 1/4	24 3/4 X 2 1/4	36 3/4 X 2 1/2	

Length of screws calculated considering a gasket with thickness of 2,5 mm.

