

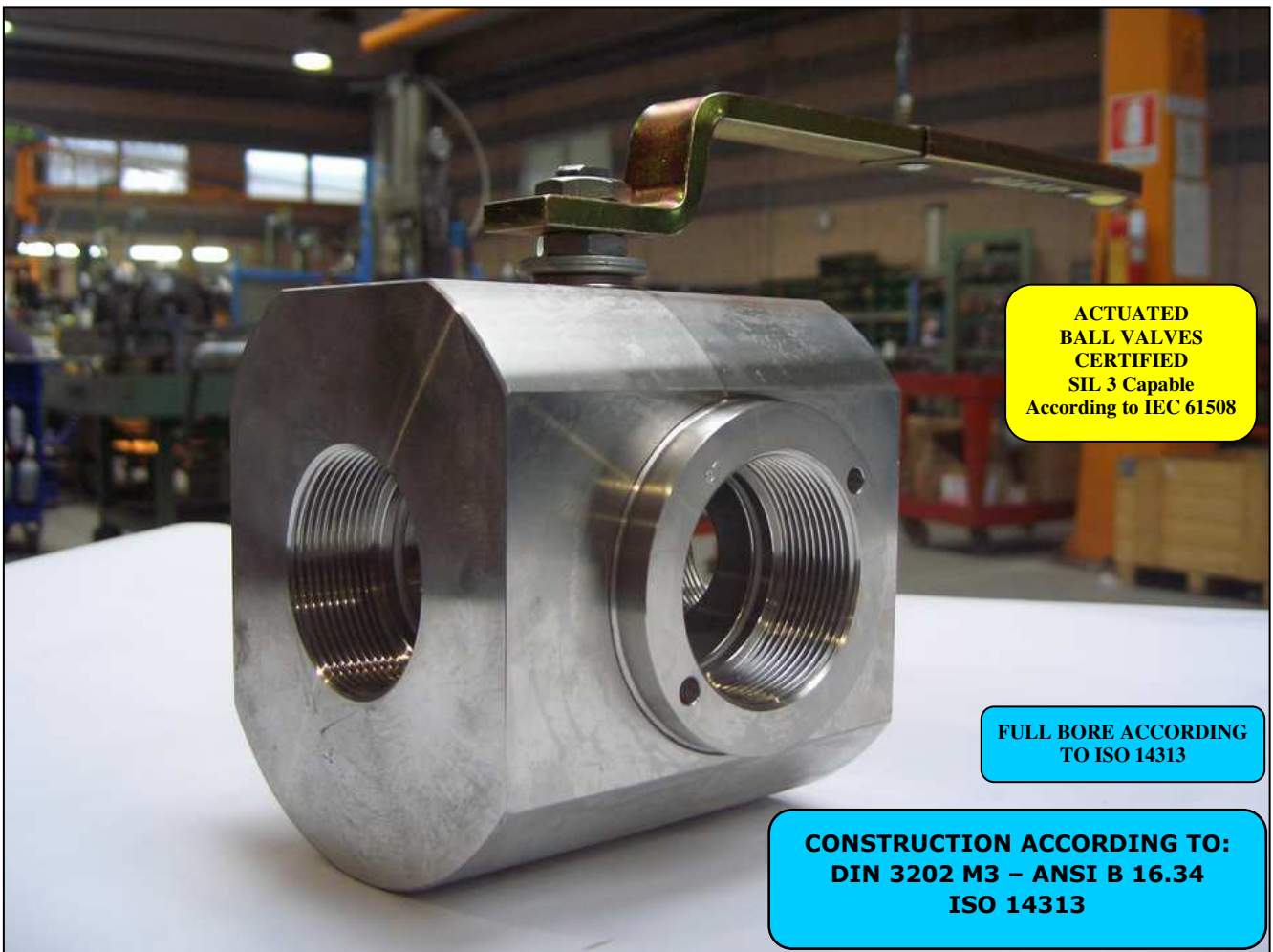


ISO 9001 by L.R.
PED DIR. 2014/68/UE by L.R.
ATEX DIR. 2014/34/UE by B.V.
FIRE SAFE EXECUTION BS6755/API 607 by L.R.
FIRE SAFE TESTED ISO 10497 by L.R.
ISO 15848 by TÜV
ANTISTATIC DEVICE by L.R.
EAC CERTIFICATION by B.V.

TYPE
FZ6
PN 25 ÷ 63

NORME E DIRETTIVE APPLICATE DISPONIBILI AL SEGUENTE LINK:
STANDARD AND DIRECTIVE APPLIED AVAILABLE AT FOLLOWING LINK:
http://www.adlerspa.com/pdf/NORME_ADLER.pdf

VALVOLE A SFERA "3 VIE" PASSAGGIO TOTALE 90°



ACTUATED
BALL VALVES
CERTIFIED
SIL 3 Capable
According to IEC 61508

FULL BORE ACCORDING
TO ISO 14313

CONSTRUCTION ACCORDING TO:
DIN 3202 M3 - ANSI B 16.34
ISO 14313

BALL VALVES "3 WAY" FULL BORE 90°
ROBINETS A BOISSEAU SPHERIQUE
"3 VOIES" PASSAGE INTEGRAL 90°
KUGELHÄHNE "3 WEGE"
VOLLER DURCHGANG 90°

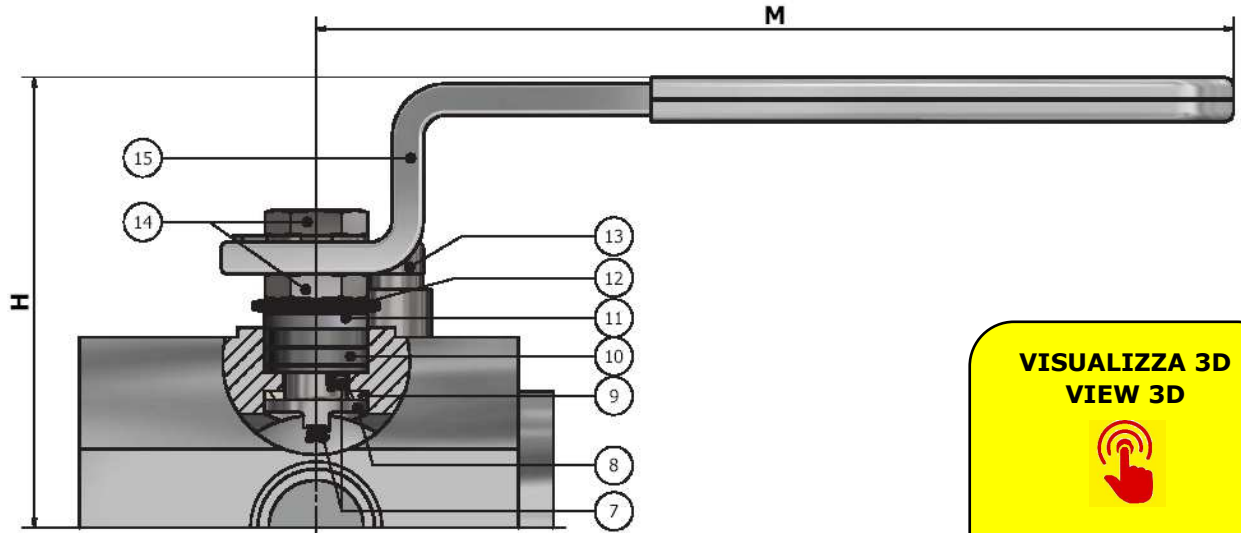
WEB SITE: WWW.ADLERSPA.COM



ISO 9001 by L.R.
 PED DIR. 2014/68/UE by L.R.
 ATEX DIR. 2014/34/UE by B.V.
 FIRE SAFE EXECUTION BS6755/API 607 by L.R.
 FIRE SAFE TESTED ISO 10497 by L.R.
 ISO 15848 by TÜV
 ANTISTATIC DEVICE by L.R.
 EAC CERTIFICATION by B.V.

TYPE
FZ6
 PN 25 ÷ 63

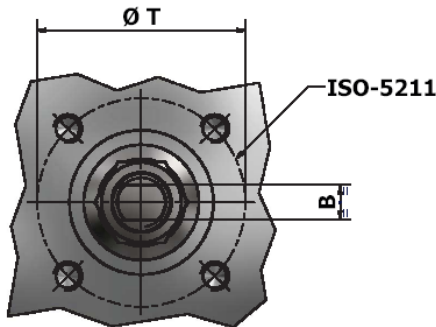
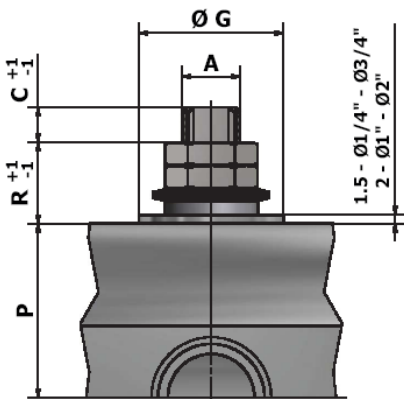
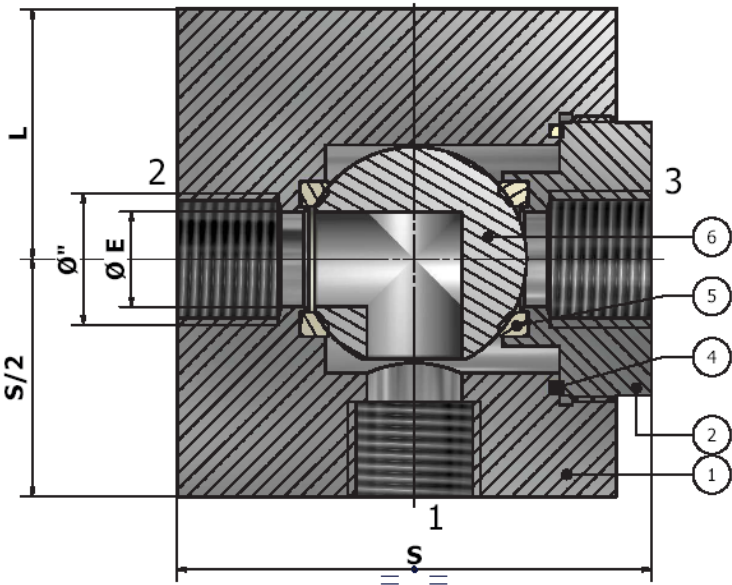
VALVOLA A SFERA "3 VIE" PASSAGGIO TOTALE 90°
BALL VALVES "3 WAY" FULL BORE 90°
ROBINETS A BOISSEAU SPHERIQUE "3 VOIES" PASSAGE INTEGRAL 90°
KUGELHÄHNE "3 WEGE" VOLLER DURCHGANG 90°



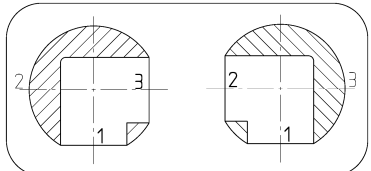
**VISUALIZZA 3D
 VIEW 3D**

<https://adlerspa.com/prodotti/fz6>

VIA N° 1 SEMPRE APERTA
 WAY N° 1 ALWAYS OPEN



POSIZIONI OTTENIBILI
 OBTAINABLE POSITIONS
 POSITIONS OBTENABLES
 MÖGLICHE STELLUNGEN





ISO 9001 by L.R.
 PED DIR. 2014/68/UE by L.R.
 ATEX DIR. 2014/34/UE by B.V.
 FIRE SAFE EXECUTION BS6755/API 607 by L.R.
 FIRE SAFE TESTED ISO 10497 by L.R.
 ISO 15848 by TÜV
 ANTISTATIC DEVICE by L.R.
 EAC CERTIFICATION by B.V.

TYPE
FZ6
 PN 25 ÷ 63

N.	DESCRIZIONE DESCRIPTION DESCRIPTION BESCHREIBUNG	MATERIALI MATERIALS MATERIAUX WERKSTOFFE
1	CORPO BODY CORPS MITTE	ASTM A105 ASTM A479 304/304L ASTM A479 316/316L
2	GHIERA INSERT EMBOUT GEWINDEDRUCKRING	ASTM A105 ASTM A479 304/304L ASTM A479 316/316L
3*	O-RING	FKM - (VITON)
4*	ANELLO SEAL ANNEAU DICHTUNGSRING	P.T.F.E.
5*	SEDE SEAT SIEGE SITZRING	P.T.F.E. R.P.T.F.E. (OPTIONAL)
6	SFERA BALL BOULE KUGEL	ASTM A479 304/304L ASTM A351 CF8 ASTM A479 316/316L ASTM A351 CF8M
7	DISPOSITIVO ANTISTATICO ANTISTATIC DEVICE CONTACT ANTISTATIQUE ANTISTATIK VORRICHTUNG	ASTM A479 316/316L
8	STELO STEM TIGE SPINDEL	ASTM A479 304/304L ASTM A479 316/316L

N.	DESCRIZIONE DESCRIPTION DESCRIPTION BESCHREIBUNG	MATERIALI MATERIALS MATERIAUX WERKSTOFFE
9*	BUSSOLA STEM SEAL JOINT TIGE UNTERE SPINDELABDICHTUNG	P.T.F.E.
10*	PACCO A "V" CHEVRON RINGS JOINT A "V" 3 FACHE DACHMANSCHETTE	P.T.F.E. / GRAFITE P.T.F.E. / GRAPHITE P.T.F.E. / GRAPHITE P.T.F.E. / GRAPHIT
11	PREMIBUSSOLA PRESSING BUSH PRESSE RONDELLE STOPFBUCHSDRUCKRING	ASTM A479 304
12	MOLLE A TAZZA SPRING WASHERS RONDELLES BELLEVILLE TELLERFEDERN	C72/50Cr V4 X10CrNi18.8 ZINCATO - GALVANIZED - ZINGUE - VERZINKT ON REQUEST
13	VITE DI FERMO E FERMO PIN AND STOP PIN PLOINT ET PLOT D'ARRET ANSCHLAGBOLZEN	UNI3740 8.8 UNI 3951 A2-70 ZINCATO - GALVANIZED - ZINGUE - VERZINKT ON REQUEST
14	DADO - CONTRODADO NUT - LOCK NUT ECROU - CONTRE-ECROU MUTTER - KONTERMUTTER	UNI 3740 - 6S ASTM A479 304 ZINCATO - GALVANIZED ZINGUE - VERZINKT ON REQUEST
15	LEVA WRENCH LEVIER HANDHEBEL	AISI 1010 ASTM A479 304 GALVANIZED AND PAINTED FOR S.S. VALVES PAINTED FOR C.S. VALVES ON REQUEST
16		

* RICAMBI CONSIGLIATI - RECOMMENDED SPARE PARTS - PIECES DE RECHANGE CONSEILLEES - ERSATZTEIL EMPFEHLUNG

ON REQUEST P.T.F.E. AVAILABLE CERTIFIED BAM, FDA, MOCA

DIMENSIONI - DIMENSION - DIMENSIONS - ABMESSUNGEN

Ø"	1/4"	3/8"	1/2"	3/4"	1"	1 1/4"	1 1/2"	2"	2 1/2"	3"	4"	5"	6"	8"
A	8	8	10	10	12	12	16	16						
B	5	5	6	6	8	8	10	10						
C	6	6	7	7	10	10	15	15						
ØE	10	10	15	19	25	30	38	51						
F	M5	M5	M5	M5	M5	M5	M6	M6						
ISO	F03	F03	F03	F03	F03	F03	F05	F05						
G	25	25	25	25	25	25	35	35						
H	50	50	70	74	90	97	113	123						
L	32	32	39,5	42	49,5	59,5	64,5	77						
M	120	120	145	145	185	185	280	280						
P	21,5	21,5	30	34,5	46	51	57	67						
R	12	12	14	14	17	17	20	20						
S	60	60	75	80	90	110	120	140						
T	36	36	36	36	36	36	50	50						
PN	63	63	63	40	40	40	25	25						
~Kg	1,5	1,5	2,3	3,1	4,4	6,2	9,5	15						

- DATI E CARATTERISTICHE SOGGETTI A VARIAZIONI SENZA PREAVVISO
- SPECIFICATIONS SUBJECT TO MODIFICATIONS WITHOUT PRIOR NOTICE
- TOUS DROITS DE MODIFICATION RESERVES
- KONSTRUKTIONÄNDERUNGEN VORBEHALTEN



ADLER SpA - BALL VALVES
 20010 S. STEFANO TICINO (MI) ITALY V.le BORLETTI, 14 Tel. +39/02974842.11 FAX +39/0297271698
 E-mail: adler@adlerspa.com <http://www.adlerspa.com>

SEAT IN R.P.T.F.E.



ISO 9001 by L.R.
 PED DIR. 2014/68/UE by L.R.
 ATEX DIR. 2014/34/UE by B.V.
 FIRE SAFE EXECUTION BS6755/API 607 by L.R.
 FIRE SAFE TESTED ISO 10497 by L.R.
 ISO 15848 by TÜV
 ANTISTATIC DEVICE by L.R.
 EAC CERTIFICATION by B.V.

TYPE
FZ6
 PN 25 ÷ 63

• ESECUZIONI • EXECUTIONS • EXECUTIONS • AUSFÜHRUNGEN



EXECUTION 4- 12



EXECUTION 6 - 16

S STANDARD

O OPTIONAL

1 CYLINDRICAL THREAD **S**

EN 10226-1 (ex ISO 7-1 Rp)

2 INDICATORE DI FLUSSO
 FLOW INDICATOR **S**



4 **S**

-STELO ANTI ESPULSIONE -ANTI BLOW OUT STEM
 -TIGE ANTIEXPULSION -AUSBLASGESICHERTE WELLE

-PACCO A "V" -CHEVRON RINGS
 -JOINT A "V" -3 FACHE DACHMANSCHETE
 ANTISTATIC DEVICE ANTISTATIK VORRICHTUNG
 BS 5146

5 **O**

DN ¼" ÷ 1 ¼"

103 (DN 10 - 20)
 145 (DN 25 - 32)

69 (DN 10 - 20)
 79 (DN 25 - 32)

57

-MANIGLIA OVALE - OVAL HANDLE
 -LEVIER OVAL -HANDHEBEL IN OVALFORM

6 **O**

BREVETTO - PATENTED
 00219688 - 21-04-1993

FKM (VITON)

From Ø ½" to 2"

-"O" RING STELO "O" RING ON STEM
 -TIGE AVEC "O" RING
 -"O" RING IM SPINDELBEREICH



ISO 9001 by L.R.
 PED DIR. 2014/68/UE by L.R.
 ATEX DIR. 2014/34/UE by B.V.
 FIRE SAFE EXECUTION BS6755/API 607 by L.R.
 FIRE SAFE TESTED ISO 10497 by L.R.
 ISO 15848 by TÜV
 ANTISTATIC DEVICE by L.R.
 EAC CERTIFICATION by B.V.

TYPE
FZ6
 PN 25 ÷ 63

7 **O**

-PROLUNGA STELO -STEM EXTENSION
 -TIGE PROLONGEE -SPINDELVERLÄNGERUNG

8 **O**

-PARTICOLARI INOX
 -STAINLESS STEEL DETAILS
 -ACCESSOIRES EN INOX
 -EDELSTAHLTEILE

9 **S**

-ATTACCO "ISO" -"ISO" CONNECTIONS
 -SYSTEM "ISO" -ANSCHLUSS "ISO"

10 **S**

-SFERA CONTENUTA -CONTENTS BALL
 -BOULE CONTENUE
 -NICHT RAUSRAGENDE KUGEL

11 **O**

-TENUTE INTEGRALE -POCKETLESS SEATS
 -TENUE INTEGRALE -TOTRAUMARM
 -P.T.F.E. / R.T.F.E.

12 **O**

FIRE SAFE
 ISO 10497 "ISO-FT"
 (BS 6755 / API 607)

13 **S**

-ANELLO CONTENUTO -CONTAINED SEAL
 -ANNEAU CONTENU -DICHRING GEKAMMERT
 -GHIERA A BATTUTA -METAL BEATING RING
 -EMBOUT AVEC BATTUE MECANIQUE
 -METALLISCHER ANSCHLAG DES
 GEWINDEDRUCKRINGS

AQUILA - EAGLE - AIGLE
 ADLER

15 **O**

P.T.F.E./GRAPHITE
 P.T.F.E.
 100-250

-SERVIZIO CRIOGENICO - CRYOGENIC SERVICE
 -SERVICE CRYOGENIQUE
 -TIEFTEMPERATUR SERVICE

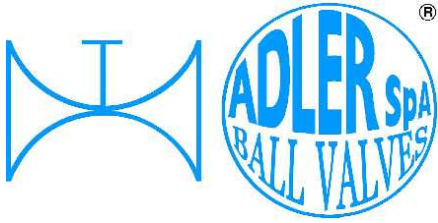
CERTIFY ISO 9001

17 **S**

ADLER

UNA GAMMA COMPLETA
 PRIVILEGIANDO LA QUALITA'

A COMPLETE RANGE PRIVILEGING
 THE QUALITY

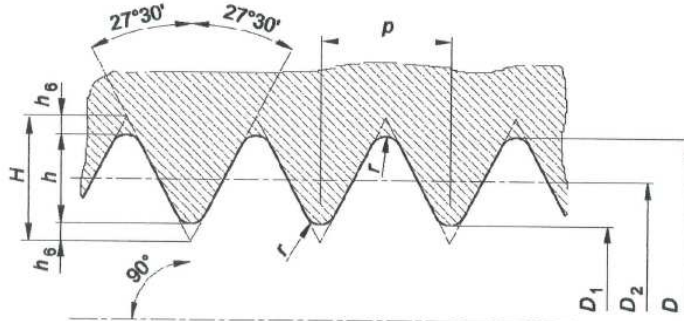


ISO 9001 by L.R.
 PED DIR. 2014/68/UE by L.R.
 ATEX DIR. 2014/34/UE by B.V.
 FIRE SAFE EXECUTION BS6755/API 607 by L.R.
 FIRE SAFE TESTED ISO 10497 by L.R.
 ISO 15848 by TÜV
 ANTISTATIC DEVICE by L.R.
 EAC CERTIFICATION by B.V.

TYPE
FZ6
 PN 25 ÷ 63

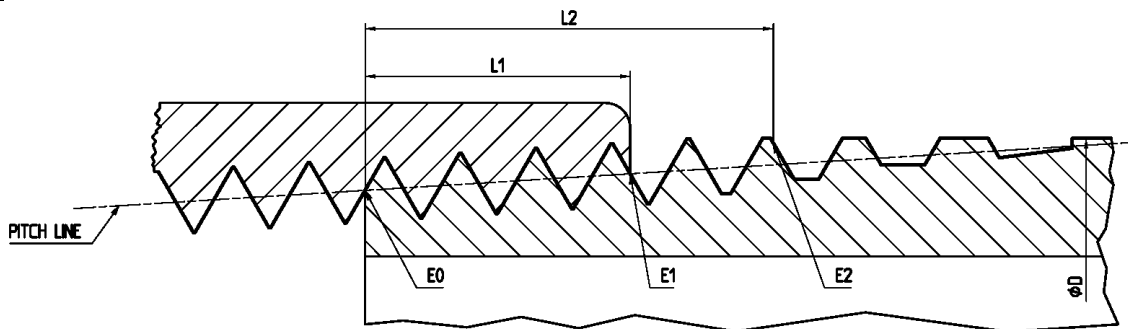
CARATTERISTICHE DEL FILETTO - THREAD FEATURES - FILETAGE CARACTÉRISTIQUES - GEWINDE KENNDATEN

IN ACCORDANCE TO
 EN 10226-1 (ex ISO 7-1 Rp)



1	2	3	4	Diameters of gauges plane			Gauges length (external threads)					Tolerance on position of gauge plan on internal thread		Length of useful external thread not less than			Assembly length		20
				Major d	Pitch d ₂	Minor d ₁	Nominal	Tolerance ±t/2		Max.	Min.	Tolerance ±t/2		For nominal gauge length	For maximum gauge length	For minimum gauge length	2)	Turns of thread	
								Turns of thread	Turns of thread										
1/4	19	1,337	0,856	13,16	12,30	11,45	6	1,3	1	7,3	4,7	1,7	1 1/4	9,7	11	8,4	3,7	2 3/4	±0,104
3/8	19	1,337	0,856	16,66	15,81	14,95	6,4	1,3	1	7,7	5,1	1,7	1 1/4	10,1	11,4	8,8	3,7	2 3/4	±0,104
1/2	14	1,814	1,162	20,96	19,79	18,63	8,2	1,8	1	10	6,4	2,3	1 1/4	13,2	15	11,4	5	2 3/4	±0,142
3/4	14	1,814	1,162	26,44	25,28	24,12	9,5	1,8	1	11,3	7,7	2,3	1 1/4	14,5	16,3	12,7	5	2 3/4	±0,142
1	11	2,309	1,479	33,25	31,77	30,29	10,4	2,3	1	12,7	8,1	2,9	1 1/4	16,8	19,1	14,5	6,4	2 3/4	±0,180
1 1/4	11	2,309	1,479	41,91	40,43	38,95	12,7	2,3	1	15	10,4	2,9	1 1/4	19,1	21,4	16,8	6,4	2 3/4	±0,180
1 1/2	11	2,309	1,479	47,80	46,32	44,85	12,7	2,3	1	15	10,4	2,9	1 1/4	19,1	21,4	16,8	6,4	2 3/4	±0,180
2	11	2,309	1,479	59,61	58,14	56,63	15,9	2,3	1	18,2	13,6	2,9	1 1/4	23,4	25,7	21,1	7,5	3 1/4	±0,180

IN ACCORDANCE TO
 ANSI B1.20.1 - 1983



1	2	3	4	5	Handtight engagement			Effective thread, external		
					Length ² (L ₁)		Diam. ³ (E ₁)	Length ⁴ (L ₂)		Diam. ⁵ (E ₂)
					inch	threads		inch	threads	
1/4	0,540	18	0,05556	0,47739	0,2278	4,1	0,49163	0,4018	723	0,50250
3/8	0,675	18	0,05556	0,61201	0,240	4,32	0,32701	0,4078	734	0,63750
1/2	0,840	14	0,07143	0,75843	0,320	4,48	0,77843	0,5337	747	0,79179
3/4	1,050	14	0,07143	0,96768	0,339	4,75	0,98887	0,5457	764	1,00179
1	1,315	11,5	0,0896	1,21363	0,400	4,6	1,23863	0,6828	785	1,25630
1 1/4	1,660	11,5	0,0896	1,55713	0,420	4,83	1,58338	0,7068	813	1,60130
1 1/2	1,900	11,5	0,0896	1,79609	0,420	4,83	1,82237	0,7235	832	1,84130
2	2,375	11,5	0,0896	2,26902	0,436	5,01	2,29627	0,7565	870	2,31630