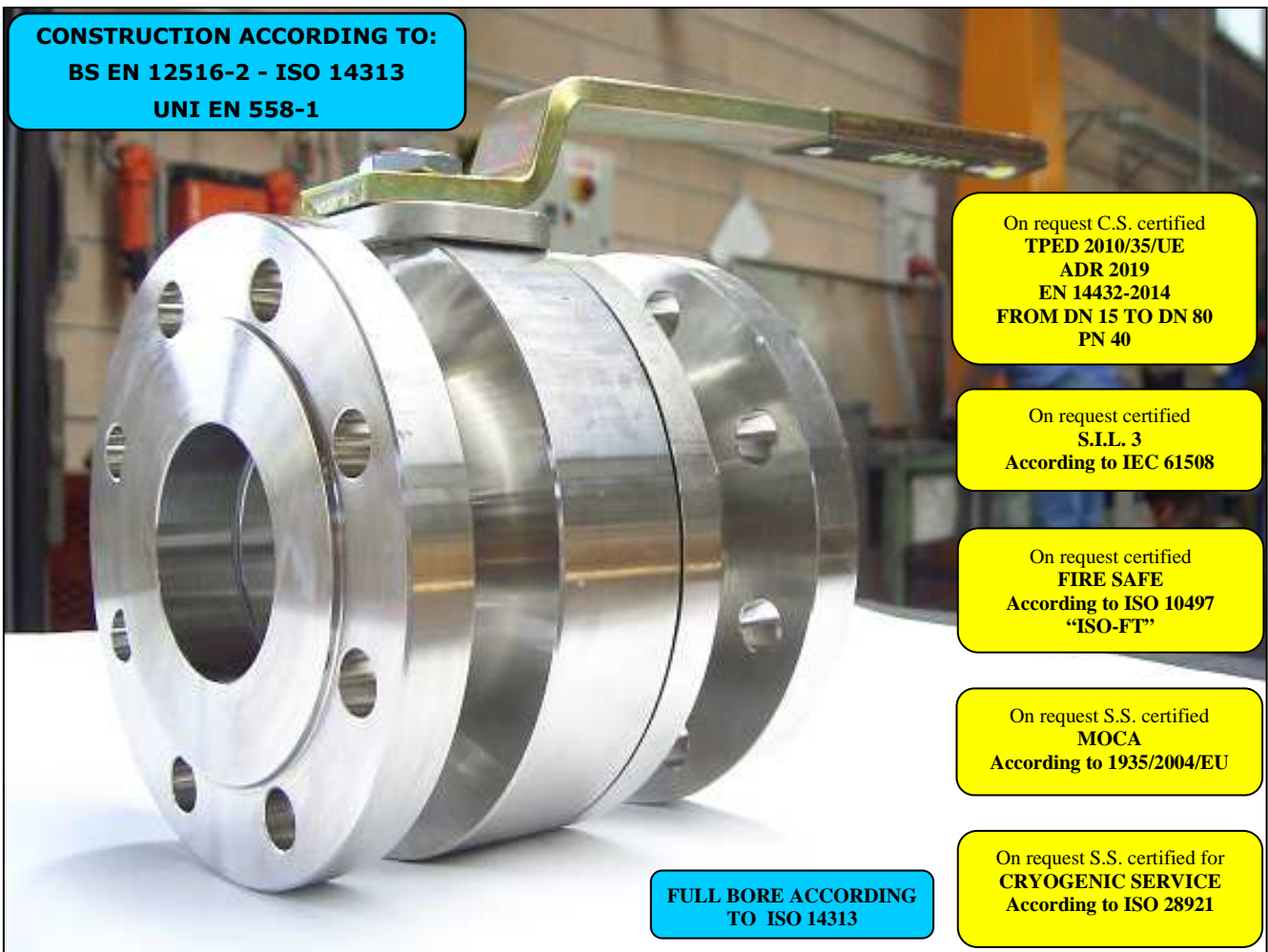


ISO 9001 by L.R.
PED DIR. 2014/68/UE by L.R.
ATEX DIR. 2014/34/UE by B.V.
FIRE SAFE EXECUTION by L.R.
ISO 15848 by TÜV
ANTISTATIC DEVICE by L.R.
FIRE SAFE TESTED ISO 10497 by L.R.
EAC CERTIFICATION by B.V

TYPE
VM2
PN 10 ÷ 40

NORME E DIRETTIVE APPLICATE DISPONIBILI AL SEGUENTE LINK:
STANDARD AND DIRECTIVE APPLIED AVAILABLE AT FOLLOWING LINK:
http://www.adlerspa.com/pdf/NORME_ADLER.pdf

VALVOLE A SFERA "UNI EN 558-1" PASSAGGIO VENTURI



CONSTRUCTION ACCORDING TO:
BS EN 12516-2 - ISO 14313
UNI EN 558-1

On request C.S. certified
TPED 2010/35/UE
ADR 2019
EN 14432-2014
FROM DN 15 TO DN 80
PN 40

On request certified
S.I.L. 3
According to IEC 61508

On request certified
FIRE SAFE
According to ISO 10497
"ISO-FT"

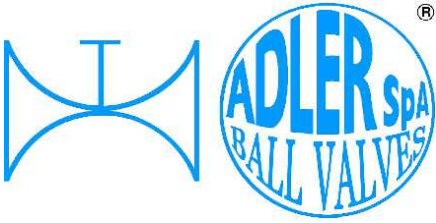
On request S.S. certified
MOCA
According to 1935/2004/EU

On request S.S. certified for
CRYOGENIC SERVICE
According to ISO 28921

FULL BORE ACCORDING
TO ISO 14313

BALL VALVES
"UNI EN 558-1" VENTURI PORT
ROBINETS A BOISSEAU SPHERIQUE
"UNI EN 558-1" PASSAGE VENTURI
FLANSCHKUGELHÄHNE IN "UNI EN 558-1"
REDUZIERTER DURCHGANG

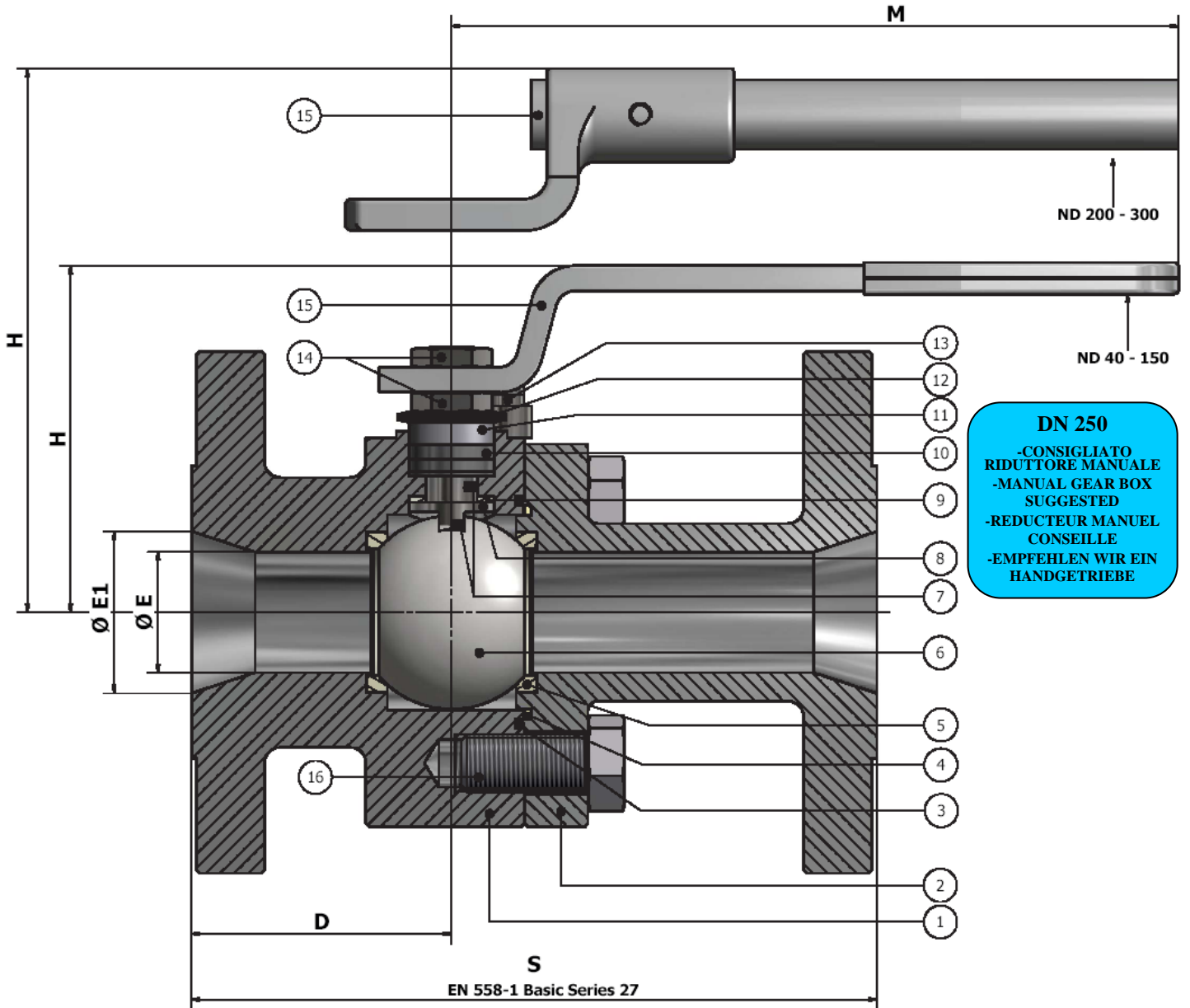
WEB SITE: WWW.ADLERSPA.COM



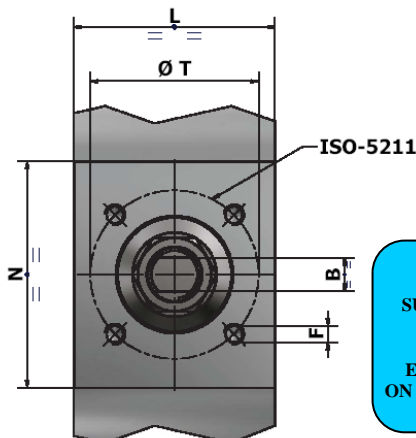
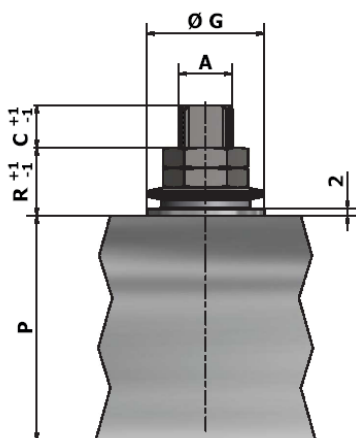
ISO 9001 by L.R.
 PED DIR. 2014/68/UE by L.R.
 ATEX DIR. 2014/34/UE by B.V.
 FIRE SAFE EXECUTION by L.R.
 ISO 15848 by TÜV
 ANTISTATIC DEVICE by L.R.
 FIRE SAFE TESTED ISO 10497 by L.R.
 EAC CERTIFICATION by B.V

TYPE
VM2
 PN 10 ÷ 40

VALVOLA A SFERA " UNI EN 558-1" PASSAGGIO VENTURI
 BALL VALVES " UNI EN 558-1" VENTURI PORT
 ROBINETS A BOISSEAU SPHERIQUE " UNI EN 558-1" PASSAGE VENTURI
 FLANSCHKUGELHÄHNE IN " UNI EN 558-1" REDUZIERTER DURCHGANG



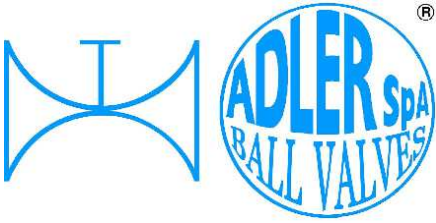
DN 250
 -CONSIGLIATO
 RIDUTTORE MANUALE
 -MANUAL GEAR BOX
 SUGGESTED
 -REDUCTEUR MANUEL
 CONSEILLE
 -EMPFEHLEN WIR EIN
 HANDGETRIEBE



DN 65 PN 16 ESECUZIONE
 STANDARD CON 4 FORI
 SU RICHIESTA DISPONIBILE
 CON 8 FORI
 DN 65 PN 16 STANDARD
 EXECUTION WITH 4 HOLES
 ON REQUEST AVAILABLE WITH
 8 HOLES

**VISUALIZZA 3D
 VIEW 3D**

<https://adlerspa.com/prodotti/vm2>



ISO 9001 by L.R.
 PED DIR. 2014/68/UE by L.R.
 ATEX DIR. 2014/34/UE by B.V.
 FIRE SAFE EXECUTION by L.R.
 ISO 15848 by TÜV
 ANTISTATIC DEVICE by L.R.
 FIRE SAFE TESTED ISO 10497 by L.R.
 EAC CERTIFICATION by B.V

TYPE
VM2
 PN 10 ÷ 40

| N. | DESCRIZIONE DESCRIPTION BESCHREIBUNG | MATERIALI MATERIALS MATERIAUX WERKSTOFFE |
|----|--|---|
| 1 | CORPO BODY CORPS MITTE | ASTM A105 ASTM A479 304/304L ASTM A479 316/316L ASTM A 351 CF8M |
| 2 | LATERALE END LATERAL ENDE | ASTM A105 ASTM A479 304/304L ASTM A479 316/316L ASTM A 351 CF8M |
| 3* | O-RING | FKM - (VITON) |
| 4* | ANELLO SEAL ANNEAU DICHTUNGSRING | P.T.F.E. |
| 5* | SEDE SEAT SIEGE SITZRING | P.T.F.E. R.P.T.F.E. (OPTIONAL) |
| 6 | SFERA BALL BOULE KUGEL | ASTM A479 304/304L ASTM A351 CF8 ASTM A479 316/316L ASTM A351 CF8M |
| 7 | DISPOSITIVO ANTISTATICO ANTISTATIC DEVICE CONTACT ANTISTATIQUE ANTISTATIK VORRICHTUNG | ASTM A479 316/316L |
| 8 | STELO STEM TIGE SPINDEL | ASTM A479 304/304L ASTM A479 316/316L |

| N. | DESCRIZIONE DESCRIPTION BESCHREIBUNG | MATERIALI MATERIALS MATERIAUX WERKSTOFFE |
|-----|--|---|
| 9* | BUSSOLA STEM SEAL JOINT TIGE UNTERE SPINDELABDICHTUNG | P.T.F.E. |
| 10* | PACCO A "V" CHEVRON RINGS JOINT A "V" 3 FACHE DACHMANSCHETTE | P.T.F.E. / GRAFITE P.T.F.E. / GRAPHITE P.T.F.E. / GRAPHITE P.T.F.E. / GRAPHIT |
| 11 | PREMIBUSSOLA PRESSING BUSH PRESSE RONDELLE STOPFBUCHSDRUCKRING | ASTM A479 304 |
| 12 | MOLLE A TAZZA SPRING WASHERS RONDELLES BELLEVILLE TELLERFEDERN | C72/50Cr V4 ZINCATO - GALVANIZED - ZINGUE - VERZINKT X10CrNi18.8 ON REQUEST |
| 13 | VITE DI FERMO E FERMO PIN AND STOP PIN PLONT ET PLOT D'ARRET ANSCHLAGBOLZEN | UNI3740 8.8 ZINCATO - GALVANIZED - ZINGUE - VERZINKT UNI 3951 A2-70 ON REQUEST |
| 14 | DADO - CONTRODADO NUT - LOCK NUT ECROU - CONTRE-ECROU MUTTER - KONTERMUTTER | UNI 3740 - ZINCATO - GALVANIZED 6S ZINGUE - VERZINKT ASTM A479 ON REQUEST 304 |
| 15 | LEVA WRENCH LEVIER HANDHEBEL | AISI 1010 CHROMED FOR S.S. VALVES PAINTED FOR C.S. VALVES ASTM A479 ON REQUEST 304 |
| 16 | VITE SCREW VIS SCHRAUBE | UNI 3740 8.8 ZINCATO - GALVANIZED - ZINGUE - VERZINKT UNI 3951 ON REQUEST A2-70 |

* RICAMBI CONSIGLIATI - RECOMMENDED SPARE PARTS - PIECES DE RECHANGE CONSEILLEES - ERSATZTEIL EMPFEHLUNG

ON REQUEST P.T.F.E. AVAILABLE CERTIFIED BAM, FDA, MOCA

DIMENSIONI - DIMENSION - DIMENSIONS - ABMESSUNGEN

| DN | 15 | 20 | 25 | 32 | 40 | 50 | 65 | 80 | 100 | 125 | 150 | 150 | 200 | 250 | 300 |
|-----|---|----|----|----|------|------|------|------|------|-----|------|-------|-----|-------|-----|
| A | | | | | 12 | 16 | 16 | 22 | 22 | | 30 | 30 | 42 | 48 | |
| B | | | | | 8 | 10 | 10 | 14 | 14 | | 18 | 18 | 28 | 32 | |
| C | | | | | 10 | 10 | 10 | 12 | 12 | | 17 | 17 | 19 | 20 | |
| D | | | | | 55 | 61 | 65 | 74 | 77,5 | | 119 | 109 | 122 | 149 | |
| E | | | | | 30 | 38 | 51 | 64 | 76 | | 101 | 118 | 152 | 187 | |
| F | | | | | M5 | M6 | M6 | M8 | M8 | | M8 | M10 | M12 | M16 | |
| ISO | | | | | F03 | F05 | F05 | F07 | F07 | | F07 | F10 | F12 | F14 | |
| G | VEDERE TYPE SEE VOIR FM2 SIEHE PN 10 ÷ 40 | | | | 25 | 35 | 35 | 55 | 55 | | 55 | 70 | 85 | 100 | |
| H | | | | | 119 | 110 | 120 | 144 | 152 | | 174 | 188 | 256 | 284 | |
| L | | | | | 34 | 45 | 45 | 61,5 | 62 | | 80 | 104,5 | 112 | 146 | |
| M | | | | | 185 | 280 | 280 | 370 | 370 | | 470 | 650 | 750 | 900 | |
| N | | | | | 55 | 60 | 62 | 74 | 73 | | 81 | 107 | 112 | 147 | |
| P | | | | | 46,5 | 55 | 65 | 82 | 90,5 | | 99,5 | 113 | 144 | 172,5 | |
| R | | | | | 17 | 20 | 20 | 23 | 23 | | 26 | 26 | 34 | 37 | |
| S | | | | | 140 | 150 | 170 | 180 | 190 | | 350 | 350 | 400 | 450 | |
| T | | | | | 36 | 50 | 50 | 70 | 70 | | 70 | 102 | 125 | 140 | |
| ~Kg | | | | | 9 | 11,9 | 16,6 | 19,9 | 25 | | 76,6 | 72,6 | 114 | 160 | |

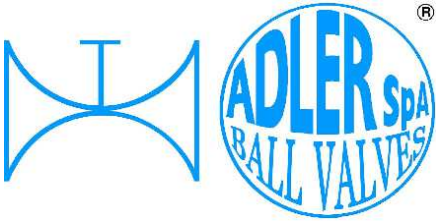
PN 10 ÷ 40

PN 10 ÷ 16

- DATI E CARATTERISTICHE SOGGETTI A VARIAZIONI SENZA PREAVVISO
- SPECIFICATIONS SUBJECT TO MODIFICATIONS WITHOUT PRIOR NOTICE
- TOUS DROITS DE MODIFICATION RESERVES
- KONSTRUKTIONSÄNDERUNGEN VORBEHALTEN



ADLER SpA - BALL VALVES
 20010 S. STEFANO TICINO (MI) ITALY V.le BORLETTI, 14 Tel. +39/02974842.11 FAX +39/0297271698
 E-mail: adler@adlerspa.com <http://www.adlerspa.com>



ISO 9001 by L.R.
 PED DIR. 2014/68/UE by L.R.
 ATEX DIR. 2014/34/UE by B.V.
 FIRE SAFE EXECUTION by L.R.
 ISO 15848 by TÜV
 ANTISTATIC DEVICE by L.R.
 FIRE SAFE TESTED ISO 10497 by L.R.
 EAC CERTIFICATION by B.V

TYPE
VM2
 PN 10 ÷ 40

• ESECUZIONI • EXECUTIONS • EXECUTIONS • AUSFÜHRUNGEN



EXECUTION 4- 12

ONLY FOR VALVES \geq DN 50 **S**

FORO DI BILANCIAMENTO
 BALANCING HOLE
 TROU DE BALANCEMENT
 DRUCKENTLASTUNGSBOHRUNG

ON REQUEST AVAILABLE ON DN \leq 40



EXECUTION 6 - 16

S STANDARD

O OPTIONAL

1

S

CARBON STEEL

**ASTM A105
 DN 40 ÷ 300**

ADLER

UNA GAMMA COMPLETA
 PRIVILEGIANDO LA QUALITA'

A COMPLETE RANGE PRIVILEGING
 THE QUALITY

3

S

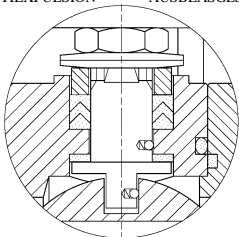
**STAINLESS STEEL
 ASTM A479 316/316L
 DN 40 ÷ 100**

**ASTM A351 CF8M
 DN 150 ÷ 300**

4

S

-STELO ANTI ESPULSIONE -ANTI BLOW OUT STEM
 -TIGE ANTIEXPULSION -AUSBLASGESICHERTE WELLE



-PACCO A "V" -CHEVRON RINGS
 -JOINT A "V" -3 FACHE DACHMANSCHETE
 ANTISTATIC DEVICE ANTISTATIK VORRICHTUNG
 BS 5146

ADLER COMPANY

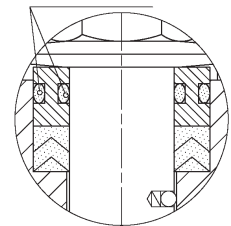


6

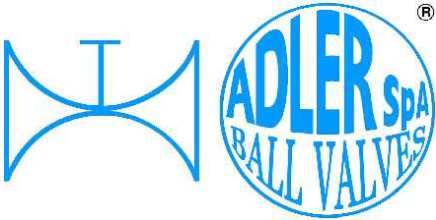
O

**BREVETTO - PATENTED
 00219688 - 21-04-1993**

FKM (VITON)



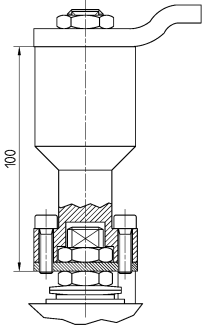
-“O” RING STELO “O” RING ON STEM
 -TIGE AVEC “O” RING
 -“O” RING IM SPINDELBEREICH



ISO 9001 by L.R.
 PED DIR. 2014/68/UE by L.R.
 ATEX DIR. 2014/34/UE by B.V.
 FIRE SAFE EXECUTION by L.R.
 ISO 15848 by TÜV
 ANTISTATIC DEVICE by L.R.
 FIRE SAFE TESTED ISO 10497 by L.R.
 EAC CERTIFICATION by B.V

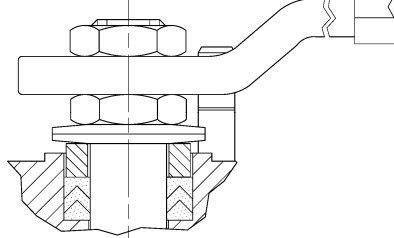
TYPE
VM2
 PN 10 ÷ 40

7



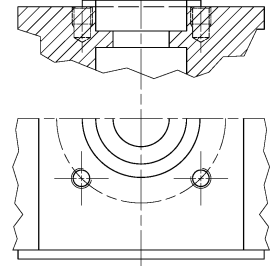
-PROLUNGA STELO -STEM EXTENSION
 -TIGE PROLONGEE -SPINDELVERLÄNGERUNG

8



-PARTICOLARI INOX
 -STAINLESS STEEL DETAILS
 -ACCESSOIRES EN INOX
 -EDELSTAHLTEILE

9

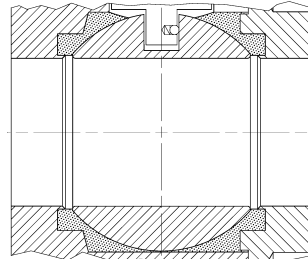


-ATTACCO "ISO" -"ISO" CONNECTIONS
 -SYSTEM "ISO" -ANSCHLUSS "ISO"

**GEAR BOX
 AG series**



11



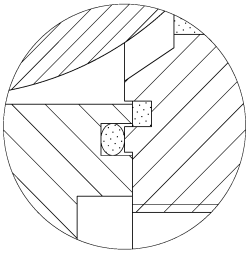
-TENUTE INTEGRALE -POCKETLESS SEATS
 -TENUE INTEGRALE -TOTRAUMARM
 -P.T.F.E. / R.T.F.E.

12

**FIRE SAFE
 ISO 10497 "ISO-FT"
 (BS 6755 / API 607)**



13

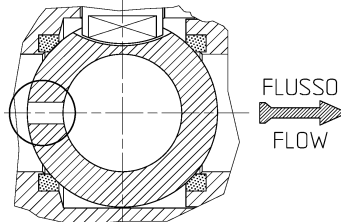


BREVETTO - PATENTED
 00219619

-DOPPIA TENUTA -DOUBLE SEALS
 -DOUBLE ETANCHEITE -DOPPELTE ABDICHTUNG
 -LATERALE A BATTUTA -METAL BEATING END
 -LATERAL AVEC BATTUE MECANIQUE
 -METALLISCHER ANSCHLAG DES
 GEGENGEHÄUSES

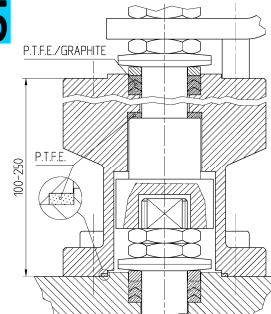
14

VEDERE / SEE ANSI B16.34



-FORO DI SCARICO NELLA SFERA
 -OVERPRESSURE HOLE INTO BALL
 -TROU DECOMPRESSION DANS LA BOULE
 -ENTLASTUNGSBOHRUNG IN DER KUGEL
**VALVOLA MONO DIREZIONALE
 MONO-DIRECTIONAL VALVE**

15



-SERVIZIO CRIOGENICO - CRYOGENIC SERVICE
 -SERVICE CRYOGENIQUE
 -TIEFTEMPERATUR SERVICE

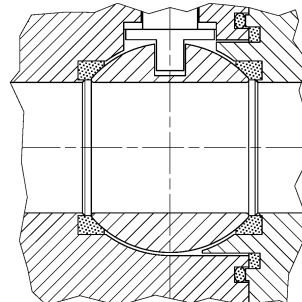
16



-FIRE SAFE ISO FT+ "O" RING STELO
 -FIRE SAFE ISO FT+ "O" RING ON STEM
 -SECURITE FEU ISO FT+ TIGE AVEC "O" RING
 -FEUERSICHERE AUSFÜHRUNG ISO FT +
 "O" RING IM SPINDELBEREICH

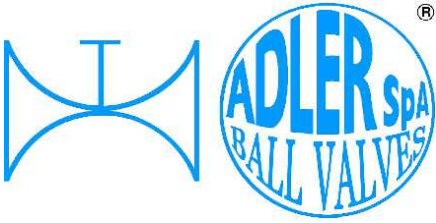
17

-TENUTA INTEGRALE METALLICA
 -METALLIC POCKET LESS SEATS
 -TENUE INTEGRALE METALLIQUE
 -TOTRAUMARM METALLISCH



DIMENSION CHECK

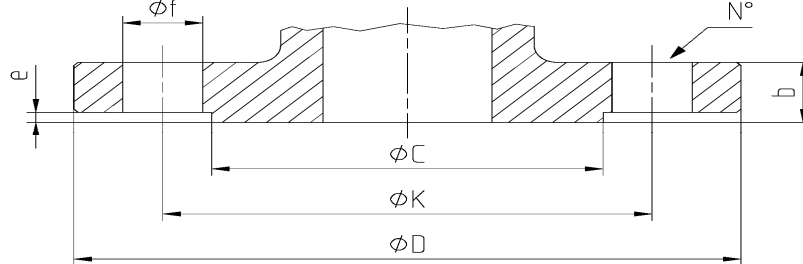




ISO 9001 by L.R.
 PED DIR. 2014/68/UE by L.R.
 ATEX DIR. 2014/34/UE by B.V.
 FIRE SAFE EXECUTION by L.R.
 ISO 15848 by TÜV
 ANTISTATIC DEVICE by L.R.
 FIRE SAFE TESTED ISO 10497 by L.R.
 EAC CERTIFICATION by B.V

TYPE
VM2
 PN 10 ÷ 40

DIMENSIONI FLANGE - FLANGE DIMENSION - DIMENSIONS BRIDES - FLANSCHANSCHLUSSMASSE



| DN | Ref. | 10 | 15 | 20 | 25 | 32 | 40 | 50 | 65 | 80 | 100 | 125 | 150 | 200 | 250 | 300 |
|-------|------|----|----|-----|-----|-----|-----|-----|-----|-----|-----|-----|-----|-----|-----|-----|
| PN 10 | D | | 95 | 105 | 115 | 140 | 150 | 165 | 185 | 200 | 220 | 250 | 285 | 340 | 395 | 445 |
| | C | | 45 | 58 | 68 | 78 | 88 | 102 | 122 | 138 | 158 | 188 | 212 | 268 | 320 | 370 |
| | K | | 65 | 75 | 85 | 100 | 110 | 125 | 145 | 160 | 180 | 210 | 240 | 295 | 350 | 400 |
| | N° | | 4 | 4 | 4 | 4 | 4 | 4 | 4* | 8 | 8 | 8 | 8 | 8 | 12 | 12 |
| | f | | 14 | 14 | 14 | 18 | 18 | 18 | 18 | 18 | 18 | 18 | 22 | 22 | 22 | 22 |
| | b | | 16 | 18 | 18 | 18 | 18 | 18 | 18 | 18 | 20 | 20 | 22 | 22 | 24 | 26 |
| PN 16 | e | | 2 | 2 | 2 | 2 | 3 | 3 | 3 | 3 | 3 | 3 | 3 | 3 | 3 | 4 |
| | D | | 95 | 105 | 115 | 140 | 150 | 165 | 185 | 200 | 220 | 250 | 285 | 340 | 405 | 460 |
| | C | | 45 | 58 | 68 | 78 | 88 | 102 | 122 | 138 | 158 | 188 | 212 | 268 | 320 | 378 |
| | K | | 65 | 75 | 85 | 100 | 110 | 125 | 145 | 160 | 180 | 210 | 240 | 295 | 355 | 410 |
| | N° | | 4 | 4 | 4 | 4 | 4 | 4 | 4* | 8 | 8 | 8 | 8 | 12 | 12 | 12 |
| | F | | 14 | 14 | 14 | 18 | 18 | 18 | 18 | 18 | 18 | 18 | 18 | 22 | 22 | 26 |
| PN 25 | b | | 16 | 18 | 18 | 18 | 18 | 18 | 18 | 20 | 20 | 22 | 22 | 24 | 26 | 28 |
| | e | | 2 | 2 | 2 | 2 | 3 | 3 | 3 | 3 | 3 | 3 | 3 | 3 | 3 | 4 |
| | D | | 95 | 105 | 115 | 140 | 150 | 165 | 185 | 200 | 235 | 270 | 300 | 360 | 425 | 485 |
| | C | | 45 | 58 | 68 | 78 | 88 | 102 | 122 | 138 | 162 | 188 | 218 | 278 | 335 | 395 |
| | K | | 65 | 75 | 85 | 100 | 110 | 125 | 145 | 160 | 190 | 220 | 250 | 310 | 370 | 430 |
| | N° | | 4 | 4 | 4 | 4 | 4 | 4 | 8 | 8 | 8 | 8 | 8 | 12 | 12 | 16 |
| PN 40 | f | | 14 | 14 | 14 | 18 | 18 | 18 | 18 | 18 | 22 | 26 | 26 | 26 | 30 | 30 |
| | b | | 16 | 18 | 18 | 18 | 18 | 20 | 22 | 24 | 24 | 26 | 28 | 30 | 32 | 34 |
| | e | | 2 | 2 | 2 | 2 | 3 | 3 | 3 | 3 | 3 | 3 | 3 | 3 | 3 | 4 |
| | D | | 95 | 105 | 115 | 140 | 150 | 165 | 185 | 200 | 235 | 270 | 300 | 375 | 450 | 515 |
| | C | | 45 | 58 | 68 | 78 | 88 | 102 | 122 | 138 | 162 | 188 | 218 | 285 | 345 | 410 |
| | K | | 65 | 75 | 85 | 100 | 110 | 125 | 145 | 160 | 190 | 220 | 250 | 320 | 385 | 450 |
| PN 40 | N° | | 4 | 4 | 4 | 4 | 4 | 4 | 8 | 8 | 8 | 8 | 8 | 12 | 12 | 16 |
| | f | | 14 | 14 | 14 | 18 | 18 | 18 | 18 | 18 | 22 | 26 | 26 | 30 | 33 | 33 |
| | b | | 16 | 18 | 18 | 18 | 18 | 20 | 22 | 24 | 24 | 26 | 28 | 34 | 38 | 42 |
| | e | | 2 | 2 | 2 | 2 | 3 | 3 | 3 | 3 | 3 | 3 | 3 | 3 | 3 | 4 |

