



ISO 9001 by L.R.
PED DIR. 2014/68/UE by L.R.
ATEX DIR. 2014/34/UE by B.V.
FIRE SAFE EXECUTION by L.R.
ISO 15848 by TÜV
ANTISTATIC DEVICE by L.R.
FIRE SAFE TESTED ISO 10497 by L.R.
EAC CERTIFICATION by B.V

TYPE
VN2
PN 10 ÷ 40

NORME E DIRETTIVE APPLICATE DISPONIBILI AL SEGUENTE LINK:
STANDARD AND DIRECTIVE APPLIED AVAILABLE AT FOLLOWING LINK:
http://www.adlerspa.com/pdf/NORME_ADLER.pdf

VALVOLE A SFERA "UNI EN 558-1" PASSAGGIO VENTURI

CONSTRUCTION ACCORDING TO:
BS EN 12516-2 - ISO 14313
UNI EN 558-1

FULL BORE ACCORDING
TO ISO 14313

ACTUATED
BALL VALVES
CERTIFIED
SIL 3 Capable
According to IEC 61508

On request
FIRE SAFE
According to ISO 10497
"ISO-FT"

BALL VALVES
"UNI EN 558-1" VENTURI PORT
ROBINETS A BOISSEAU SPHERIQUE
"UNI EN 558-1" PASSAGE VENTURI
FLANSCHKUGELHÄHNE IN "UNI EN 558-1"
REDUZIERTER DURCHGANG

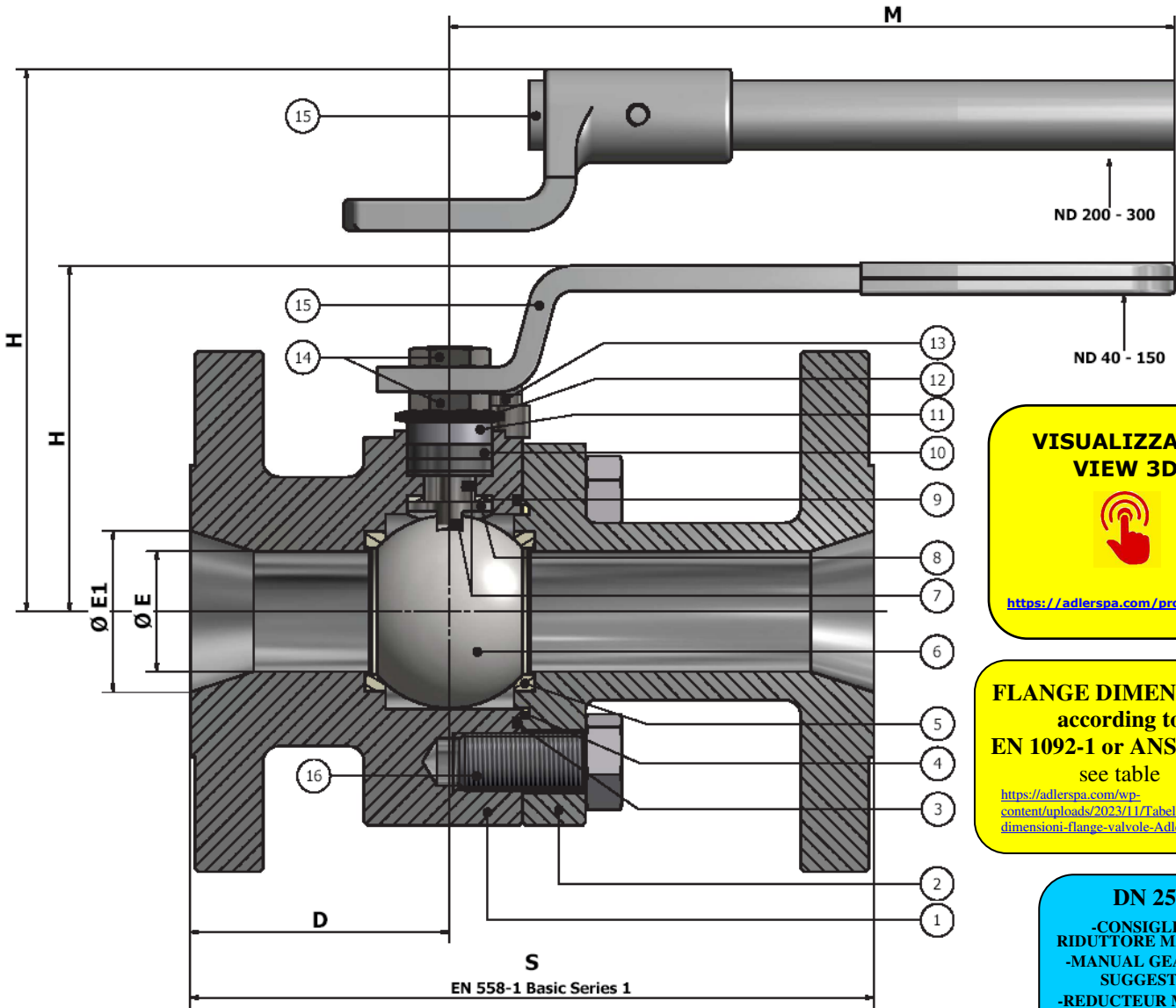
WEB SITE: WWW.ADLERSPA.COM



ISO 9001 by L.R.
 PED DIR. 2014/68/UE by L.R.
 ATEX DIR. 2014/34/UE by B.V.
 FIRE SAFE EXECUTION by L.R.
 ISO 15848 by TÜV
 ANTISTATIC DEVICE by L.R.
 FIRE SAFE TESTED ISO 10497 by L.R.
 EAC CERTIFICATION by B.V

TYPE
VN2
 PN 10 ÷ 40

VALVOLA A SFERA " UNI EN 558-1" PASSAGGIO VENTURI
 BALL VALVES " UNI EN 558-1" VENTURI PORT
 ROBINETS A BOISSEAU SPHERIQUE " UNI EN 558-1" PASSAGE VENTURI
 FLANSCHKUGELHÄHNE IN " UNI EN 558-1" REDUZIERTER DURCHGANG



**VISUALIZZA 3D
 VIEW 3D**



<https://adlerspa.com/prodotti/vn2>

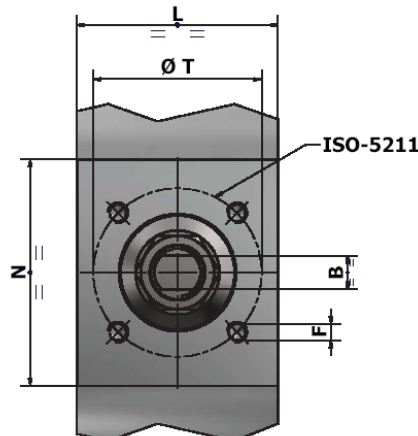
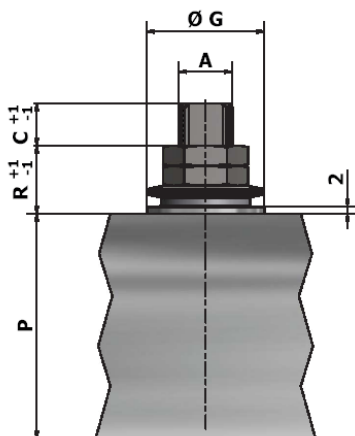
FLANGE DIMENSIONS
 according to
 EN 1092-1 or ANSI B16.5
 see table

<https://adlerspa.com/wp-content/uploads/2023/11/Tabella-dimensioni-flange-valvole-Adler.pdf>

DN 250

- CONSIGLIATO RIDUTTORE MANUALE
- MANUAL GEAR BOX SUGGESTED
- REDUCTEUR MANUEL CONSEILLE
- EMPFEHLEN WIR EIN HANDGETRIEBE

DN 65 PN 16 ESECUZIONE STANDARD CON 4 FORI
 SU RICHIESTA DISPONIBILE CON 8 FORI
 DN 65 PN 16 STANDARD EXECUTION WITH 4 HOLES
 ON REQUEST AVAILABLE WITH 8 HOLES





ISO 9001 by L.R.
 PED DIR. 2014/68/UE by L.R.
 ATEX DIR. 2014/34/UE by B.V.
 FIRE SAFE EXECUTION by L.R.
 ISO 15848 by TÜV
 ANTISTATIC DEVICE by L.R.
 FIRE SAFE TESTED ISO 10497 by L.R.
 EAC CERTIFICATION by B.V

TYPE
VN2
 PN 10 ÷ 40

N.	DESCRIZIONE DESCRIPTION BESCHREIBUNG	MATERIALI MATERIALS MATERIAUX WERKSTOFFE
1	CORPO BODY CORPS MITTE	ASTM A105 ASTM A479 304/304L ASTM A479 316/316L ASTM A 351 CF8M
2	LATERALE END LATERAL ENDE	ASTM A105 ASTM A479 304/304L ASTM A479 316/316L ASTM A 351 CF8M
3*	O-RING	FKM - (VITON)
4*	ANELLO SEAL ANNEAU DICHTUNGSRING	P.T.F.E.
5*	SEDE SEAT SIEGE SITZRING	P.T.F.E. R.P.T.F.E. (OPTIONAL)
6	SFERA BALL BOULE KUGEL	ASTM A479 304/304L ASTM A351 CF8 ASTM A479 316/316L ASTM A351 CF8M
7	DISPOSITIVO ANTISTATICO ANTISTATIC DEVICE CONTACT ANTISTATIQUE ANTISTATIK VORRICHTUNG	ASTM A479 316/316L
8	STELO STEM TIGE SPINDEL	ASTM A479 304/304L ASTM A479 316/316L

N.	DESCRIZIONE DESCRIPTION BESCHREIBUNG	MATERIALI MATERIALS MATERIAUX WERKSTOFFE
9*	BUSSOLA STEM SEAL JOINT TIGE UNTERE SPINDELABDICHTUNG	P.T.F.E.
10*	PACCO A "V" CHEVRON RINGS JOINT A "V" 3 FACHE DACHMANSCHETTE	P.T.F.E. / GRAFITE P.T.F.E. / GRAPHITE P.T.F.E. / GRAPHITE P.T.F.E. / GRAPHIT
11	PREMIBUSSOLA PRESSING BUSH PRESSE RONDELLE STOPFBUCHSDRUCKRING	ASTM A479 304
12	MOLLE A TAZZA SPRING WASHERS RONDELLES BELLEVILLE TELLERFEDERN	C72/50Cr V4 ZINCATO - GALVANIZED - ZINGUE - VERZINKT X10CrNi18.8 ON REQUEST
13	VITE DI FERMO E FERMO PIN AND STOP PIN PLOINT ET PLOT D'ARRET ANSCHLAGBOLZEN	UNI3740 8.8 ZINCATO - GALVANIZED - ZINGUE - VERZINKT UNI 3951 A2-70 ON REQUEST
14	DADO - CONTRODADO NUT - LOCK NUT ECROU - CONTRE-ECROU MUTTER - KONTERMUTTER	UNI 3740 - ZINCATO - GALVANIZED 6S ZINGUE - VERZINKT ASTM A479 304 ON REQUEST
15	LEVA WRENCH LEVIER HANDHEBEL	AISI 1010 GALVANIZED AND PAINTED FOR S.S. VALVES PAINTED FOR C.S. VAVLES ASTM A479 304 ON REQUEST
16	VITE SCREW VIS SCHRAUBE	UNI 3740 8.8 ZINCATO - GALVANIZED - ZINGUE - VERZINKT UNI 3951 A2-70 ON REQUEST

* RICAMBI CONSIGLIATI - RECOMMENDED SPARE PARTS - PIECES DE RECHANGE CONSEILLEES - ERSATZTEIL EMPFEHLUNG

ON REQUEST P.T.F.E. AVAILABLE CERTIFIED BAM, FDA, MOCA

DIMENSIONI - DIMENSION - DIMENSIONS - ABMESSUNGEN

DN	15	20	25	32	40	50	65	80	100	125	150	150	200	250	300	
A					12	16	16	22	22		30	30	42	48		
B					8	10	10	14	14		18	18	28	32		
C					10	10	10	12	12		17	17	19	19		
D					55	61	65	74	77,5		119	109	122	149		
E					30	38	51	64	76		101	118	152	187		
F					M5	M6	M6	M8	M8		M8	M10	M12	M16		
ISO					F03	F05	F05	F07	F07		F07	F10	F12	F14		
G	VEDERE SEE VOIR SIEHE TYPE FN2 PN 10 ÷ 40				25	35	35	55	55		55	70	85	100		
H					119	110	120	144	152		174	188	256	284		
L					34	45	45	61,5	62		80	104,5	112	146		
M					185	280	280	370	370		470	650	750	900		
N					55	60	62	74	73		81	107	112	147		
P					46,5	55	65	82	90,5		99,5	113	144	172,5		
R					17	20	20	23	23		26	26	34	37		
S					200	230	290	310	350		480	480	600	730		
T					36	50	50	70	70		70	102	125	140		
~Kg					13	17	21	32	40		100	95	140	200		

- DATI E CARATTERISTICHE SOGGETTI A VARIAZIONI SENZA PREAVVISO
- SPECIFICATIONS SUBJECT TO MODIFICATIONS WITHOUT PRIOR NOTICE
- TOUS DROITS DE MODIFICATION RESERVES
- KONSTRUKTIONSÄNDERUNGEN VORBEHALTEN

PN 10 ÷ 40

PN 10 ÷ 16



ADLER SpA - BALL VALVES
 20010 S. STEFANO TICINO (MI) ITALY V.le BORLETTI, 14 Tel. +39/02974842.11 FAX +39/0297271698
 E-mail: adler@adlerspa.com <http://www.adlerspa.com>



ISO 9001 by L.R.
 PED DIR. 2014/68/UE by L.R.
 ATEX DIR. 2014/34/UE by B.V.
 FIRE SAFE EXECUTION by L.R.
 ISO 15848 by TÜV
 ANTISTATIC DEVICE by L.R.
 FIRE SAFE TESTED ISO 10497 by L.R.
 EAC CERTIFICATION by B.V

TYPE
VN2
 PN 10 ÷ 40

· ESECUZIONI · EXECUTIONS · EXECUTIONS · AUSFÜHRUNGEN



EXECUTION 4-12

ONLY FOR VALVES \geq DN 50 **S**

FORO DI BILANCIAMENTO
 BALANCING HOLE
 TROU DE BALANCEMENT
 DRUCKENTLASTUNGSBOHRUNG

ON REQUEST AVAILABLE ON DN \leq 40



EXECUTION 6-16

S STANDARD

O OPTIONAL

1

S

CARBON STEEL

ASTM A105
 DN 40 ÷ 300

KEY TORQUE



3

S

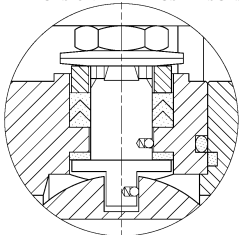
STAINLESS STEEL
 ASTM A479 316/316L
 DN 40 ÷ 100

ASTM A351 CF8M
 DN 150 ÷ 300

4

S

-STELO ANTI ESPULSIONE -ANTI BLOW OUT STEM
 -TIGE ANTIEXPULSION -AUSBLASGESICHERTE WELLE



-PACCO A "V" -CHEVRON RINGS
 -JOINT A "V" -3 FACHE DACHMANSCHETE
 ANTISTATIC DEVICE ANTISTATIK VORRICHTUNG
 BS 5146

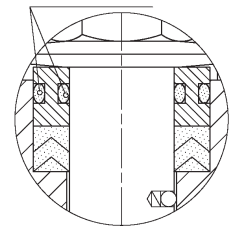
**ANTISTATIC DEVICE
 CERTIFICATE**



6

O

BREVETTO - PATENTED
 00219688 - 21-04-1993
 FKM (VITON)



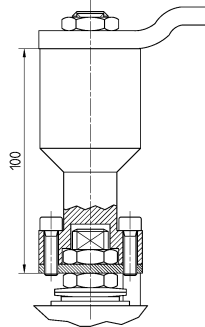
-“O” RING STELO “O” RING ON STEM
 -TIGE AVEC “O” RING
 -“O” RING IM SPINDELBEREICH



ISO 9001 by L.R.
 PED DIR. 2014/68/UE by L.R.
 ATEX DIR. 2014/34/UE by B.V.
 FIRE SAFE EXECUTION by L.R.
 ISO 15848 by TÜV
 ANTISTATIC DEVICE by L.R.
 FIRE SAFE TESTED ISO 10497 by L.R.
 EAC CERTIFICATION by B.V

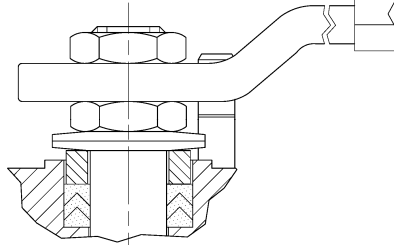
TYPE
VN2
 PN 10 ÷ 40

7



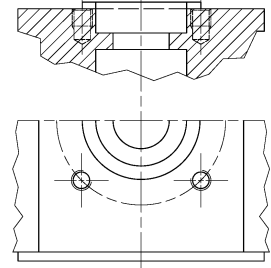
-PROLUNGA STELO -STEM EXTENSION
 -TIGE PROLONGEE -SPINDELVERLÄNGERUNG

8



-PARTICOLARI INOX
 -STAINLESS STEEL DETAILS
 -ACCESSOIRES EN INOX
 -EDELSTAHLTEILE

9

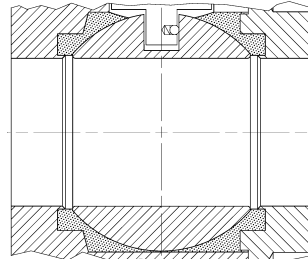


-ATTACCO "ISO" -"ISO" CONNECTIONS
 -SYSTEM "ISO" -ANSCHLUSS "ISO"

**GEAR BOX
 AG series**



11



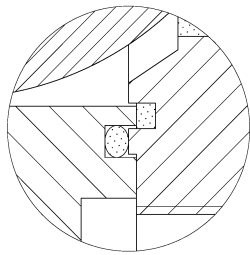
-TENUTE INTEGRALE -POCKETLESS SEATS
 -TENUUE INTEGRALE -TOTRAUMARM
 -P.T.F.E. / R.T.F.E.

12

**FIRE SAFE
 ISO 10497 "ISO-FT"
 (BS 6755 / API 607)**



13

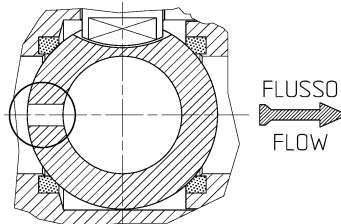


BREVETTO - PATENTED
 00219619

-DOPPIA TENUTA -DOUBLE SEALS
 -DOUBLE ETANCHEITE -DOPPELTE ABDICHTUNG
 -LATERALE A BATTUTA -METAL BEATING END
 -LATERAL AVEC BATTUE MECANIQUE
 -METALLISCHER ANSCHLAG DES
 GEGENGEHÄUSES

14

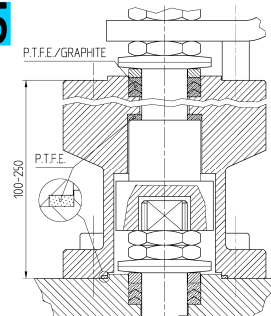
VEDERE / SEE ANSI B16.34



FLUSSO
 FLOW

-FORO DI SCARICO NELLA SFERA
 -OVERPRESSURE HOLE INTO BALL
 -TROU DECOMPRESSION DANS LA BOULE
 -ENTLASTUNGSBOHRUNG IN DER KUGEL
**VALVOLA MONO DIREZIONALE
 MONO-DIRECTIONAL VALVE**

15



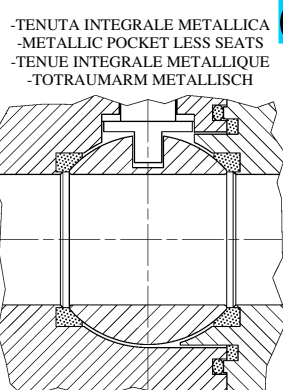
-SERVIZIO CRIOGENICO - CRYOGENIC SERVICE
 -SERVICE CRYOGENIQUE
 -TIEFTEMPERATUR SERVICE

16



-FIRE SAFE ISO FT+ "O" RING STELO
 -FIRE SAFE ISO FT+ "O" RING ON STEM
 -SECURITE FEU ISO FT+ TIGE AVEC "O" RING
 -FEUERSICHERE AUSFÜHRUNG ISO FT+
 "O" RING IM SPINDELBEREICH

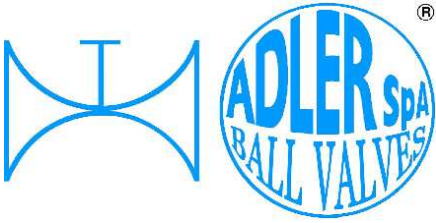
17



-TENUTA INTEGRALE METALLICA
 -METALLIC POCKET LESS SEATS
 -TENUUE INTEGRALE METALLIQUE
 -TOTRAUMARM METALLISCH

C.N.C. TOOLING

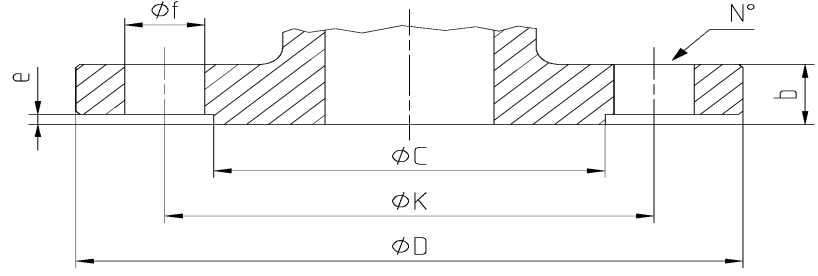




ISO 9001 by L.R.
 PED DIR. 2014/68/UE by L.R.
 ATEX DIR. 2014/34/UE by B.V.
 FIRE SAFE EXECUTION by L.R.
 ISO 15848 by TÜV
 ANTISTATIC DEVICE by L.R.
 FIRE SAFE TESTED ISO 10497 by L.R.
 EAC CERTIFICATION by B.V

TYPE
VN2
 PN 10 ÷ 40

DIMENSIONI FLANGE - FLANGE DIMENSION - DIMENSIONS BRIDES - FLANSCHANSCHLUSSMASSE



DN	Ref.	10	15	20	25	32	40	50	65	80	100	125	150	200	250	300	
PN 10	D		95	105	115	140	150	165	185	200	220	250	285	340	395	445	
	C		45	58	68	78	88	102	122	138	158	188	212	268	320	370	
	K		65	75	85	100	110	125	145	160	180	210	240	295	350	400	
	N°		4	4	4	4	4	4	4	4*	8	8	8	8	8	12	12
	f		14	14	14	18	18	18	18	18	18	18	18	22	22	22	22
	b		16	18	18	18	18	18	18	18	20	20	22	22	24	26	26
PN 16	D		95	105	115	140	150	165	185	200	220	250	285	340	405	460	
	C		45	58	68	78	88	102	122	138	158	188	212	268	320	378	
	K		65	75	85	100	110	125	145	160	180	210	240	295	355	410	
	N°		4	4	4	4	4	4	4	4*	8	8	8	8	12	12	12
	F		14	14	14	18	18	18	18	18	18	18	18	22	22	26	26
	b		16	18	18	18	18	18	18	18	20	20	22	22	24	26	28
PN 25	D		95	105	115	140	150	165	185	200	235	270	300	360	425	485	
	C		45	58	68	78	88	102	122	138	162	188	218	278	335	395	
	K		65	75	85	100	110	125	145	160	190	220	250	310	370	430	
	N°		4	4	4	4	4	4	4	8	8	8	8	8	12	12	16
	f		14	14	14	18	18	18	18	18	22	26	26	26	30	30	
	b		16	18	18	18	18	20	22	24	24	26	28	30	32	34	
PN 40	D		95	105	115	140	150	165	185	200	235	270	300	375	450	515	
	C		45	58	68	78	88	102	122	138	162	188	218	285	345	410	
	K		65	75	85	100	110	125	145	160	190	220	250	320	385	450	
	N°		4	4	4	4	4	4	4	8	8	8	8	8	12	12	16
	f		14	14	14	18	18	18	18	18	22	26	26	30	33	33	
	b		16	18	18	18	18	20	22	24	24	26	28	34	38	42	
PN 40	D		95	105	115	140	150	165	185	200	235	270	300	375	450	515	
	C		45	58	68	78	88	102	122	138	162	188	218	285	345	410	
	K		65	75	85	100	110	125	145	160	190	220	250	320	385	450	
	N°		4	4	4	4	4	4	4	8	8	8	8	8	12	12	16
	f		14	14	14	18	18	18	18	18	22	26	26	30	33	33	
	b		16	18	18	18	18	20	22	24	24	26	28	34	38	42	
PN 40	D		95	105	115	140	150	165	185	200	235	270	300	375	450	515	
	C		45	58	68	78	88	102	122	138	162	188	218	285	345	410	
	K		65	75	85	100	110	125	145	160	190	220	250	320	385	450	
	N°		4	4	4	4	4	4	4	8	8	8	8	8	12	12	16
	f		14	14	14	18	18	18	18	18	22	26	26	30	33	33	
	b		16	18	18	18	18	20	22	24	24	26	28	34	38	42	
PN 40	D		95	105	115	140	150	165	185	200	235	270	300	375	450	515	
	C		45	58	68	78	88	102	122	138	162	188	218	285	345	410	
	K		65	75	85	100	110	125	145	160	190	220	250	320	385	450	
	N°		4	4	4	4	4	4	4	8	8	8	8	8	12	12	16
	f		14	14	14	18	18	18	18	18	22	26	26	30	33	33	
	b		16	18	18	18	18	20	22	24	24	26	28	34	38	42	

