



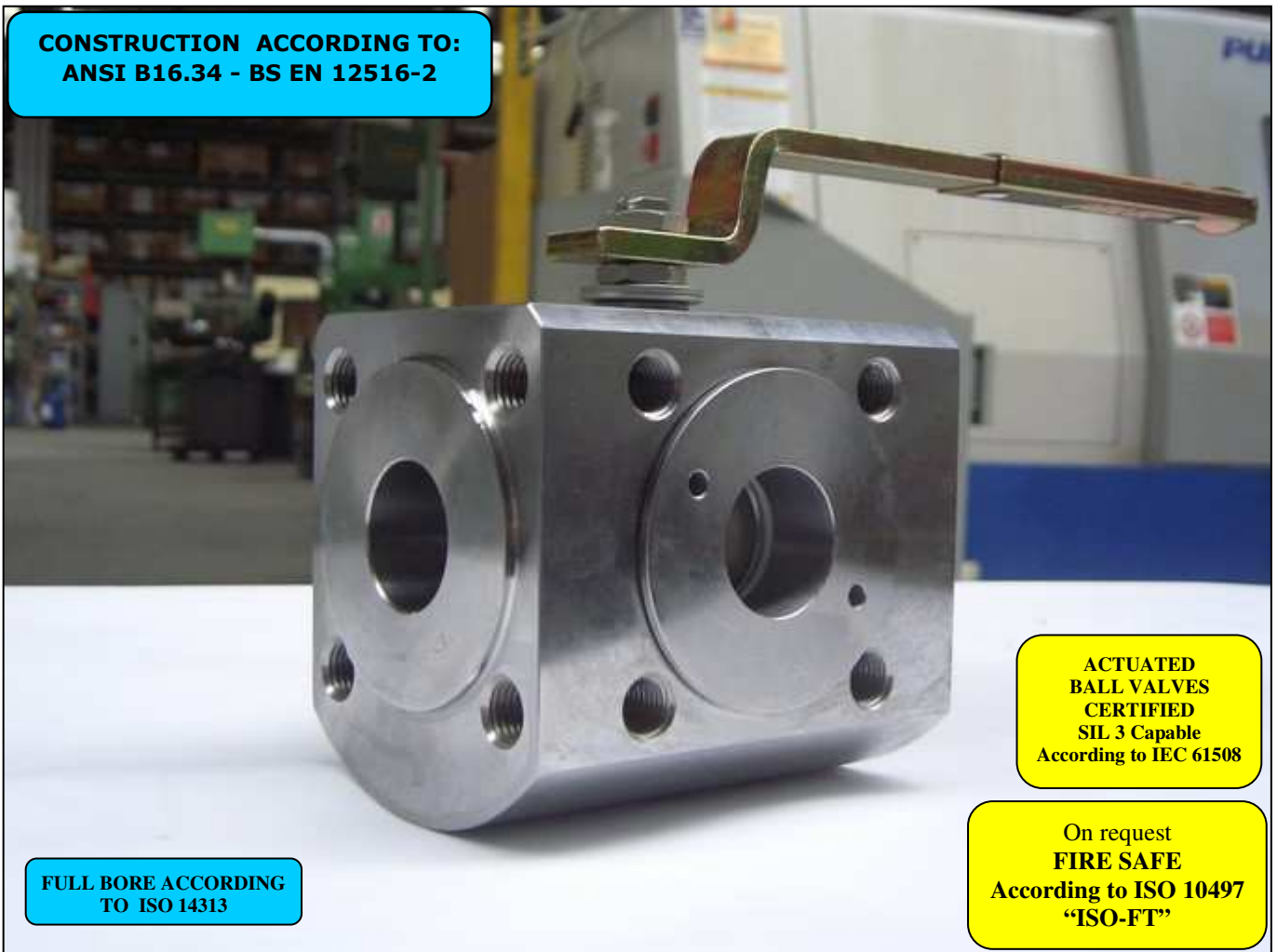
ISO 9001 by L.R.  
PED DIR. 2014/68/UE by L.R.  
ATEX DIR. 2014/34/UE by B.V.  
FIRE SAFE EXECUTION by L.R.  
ISO 15848 by TÜV  
ANTISTATIC DEVICE by L.R.  
FIRE SAFE TESTED ISO 10497 by L.R.  
EAC CERTIFICATION by B.V

TYPE  
**VT5**  
PN 25 ÷ 63

NORME E DIRETTIVE APPLICATE DISPONIBILI AL SEGUENTE LINK:  
STANDARD AND DIRECTIVE APPLIED AVAILABLE AT FOLLOWING LINK:  
[http://www.adlerspa.com/pdf/NORME\\_ADLER.pdf](http://www.adlerspa.com/pdf/NORME_ADLER.pdf)

## VALVOLE A SFERA "4 VIE" CON SFERA A X

CONSTRUCTION ACCORDING TO:  
ANSI B16.34 - BS EN 12516-2



ACTUATED  
BALL VALVES  
CERTIFIED  
SIL 3 Capable  
According to IEC 61508

On request  
FIRE SAFE  
According to ISO 10497  
"ISO-FT"

FULL BORE ACCORDING  
TO ISO 14313

**BALL VALVES "4 WAY" WITH X BALL**  
**ROBINETS A BOISSEAU SPHERIQUE**  
**"4 VOIES" AVEC BOULE A X**

**KUGELHÄHNE "4 WEGE" MIT X KUGEL**

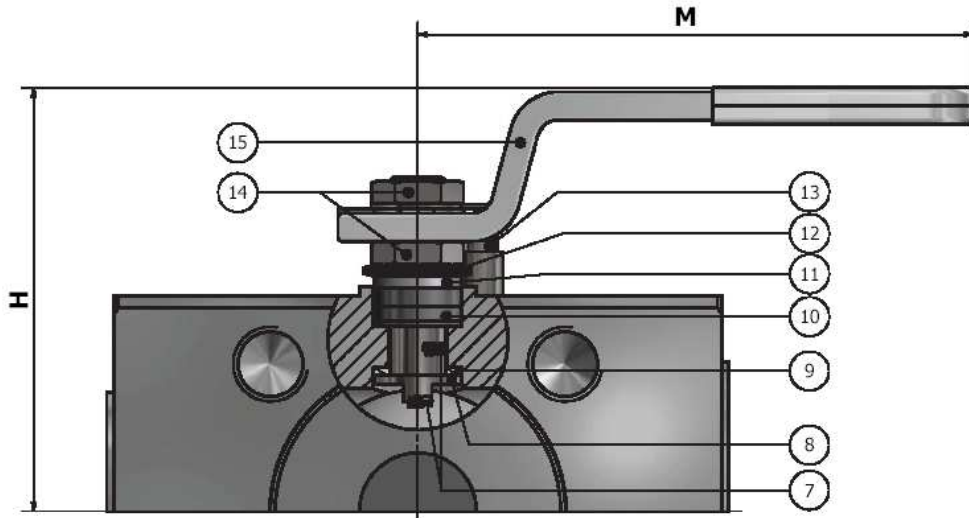
WEB SITE: [WWW.ADLERSPA.COM](http://WWW.ADLERSPA.COM)



ISO 9001 by L.R.  
 PED DIR. 2014/68/UE by L.R.  
 ATEX DIR. 2014/34/UE by B.V.  
 FIRE SAFE EXECUTION by L.R.  
 ISO 15848 by TÜV  
 ANTISTATIC DEVICE by L.R.  
 FIRE SAFE TESTED ISO 10497 by L.R.  
 EAC CERTIFICATION by B.V

TYPE  
**VT5**  
 PN 25 ÷ 63

**VALVOLA A SFERA "4 VIE" CON SFERA A X  
 BALL VALVES "4 WAY" WITH X-BALL  
 ROBINETS A BOULE "4 VOIES" AVEC BOULE A X  
 KUGELHÄHNE "4 WEGE" MIT X-KUGEL**

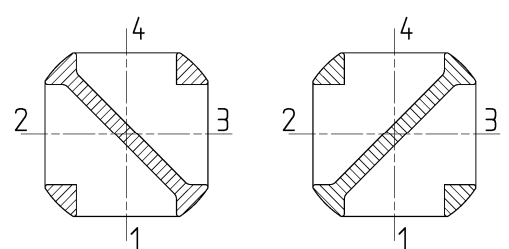
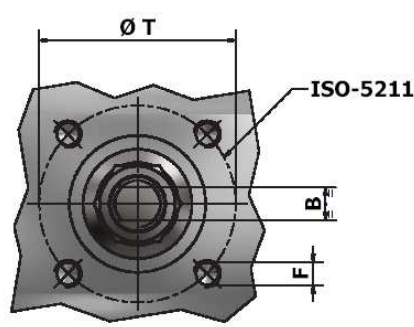
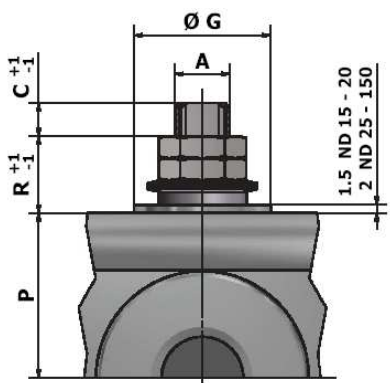
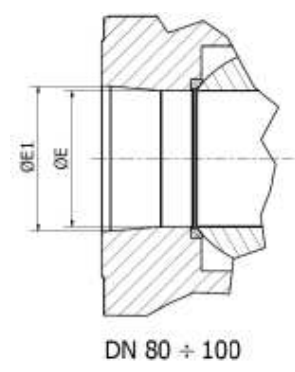
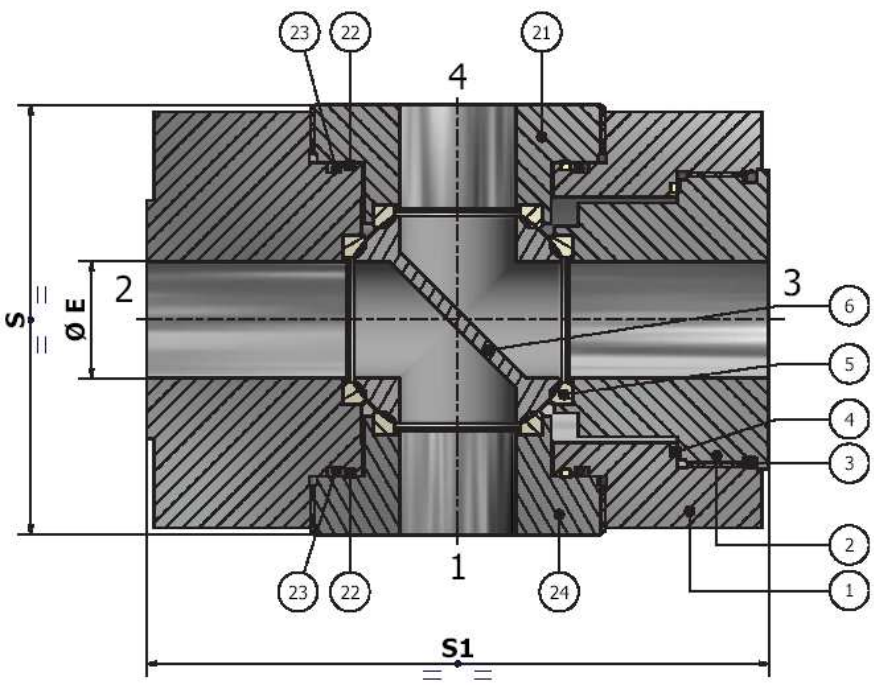


Per montaggio con guarnizioni  
 spirametalliche, contattare Adler Spa.  
 For assembling with spiral-wound  
 gaskets, contact Adler Spa

**VISUALIZZA 3D  
 VIEW 3D**

<https://adlerspa.com/prodotti/vt5>

**FLANGE DIMENSIONS  
 according to  
 EN 1092-1 or ANSI B16.5**  
 see table  
<https://adlerspa.com/wp-content/uploads/2023/11/Tabella-dimensioni-flange-valvole-Adler.pdf>



POSIZIONI OTTENIBILI  
 OBTAINABLE POSITIONS  
 POSITIONS OBTENIBLES  
 MÖGLICHE STELLUNGEN



ISO 9001 by L.R.  
 PED DIR. 2014/68/UE by L.R.  
 ATEX DIR. 2014/34/UE by B.V.  
 FIRE SAFE EXECUTION by L.R.  
 ISO 15848 by TÜV  
 ANTISTATIC DEVICE by L.R.  
 FIRE SAFE TESTED ISO 10497 by L.R.  
 EAC CERTIFICATION by B.V

TYPE  
**VT5**  
 PN 25 ÷ 63

| N.  | DESCRIZIONE<br>DESCRIPTION<br>DESCRIPTION<br>BESCHREIBUNG                                      | MATERIALI<br>MATERIALS<br>MATERIAUX<br>WERKSTOFFE                                      |
|-----|--|--|
| 1   | CORPO<br>BODY<br>CORPS<br>MITTE  | ASTM A105<br>ASTM A479 316/316L  |
| 2   | GHIERA<br>INSERT<br>EMBOUT<br>GEWINDEDRUCKRING   | ASTM A105<br>ASTM A479 316/316L  |
| 3*◇ | O-RING   | FKM (VITON)  |
| 4*  | ANELLO<br>SEAL<br>ANNEAU<br>DICHTUNGSRING  | P.T.F.E.   |
| 5*  | SEDE<br>SEAT<br>SIEGE<br>SITZRING  | P.T.F.E.<br>R.P.T.F.E. (OPTIONAL)  |
| 6   | SFERA<br>BALL<br>BOULE<br>KUGEL  | ASTM A479 304/304L<br>ASTM A351 CF8<br>ASTM A479 316/316L<br>ASTM A351 CF8M            |
| 7   | DISPOSITIVO ANTISTATICO<br>ANTISTATIC DEVICE<br>CONTACT ANTISTATIQUE<br>ANTISTATIK VORRICHTUNG | ASTM A479 316/316L   |
| 8   | STELO<br>STEM<br>TIGE<br>SPINDEL   | ASTM A479 304/304L<br>ASTM A479 316/316L   |
| 9*  | BUSSOLA<br>STEM SEAL<br>JOINT TIGE<br>UNTERE SPINDELABDICHTUNG                                 | P.T.F.E.   |
| 10* | PACCO A "V"<br>CHEVRON RINGS<br>JOINT A "V"<br>3 FACHE DACHMANSCHETTE                          | P.T.F.E. / GRAFITE<br>P.T.F.E. / GRAPHITE<br>P.T.F.E. / GRAPHITE<br>P.T.F.E. / GRAPHIT |

| N.  | DESCRIZIONE<br>DESCRIPTION<br>DESCRIPTION<br>BESCHREIBUNG                            | MATERIALI<br>MATERIALS<br>MATERIAUX<br>WERKSTOFFE   |
|-----|--|---|
| 11  | PREMIBUSSOLA<br>PRESSING BUSH<br>PRESSE RONDELLE<br>STOPFBÜCHSDRUCKRING              | ASTM A479 304   |
| 12  | MOLLE A TAZZA<br>SPRING WASHERS<br>RONDELLES BELLEVILLE<br>TELLERFEDERN              | C72/50Cr V4<br>X10CrNi18.8<br>ZINCATO - GALVANIZED -<br>ZINGUE - VERZINKT<br>ON REQUEST                         |
| 13  | VITE DI FERMO E FERMO<br>PIN AND STOP PIN<br>PLOT ET PLOT D'ARRET<br>ANSCHLAGBOLZEN  | UNI3740 8.8<br>UNI 3951 A2-70<br>ZINCATO - GALVANIZED -<br>ZINGUE - VERZINKT<br>ON REQUEST                      |
| 14  | DADO - CONTRODADO<br>NUT - LOCK NUT<br>ECROU - CONTRE-ECROU<br>MUTTER - KONTERMUTTER | UNI 3740 - 6S<br>ASTM A479 304<br>ZINCATO - GALVANIZED<br>ZINGUE - VERZINKT<br>ON REQUEST                       |
| 15  | LEVA<br>WRENCH<br>LEVIER<br>HANDHEBEL  | AISI 1010<br>ASTM A479 304<br>GALVANIZED AND PAINTED FOR S.S<br>VALVES<br>PAINTED FOR C.S. VALVES<br>ON REQUEST |
| 21  | GHIERA<br>INSERT<br>EMBOUT<br>GEWINDEDRUCKRING                                       | ASTM A105<br>ASTM A479 316/316L   |
| 22* | ANELLO<br>SEAL<br>ANNEAU<br>DICHTUNGSRING  | P.T.F.E.  |
| 23* | O-RING   | FKM (VITON)   |
| 24  | GHIERA<br>INSERT<br>EMBOUT<br>GEWINDEDRUCKRING                                       | ASTM A105<br>ASTM A479 316/316L   |

\* RICAMBI CONSIGLIATI - RECOMMENDED SPARE PARTS - PIECES DE RECHANGE CONSEILLEES - ERSATZTEIL EMPFEHLUNG

ON REQUEST P.T.F.E. AVAILABLE CERTIFIED BAM, FDA, MOCA

## DIMENSIONI - DIMENSION - DIMENSIONS - ABMESSUNGEN

| DN  | 10              | 15   | 20  | 25  | 32  | 40   | 50  | 65   | 65  | 80  | 100  | 100 | 125 | 150 | 200 |
|-----|-----------------|------|-----|-----|-----|------|-----|------|-----|-----|------|-----|-----|-----|-----|
| A   |                 | 10   | 10  | 12  | 12  | 16   | 16  | 22   | 22  | 22  | 30   | 30  |     |     |     |
| B   |                 | 6    | 6   | 8   | 8   | 10   | 10  | 14   | 14  | 14  | 18   | 18  |     |     |     |
| C   |                 | 7    | 7   | 10  | 10  | 15   | 15  | 17   | 17  | 17  | 17   | 17  |     |     |     |
| ØE  |                 | 15   | 19  | 25  | 30  | 38   | 51  | 64   | 64  | 69  | 87   | 87  |     |     |     |
| ØE1 |                 | -    | -   | -   | -   | -    | -   | -    | -   | 76  | 101  | 101 |     |     |     |
| F   |                 | M5   | M5  | M5  | M5  | M6   | M6  | M8   | M8  | M8  | M10  | M10 |     |     |     |
| ISO |                 | F03  | F03 | F03 | F03 | F05  | F05 | F07  | F07 | F07 | F10  | F10 |     |     |     |
| G   |                 | 25   | 25  | 25  | 25  | 35   | 35  | 55   | 55  | 55  | 70   | 70  |     |     |     |
| H   |                 | 70   | 75  | 90  | 95  | 112  | 122 | 147  | 147 | 149 | 174  | 174 |     |     |     |
| M   |                 | 145  | 145 | 185 | 185 | 280  | 280 | 370  | 370 | 370 | 470  | 470 |     |     |     |
| P   |                 | 36,6 | 41  | 46  | 51  | 57   | 67  | 85   | 85  | 87  | 99,5 | 107 |     |     |     |
| R   |                 | 8    | 8   | 17  | 17  | 20   | 20  | 23   | 23  | 23  | 26   | 18  |     |     |     |
| S   |                 | 64   | 80  | 83  | 105 | 113  | 124 | 140  | 162 | 174 | 192  | 210 |     |     |     |
| S1  |                 | 97   | 108 | 115 | 140 | 150  | 165 | 185  | 206 | 216 | 230  | 262 |     |     |     |
| T   |                 | 36   | 36  | 36  | 36  | 50   | 50  | 70   | 70  | 70  | 102  | 102 |     |     |     |
| ~Kg | CARBON STEEL    | 4    | 6,5 | 7,5 | 12  | 15,5 | 18  | 25,5 | 35  | 54  | 69   | 90  |     |     |     |
| ~Kg | STAINLESS STEEL | 3,5  | 5,8 | 6,5 | 11  | 14   | 16  | 24   |     |     |      |     |     |     |     |

- DATI E CARATTERISTICHE SOGGETTI A VARIAZIONI SENZA PREAVVISO
- SPECIFICATIONS SUBJECT TO MODIFICATIONS WITHOUT PRIOR NOTICE
- TOUS DROITS DE MODIFICATION RESERVES
- KONSTRUKTIONÄNDERUNGEN VORBEHALTEN

PN 10 ÷ 16 - ANSI 150

PN 25 ÷ 40

DN 100 ANSI 150 S=100,5 S1=240

PN 10 ÷ 40



ADLER SpA - BALL VALVES  
 20010 S. STEFANO TICINO (MI) ITALY V.le BORLETTI, 14 Tel. +39/02974842.11 FAX +39/0297271698  
 E-mail: [adler@adlerspa.com](mailto:adler@adlerspa.com) <http://www.adlerspa.com>



ISO 9001 by L.R.  
 PED DIR. 2014/68/UE by L.R.  
 ATEX DIR. 2014/34/UE by B.V.  
 FIRE SAFE EXECUTION by L.R.  
 ISO 15848 by TÜV  
 ANTISTATIC DEVICE by L.R.  
 FIRE SAFE TESTED ISO 10497 by L.R.  
 EAC CERTIFICATION by B.V

TYPE  
**VT5**  
 PN 25 ÷ 63

• ESECUZIONI • EXECUTIONS • EXECUTIONS • AUSFÜHRUNGEN



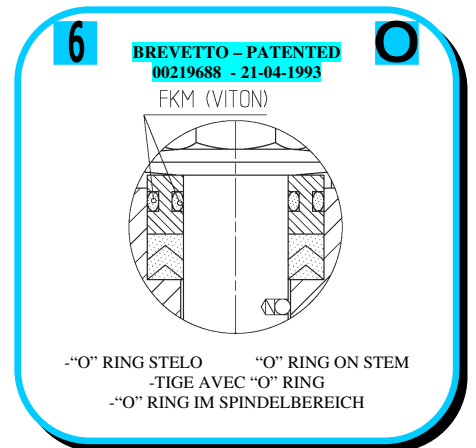
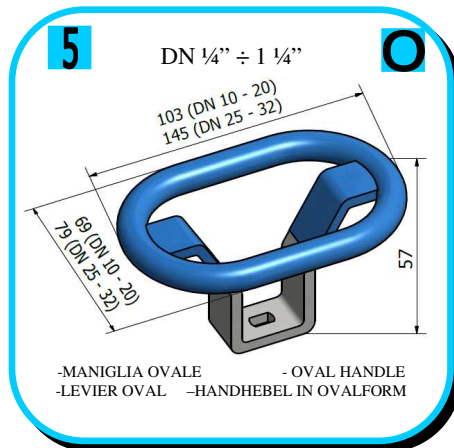
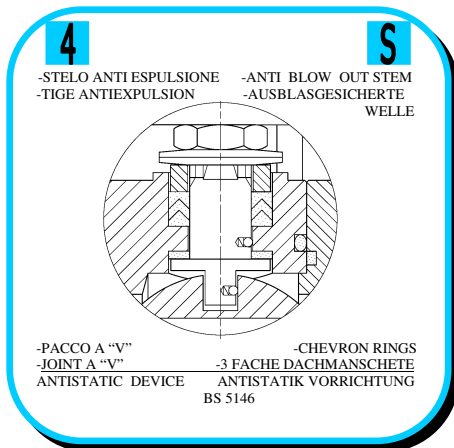
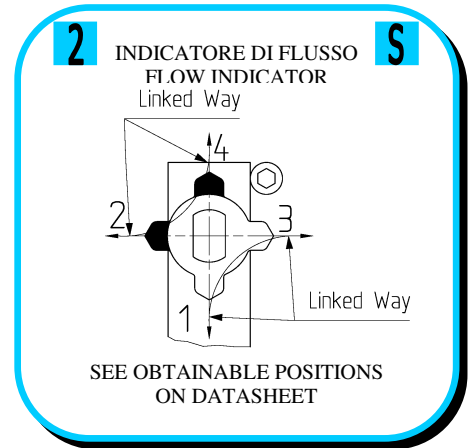
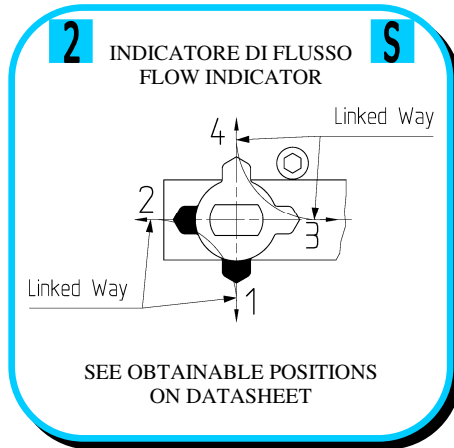
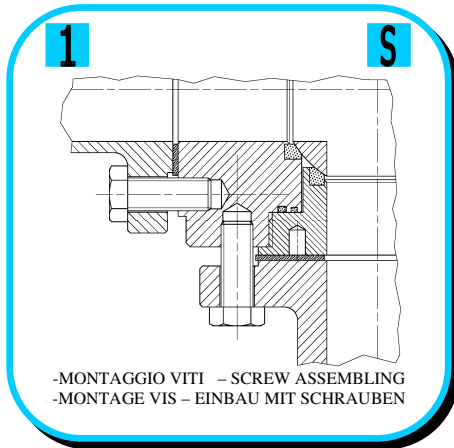
EXECUTION 4- 12



EXECUTION 6 - 16

**S** STANDARD

**O** OPTIONAL



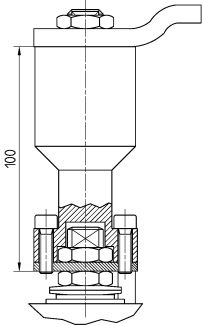




ISO 9001 by L.R.  
 PED DIR. 2014/68/UE by L.R.  
 ATEX DIR. 2014/34/UE by B.V.  
 FIRE SAFE EXECUTION by L.R.  
 ISO 15848 by TÜV  
 ANTISTATIC DEVICE by L.R.  
 FIRE SAFE TESTED ISO 10497 by L.R.  
 EAC CERTIFICATION by B.V

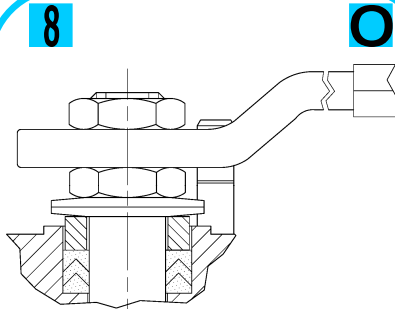
TYPE  
**VT5**  
 PN 25 ÷ 63

7



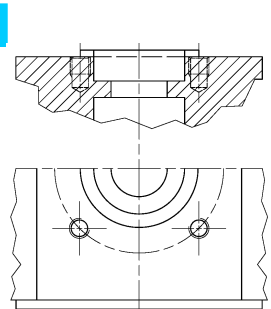
-PROLUNGA STELO -STEM EXTENSION  
 -TIGE PROLONGEE -SPINDELVERLÄNGERUNG

8



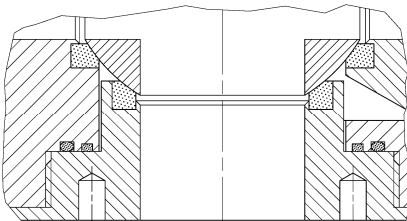
-PARTICOLARI INOX  
 -STAINLESS STEEL DETAILS  
 -ACCESSOIRES EN INOX  
 -EDELSTAHLTEILE

9



-ATTACCO "ISO" -"ISO" CONNECTIONS  
 -SYSTEM "ISO" -ANSCHLUSS "ISO"

10



-SFERA CONTENUTA -CONTENTS BALL  
 -BOULE CONTENUE  
 -NICHT RAUSRAGENDE KUGEL

DIMENSION CHECK

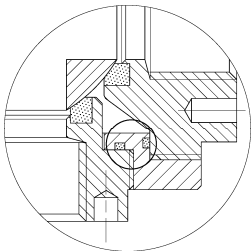


12

FIRE SAFE  
 ISO 10497 "ISO-FT"  
 (BS 6755 / API 607)



13



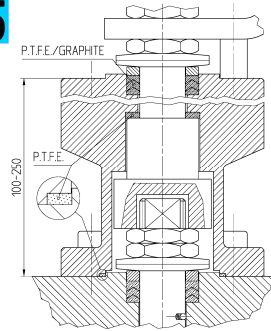
-ANELLO CONTENUTO -CONTAINED SEAL  
 -ANNEAU CONTENU -DICHRING GEKAMMERT  
 -GHIERA A BATTUTA -METAL BEATING RING  
 -EMBOUT AVEC BATTUE MECANIQUE  
 -METALLISCHER ANSCHLAG DES  
 GEWINDEDRUCKRINGS

ADLER

UNA GAMMA COMPLETA  
 PRIVILEGIANDO LA QUALITA'

A COMPLETE RANGE PRIVILEGING  
 THE QUALITY

15



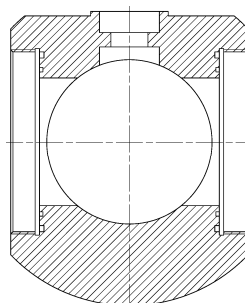
-SERVIZIO CRIOGENICO - CRYOGENIC SERVICE  
 -SERVICE CRYOGENIQUE  
 -TIEFTEMPERATUR SERVICE

16



-FIRE SAFE ISO FT+ "O" RING STELO  
 -FIRE SAFE ISO FT+ "O" RING ON STEM  
 -SECURITE FEU ISO FT+ TIGE AVEC "O" RING  
 -FEUERSICHERE AUSFÜHRUNG ISO FT+  
 "O" RING IM SPINDELBEREICH

17



C.N.C. TOOLING





ISO 9001 by L.R.  
 PED DIR. 2014/68/UE by L.R.  
 ATEX DIR. 2014/34/UE by B.V.  
 FIRE SAFE EXECUTION by L.R.  
 ISO 15848 by TÜV  
 ANTISTATIC DEVICE by L.R.  
 FIRE SAFE TESTED ISO 10497 by L.R.  
 EAC CERTIFICATION by B.V

TYPE  
**VT5**  
 PN 25 ÷ 63

## EUROPEAN NORM

| DN<br>PN | 15 |         | 20 |         | 25 |         | 32 |         | 40 |         | 50 |         | 65 |                   | 80      |         | 100     |         | 125 |  | 150 |  | 200 |  |  |
|----------|----|---------|----|---------|----|---------|----|---------|----|---------|----|---------|----|-------------------|---------|---------|---------|---------|-----|--|-----|--|-----|--|--|
| 10       | 16 | M12 X30 | 16 | M12 X30 | 16 | M12 X30 | 16 | M16 X35 | 16 | M16 X35 | 16 | M16 X40 | 16 | M16 X40 (*)<br>32 | M16 X40 | 32      | M16 X40 |         |     |  |     |  |     |  |  |
| 16       | 16 | M12 X30 | 16 | M12 X30 | 16 | M12 X30 | 16 | M16 X35 | 16 | M16 X35 | 16 | M16 X40 | 16 | M16 X40           | 32      | M16 X40 | 32      | M16 X40 |     |  |     |  |     |  |  |
| 25       | 16 | M12 X30 | 16 | M12 X35 | 16 | M12 X35 | 16 | M16 X40 | 16 | M16 X40 | 16 | M16 X40 | 32 | M16 X45           | 32      | M16 X45 | 32      | M20 X50 |     |  |     |  |     |  |  |
| 40       | 16 | M12 X30 | 16 | M12 X35 | 16 | M12 X35 | 16 | M16 X40 | 16 | M16 X40 | 16 | M16 X40 | 32 | M16 X45           | 32      | M16 X45 | 32      | M20 X50 |     |  |     |  |     |  |  |

\* N° 8 per UNI 2223/2229

## ANSI METRIC

(STANDARD ADLER)

| Ø<br>Rating | 1/2" |         | 3/4" |         | 1" |         | 1 1/4" |         | 1 1/2" |         | 2" |         | 2 1/2" |         | 3" |         | 4" |         | 5" |  | 6" |  | 8" |  |  |
|-------------|------|---------|------|---------|----|---------|--------|---------|--------|---------|----|---------|--------|---------|----|---------|----|---------|----|--|----|--|----|--|--|
| 150         | 16   | M14 X30 | 16   | M14 X30 | 16 | M14 X30 | 16     | M14 X35 | 16     | M14 X35 | 16 | M16 X40 | 16     | M16 X40 | 16 | M16 X45 | 32 | M16 X45 |    |  |    |  |    |  |  |
| 300         | 16   | M14 X30 | 16   | M16 X35 | 16 | 316 X35 | 16     | M16 X40 | 16     | M20 X45 | 32 | M16 X40 | 32     | M20 X50 | 32 | M20 X50 | 32 | M20 X55 |    |  |    |  |    |  |  |

## ANSI B1.1 UNC

(ON REQUEST)

| Ø<br>Rating | 1/2" |             | 3/4" |             | 1" |             | 1 1/4" |             | 1 1/2" |             | 2" |             | 2 1/2" |             | 3" |             | 4" |             | 5" |  | 6" |  | 8" |  |  |
|-------------|------|-------------|------|-------------|----|-------------|--------|-------------|--------|-------------|----|-------------|--------|-------------|----|-------------|----|-------------|----|--|----|--|----|--|--|
| 150         | 16   | 1/2 X 1 1/4 | 16   | 1/2 X 1 1/4 | 16 | 1/2 X 1 1/4 | 16     | 1/2 X 1 1/4 | 16     | 1/2 X 1 1/2 | 16 | 5/8 X 1 1/2 | 16     | 5/8 X 1 3/4 | 16 | 5/8 X 1 3/4 | 32 | 5/8 X 1 3/4 |    |  |    |  |    |  |  |
| 300         | 16   | 1/2 X 1 1/4 | 16   | 5/8 X 1 1/4 | 16 | 5/8 X 1 1/2 | 16     | 5/8 X 1 1/2 | 16     | 3/4 X 1 3/4 | 16 | 5/8 X 1 3/4 | 32     | 3/4 X 2     | 32 | 3/4 X 2     | 32 | 3/4 X 2 1/4 |    |  |    |  |    |  |  |

ADLER ASSEMBLING

