

**ELETTROVALVOLE  
SOLENOID VALVES**

**EVL51 - EVL52**

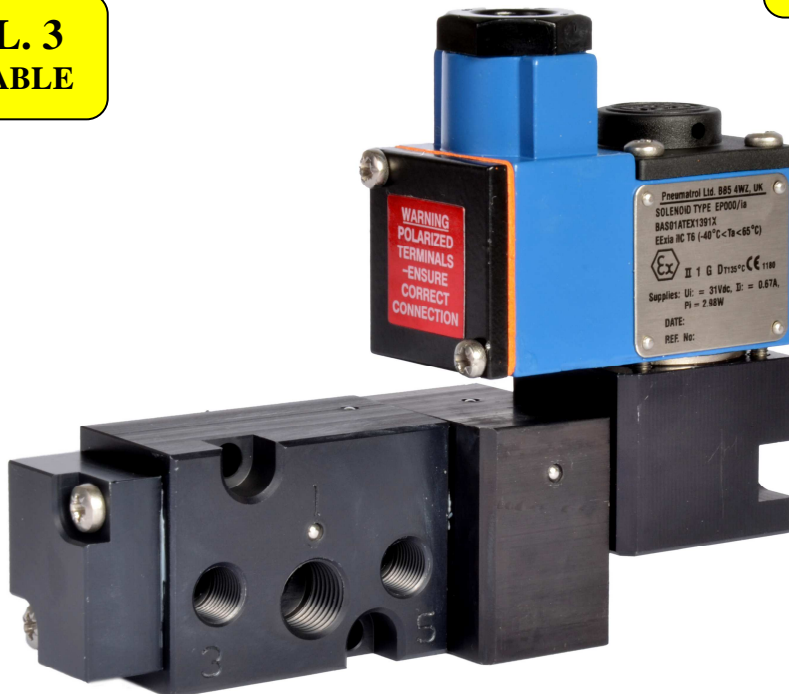
**Ex ia IIC T6**

**EVL51** (C1518PAS0BA - internal reference)

**ELETTROVALVOLA A SINGOLO SOLENOIDE, A SICUREZZA INTRINSECA**  
(con dispositivo di manovra manuale e con ritorno a molla )  
**SINGLE COIL SPOOL VALVE, INTRINSICALLY SAFE**  
(with spring return and manual operator)

**S.I.L. 3  
CAPABLE**

**ATEX  
Zone 0, 1, 2**



**IP 65**

**EVL52** (C1519PAS0BA - internal reference)

**ELETTROVALVOLA A DOPPIO SOLENOIDE, A SICUREZZA INTRINSECA**  
(con dispositivo di manovra manuale e con ritorno a molla )  
**DOUBLE COIL SPOOL VALVE, INTRINSICALLY SAFE**  
(with spring return and manual operator)

**DIPONIBILI CON SILENZIATORI IN OTTONE O IN PLASTICA.**  
**DISPONIBILI CON SILENZIATORI RIDUTTORE DI FLUSSO.**  
**AVAILABLE WITH BRASS OR PLASTIC SILENCERS.**  
**AVAILABLE WITH FLOW NOISES SUPPRESSOR REDUCING.**



# ELETTROVALVOLE SOLENOID VALVES

## EVL51 - EVL52

Ex ia IIC T6

### CARATTERISTICHE GENERALI / GENERAL FEATURES

- Interfaccia CNOMO intercambiabile adatta a molte zone pericolose
- Integrazione di scarico a molla (ETS) in funzione 3/2
- Connessioni aria su faccia superiore
- Funzione di ritorno a molla
- Adatto alle funzioni 2/3 e 5/2 per il comando di attuatori a semplice e doppio effetto
- Con dispositivo di manovra manuale a vite
- Intercambiabile CNOMO interface operators providing extensive hazardous area solenoid valve.
- Integrate exhaust to spring (ETS) feature in 3/2 position.
- Top face air connection.
- Single spring return function
- The same valve can be adapted for 3/2 or 5/2 function for controlling double-acting and single-acting actuators
- With screw-type manual operator

### SPECIFICHE TECNICHE / TECHNICAL SPECIFICATIONS

- Pressione di utilizzo: 3 - 10 bar
- Temperatura di utilizzo: -20 / +65 °C
- 1/4" GAS-F aria principale e 1/8" GAS-F di scarico
- Ingresso cavi: M20x1.5
- Tensione: 24v DC
- Protezione bobina: IP65
- Working pressure: 3 - 10 bar
- Temperature range: -20 / + 65°C
- 1/4" GAS-F main air and 1/8" GAS-F exhaust port
- Cable entry: M20x1.5
- Voltage: 24v DC
- Coil protection: IP65

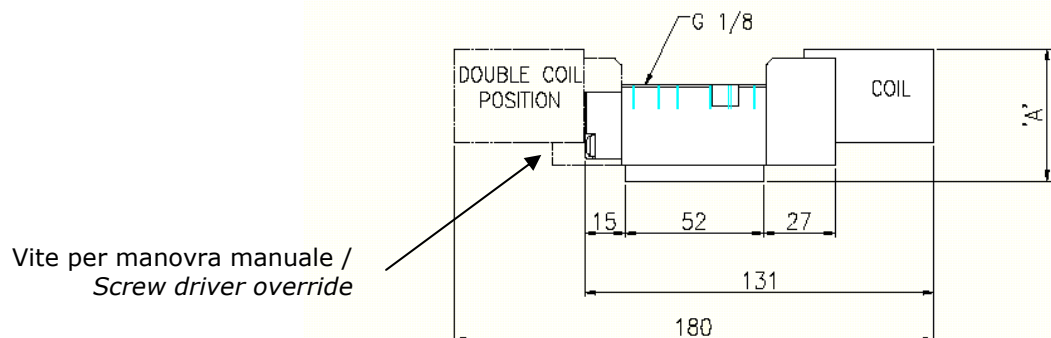
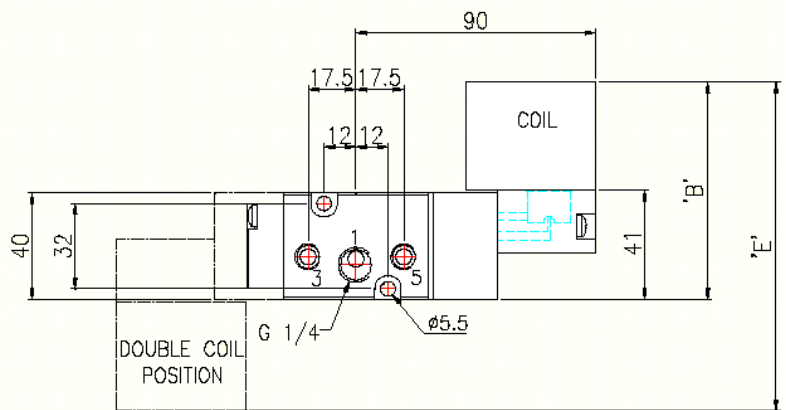
### MATERIALE / MATERIAL

- Corpo: Alluminio anodizzato Dural
- Tappo: Alluminio anodizzato Dural
- Spoletta: Alluminio impregnato PTFE
- Tenute: Nitrile
- Molle: acciaio inox
- Interfaccia NAMUR: Nylon 66, caricato 30 % vetro
- Body: Aluminium anodized Dural
- End: Aluminium anodized Dural
- Spool: Aluminium PTFE impregnated
- Seals: Nitrile
- Spring: SS
- NAMUR Interface plates: Nylon 66, 30% glass filled

Su richiesta: Corpo e tappo : acciaio inox 316

On request: Body and Cap: 316 SS

	A	B	E
EExia std	50	100	160



Vite per manovra manuale /  
Screw driver override



**ELETTROVALVOLE  
SOLENOID VALVES**

**EVL51 - EVL52**

**Ex ia IIC T6**

**BARRIER/COIL CROSS REFERENCE LIST**

Barrier Manufacturer	Barrier Number	Barrier Type	RGS PRODUCTS		
			AV6360A00B (A)	COIL	Mod 6829
			AV6360S00B (A)	24V 10mA	
<b>MTL</b>	MTL2241	Transformer Isolator	✓	✓	✓
<b>KEY BARRIERS</b>	MTL3021	Transformer Isolator	✓	✓	✓
	MTL3022	Transformer Isolator	✓	✓	✓
	MTL4021	Transformer Isolator	✓	✓	✓
	MTL4021S	Transformer Isolator	✓	✓	✓
	MTL4023	Transformer Isolator	✓	✓	✓
	MTL4024	Transformer Isolator	✓	✓	✓
	MTL4025	Transformer Isolator	✓	✓	✓
	MTL5021	Transformer Isolator	✓	✓	✓
	MTL5022	Transformer Isolator	✓	✓	✓
	MTL5024	Transformer Isolator	✓	✓	✓
	MTL5025	Transformer Isolator		✓	
	MTL815-DO-04	Transformer Isolator	✓		✓
	MTL707+	Zener Barrier	✓	✓	✓
	MTL708+	Zener Barrier	✓	✓	✓
	MTL707P+, 728P+	Zener Barrier	✓	✓	✓
	MTL728+	Zener Barrier	✓	✓	✓
	MTL787S+	Zener Barrier	✓	✓	✓
	MTL729P+, 787SP+	Zener Barrier	✓	✓	✓
	MTL4728+	Zener Barrier	✓	✓	✓
	MTL4787+	Zener Barrier	✓	✓	✓
	MTL4787P+	Zener Barrier	✓	✓	✓
	MTL7028+	Zener Barrier	✓	✓	✓
	MTL7087+	Zener Barrier	✓	✓	✓
	MTL7128+	Zener Barrier	✓	✓	✓
	MTL7128P+, 7087P+	Zener Barrier	✓	✓	✓
	MTL7187+	Zener Barrier	✓	✓	✓
	MTL7187P+, 7219P+	Zener Barrier	✓	✓	✓
	MTL7207+	Zener Barrier	✓	✓	✓
	MTL7208+	Zener Barrier	✓	✓	✓
<b>Pepperl &amp; Fuchs</b>	KFD2-SD-EX1.17	Transformer Isolator	✓		✓
<b>KEY BARRIERS</b>	KFD2-SD-EX1.36	Transformer Isolator	✓	✓	✓
	KFD2-SD-EX1.48	Transformer Isolator	✓		✓
	KFD2-SD-EX1.48.90A	Transformer Isolator	✓	✓	✓
	KFD2-SL-EX1.48	Transformer Isolator	✓		✓
	KFD2-SL-EX1.48.90A	Transformer Isolator	✓		✓
	KFD2-SL2-EX2	Transformer Isolator	✓	✓	✓
	KSD2-BO-EX	Transformer Isolator	✓		✓
	KFD2-VD-EX1.1560	Transformer Isolator	✓		✓
	KFD2-VD-EX1.1835	Transformer Isolator	✓	✓	✓
	KFD2-VM-EX1.32	Transformer Isolator		✓	
	KFD2-VM-EX1.35	Transformer Isolator		✓	
	Z722, Z722.CL	Zener Barrier	✓	✓	✓
	Z728, Z728.CL	Zener Barrier	✓	✓	✓
	Z822, Z822.CL	Zener Barrier	✓	✓	✓
	Z828, Z828.CL	Zener Barrier	✓	✓	✓
	Z772, Z872	Zener Barrier	✓	✓	✓
	Z778, Z878	Zener Barrier	✓	✓	✓
	Z779, Z779H	Zener Barrier	✓	✓	✓
	Z879, Z879H	Zener Barrier	✓	✓	✓
	Z787, Z787H	Zener Barrier	✓	✓	✓
	Z887, Z887H	Zener Barrier	✓	✓	✓
<b>Elcon Int. Safety (P &amp; F)</b>	2871/2872	Transformer Isolator	✓	✓	✓
	2873/2874	Transformer Isolator	✓	✓	✓
	2875/2876	Transformer Isolator	✓	✓	✓
	2877/2878	Transformer Isolator	✓	✓	✓
	2881	Transformer Isolator	✓	✓	✓
	1871	Transformer Isolator	✓	✓	✓
	1872	Transformer Isolator	✓	✓	✓
<b>Siemens</b>	SM 322; DO 4 x 24V/10mA	Digital I/O		✓	

EVL51-52/20 RIPRODUZIONE VIETATA - COPYRIGHT