



ISO 9001:2015 by L.R.
PED DIR. 2014/68/UE by L.R.
ATEX DIR. 2014/34/UE by B.V.
FIRE SAFE EXECUTION by L.R.
ISO 15848 by TÜV (UP TO PN 63)
ANTISTATIC DEVICE by L.R.
FIRE SAFE TESTED ISO 10497 by L.R.
EAC CERTIFICATION by B.V.

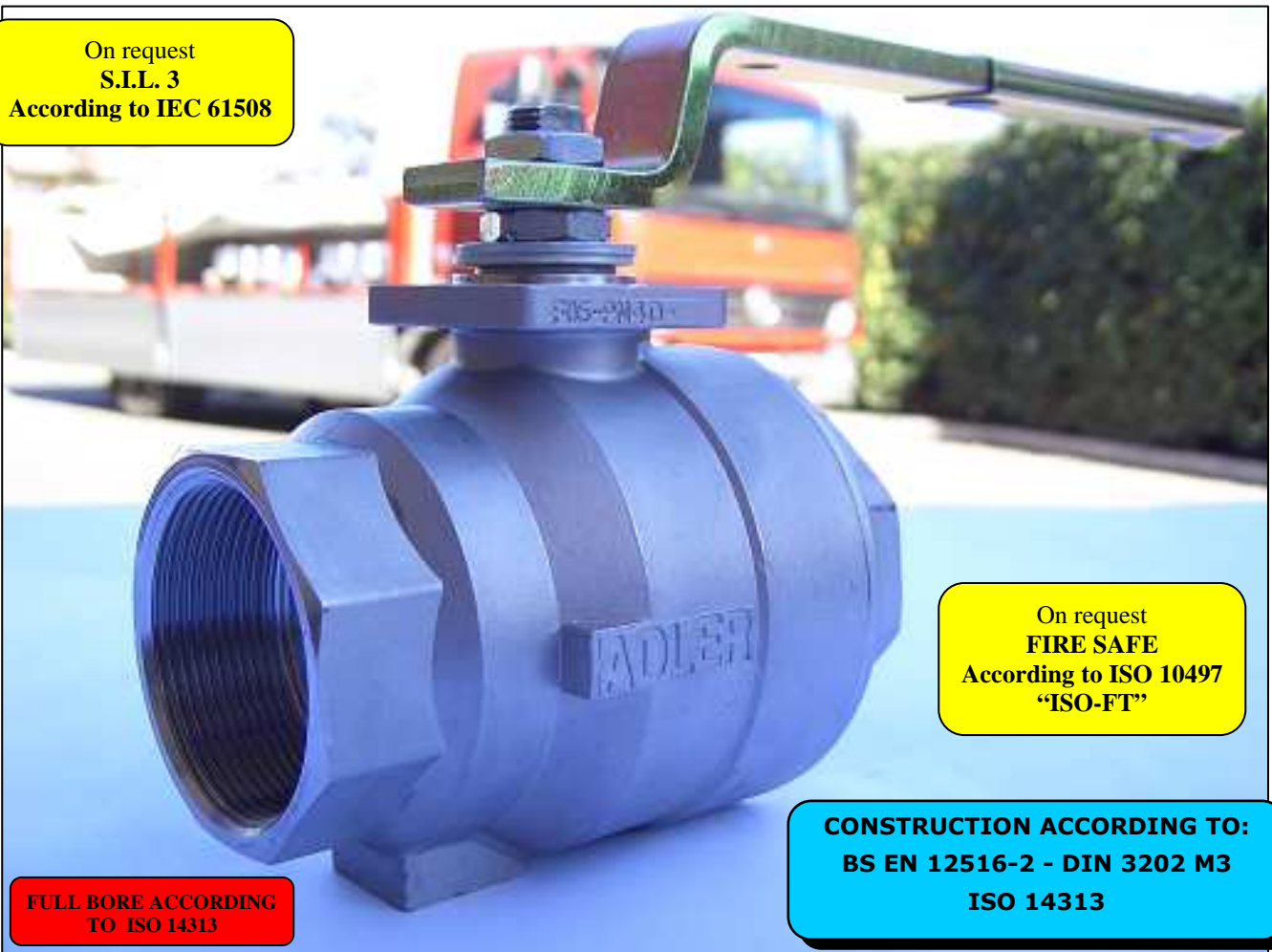
TYPE
FP2
PN 40 ÷ 100

NORME E DIRETTIVE APPLICATE DISPONIBILI AL SEGUENTE LINK:
STANDARD AND DIRECTIVE APPLIED AVAILABLE AT FOLLOWING LINK:
http://www.adlerspa.com/pdf/NORME_ADLER.pdf

VALVOLE A SFERA "2 PEZZI" PASSAGGIO TOTALE GAS ISO 7 - ANSI B1.20.1 NPT

ISO nbr° LRC 0160281 QMS issued by L.R.Q.A. PED nbr° COV 0212112/01 issued by L.R.V.
ATEX nbr° 40.2003.4392 issued by B.V. ISO 15848 nbr° I-148466/1-/2 issued by TÜV

On request
S.I.L. 3
According to IEC 61508



On request
FIRE SAFE
According to ISO 10497
"ISO-FT"

CONSTRUCTION ACCORDING TO:
BS EN 12516-2 - DIN 3202 M3
ISO 14313

FULL BORE ACCORDING
TO ISO 14313

**BALL VALVES "2 PIECES" FULL BORE
ROBINETS A BOISSEAU SPHERIQUE
"2 PIECES" PASSAGE INTEGRAL
KUGELHÄHNE "2 TEILIG"
VOLLER DURCHGANG**

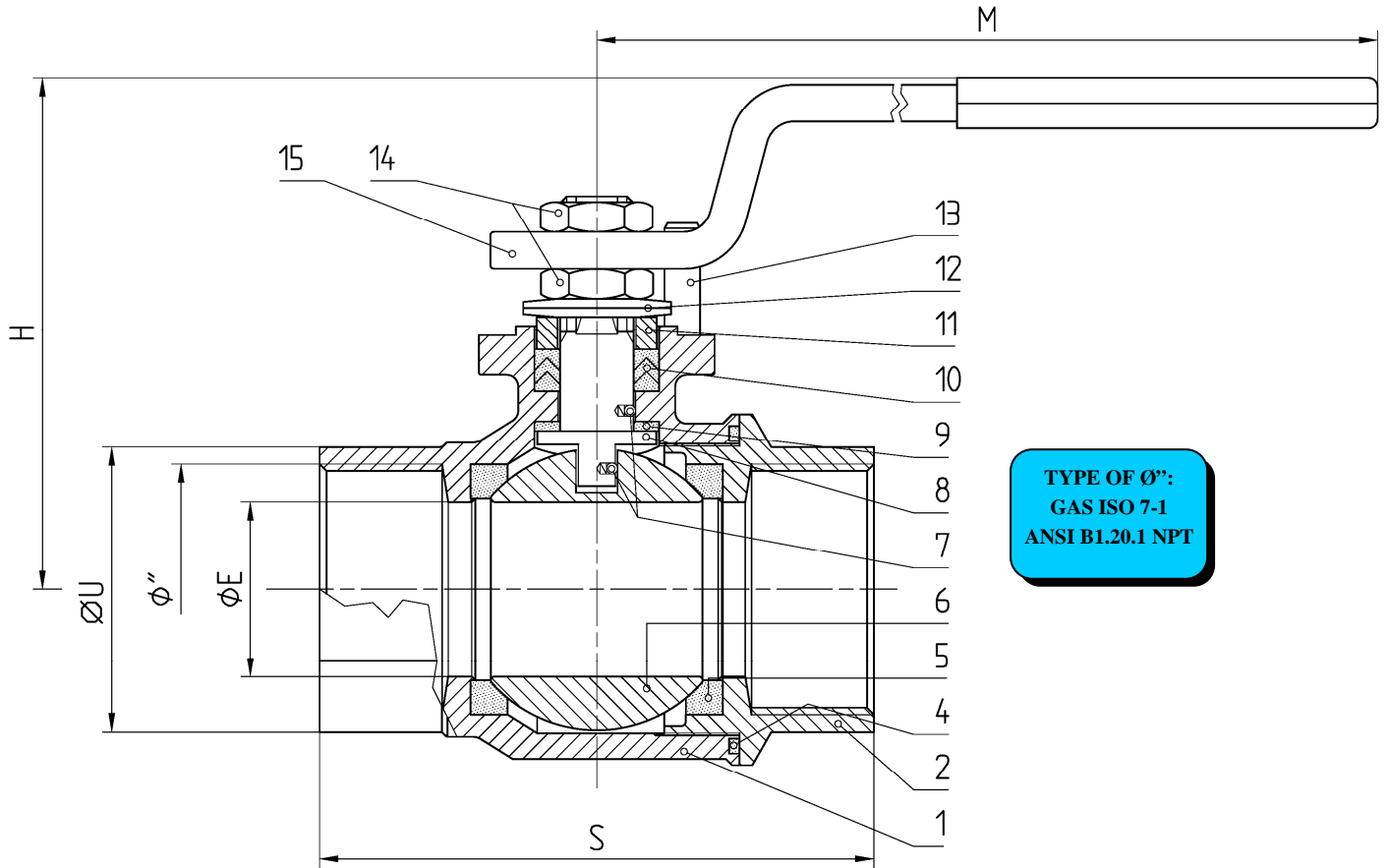
WEB SITE: WWW.ADLERSPA.COM



ISO 9001:2015 by L.R.
 PED DIR. 2014/68/UE by L.R.
 ATEX DIR. 2014/34/UE by B.V.
 FIRE SAFE EXECUTION by L.R.
 ISO 15848 by TÜV (UP TO PN 63)
 ANTISTATIC DEVICE by L.R.
 FIRE SAFE TESTED ISO 10497 by L.R.
 EAC CERTIFICATION by B.V.

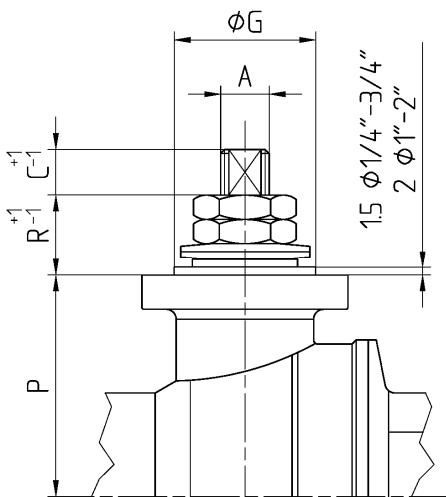
TYPE
FP2
 PN 40 ÷ 100

VALVOLA A SFERA "2 PEZZI" PASSAGGIO TOTALE
BALL VALVES "2 PIECE" FULL BORE
ROBINETS A BOISSEAU SPHERIQUE "2 PIECES" PASSAGE INTEGRAL
KUGELHÄHN "2 TEILIG" VOLLER DURCHGANG



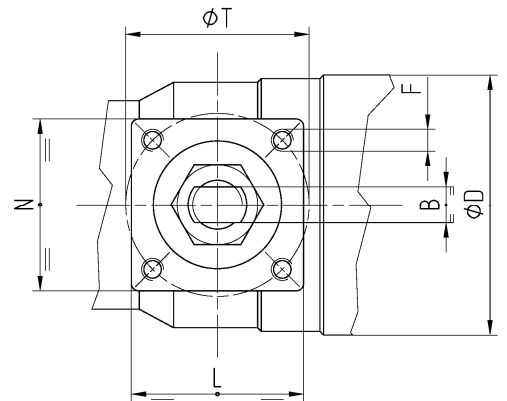
TYPE OF Ø":
 GAS ISO 7-1
 ANSI B1.20.1 NPT

CONSTRUCTION ACCORDING TO:
 BS EN 12516-2 - ISO 14313
 EN 16722 M3 (ex DIN 3202)



• ACCOPPIAMENTO VALVOLA
 ATTUATORE
 • CONNECTION VALVE
 ACTUATOR
 • ACCOUPLEMENT ROBINET-
 ACTIONNEUR
 • ZUSAMMENBAU KUGELHAHN
 ANTRIEB

ISO-5211





ISO 9001:2015 by L.R.
 PED DIR. 2014/68/UE by L.R.
 ATEX DIR. 2014/34/UE by B.V.
 FIRE SAFE EXECUTION by L.R.
 ISO 15848 by TÜV (UP TO PN 63)
 ANTISTATIC DEVICE by L.R.
 FIRE SAFE TESTED ISO 10497 by L.R.
 EAC CERTIFICATION by B.V.

TYPE
FP2
 PN 40 ÷ 100

N.	DESCRIZIONE DESCRIPTION DESCRIPTION BESCHREIBUNG	MATERIALI MATERIALS MATERIAUX WERKSTOFFE
1	CORPO BODY CORPS MITTE	ASTM A 351 CF8M
2	GHIERA INSERT EMBOUT GEWINDEDRUCKRING	ASTM A 351 CF8M
3		
4*	ANELLO SEAL ANNEAU DICHTUNGSRING	P.T.F.E.
5*	SEDE RINFORZATA SEAT REINFORCED SIEGERREINFORCEE SITZRING VERSTÄRKT	P.T.F.E. / 15% FIBERGLASS
6	SFERA BALL BOULE KUGEL	ASTM A479 304/304L ASTM A351 CF8 ASTM A479 316/316L $\varnothing \leq 3/8"$ ASTM A351 CF8M
7	DISPOSITIVO ANTISTATICO ANTISTATIC DEVICE CONTACT ANTISTATIQUE ANTISTATIK VORRICHTUNG	ASTM A479 316/316L
8	STELO STEM TIGE SPINDEL	ASTM A479 304/304L ASTM A479 316/316L $\varnothing \leq 3/8"$

N.	DESCRIZIONE DESCRIPTION DESCRIPTION BESCHREIBUNG	MATERIALI MATERIALS MATERIAUX WERKSTOFFE
9*	BUSSOLA STEM SEAL JOINT TIGE UNTERE SPINDELABDICHTUNG	P.T.F.E.
10*	PACCO A "V" CHEVRON RINGS JOINT A "V" 3 FACHE DACHMANSCHETTE	P.T.F.E. / GRAFITE P.T.F.E. / GRAPHITE P.T.F.E. / GRAPHITE P.T.F.E. / GRAPHIT
11	PREMIBUSSOLA PRESSING BUSH PRESSE RONDELLE STOPFBUCHSDRUCKRING	ASTM A479 304
12	MOLLE A TAZZA SPRING WASHERS RONDELLES BELLEVILLE TELLERFEDERN	C72/50Cr V4 X5CrNi17.7 or X12CrNi17.7 ZINCATO - GALVANIZED - ZINGUE - VERZINKT ON REQUEST
13	VITE DI FERMO E FERMO PIN AND STOP PIN PLOT ET PLOT D'ARRET ANSCHLAGBOLZEN	UNI 3740 8.8 UNI 3951 A2-70 ZINCATO - GALVANIZED - ZINGUE - VERZINKT ON REQUEST
14	DADO - CONTRODADO NUT - LOCK NUT ECROU - CONTRE-ECROU MUTTER - KONTERMUTTER	UNI 3740 - 6S ASTM A479 304 ZINCATO - GALVANIZED ZINGUE - VERZINKT ON REQUEST
15	LEVA WRENCH LEVIER HANDHEBEL	AISI 1010 ASTM A479 304 ZINCATO/VERNICIATO GALVANIZED/PAINTED ZINGUE/PEINT VERZINKT/GEMALTEN ON REQUEST
16		

* RICAMBI CONSIGLIATI - RECOMMENDED SPARE PARTS - PIECES DE RECHANGE CONSEILLEES - ERSATZTEIL EMPFEHLUNG

DIMENSIONI - DIMENSION - DIMENSIONS - ABMESSUNGEN

Ø	1/4"	3/8"	1/2"	3/4"	1"	1 1/4"	1 1/2"	2"	2 1/2"	3"	4"	5"	6"	8"
A	8	8	10	10	12	12	16	16						
B	5	5	6	6	8	8	10	10						
C	6	6	7	7	10	10	15	15						
D	31	31	40	46	54	62	73	97						
E	10	10	15	19	25	30	38	51						
F	M5	M5	M5	M5	M5	M5	M6	M6						
ISO	F03	F03	F03	F03	F03	F03	F05	F05						
G	25	25	25	25	25	25	35	35						
H	46	46	66	68	85	91	106	116						
L=N	33	33	36	36	36	36	51	51						
M	120	120	145	145	185	185	280	280						
P	17,5	17,5	26	28,5	41	45,5	50,5	60,5						
R	12	12	14	14	17	17	20	20						
S	50	60	75	80	90	110	120	140						
T	36	36	36	36	36	36	50	50						
U	22	22	26	32	38	47	54	66						
PN	100	100	64	64	40	40	40	40						
Kg	0,3	0,35	0,45	0,6	0,9	1,25	2,1	3,6						

PN 40 ÷ 100
 Class 800

- DATI E CARATTERISTICHE SOGGETTI A VARIAZIONI SENZA PREAVVISO
- SPECIFICATIONS SUBJECT TO MODIFICATION WITHOUT PRIOR NOTICE
- TOUS DROITS DE MODIFICATION RESERVES
- KONSTRUKTIONSÄNDERUNGEN VORBEHALTEN



ADLER SpA - BALL VALVES
 20010 S. STEFANO TICINO (MI) ITALY V.le BORLETTI, 14 Tel. +39/02974842.11 FAX +39/0297271698
 E-mail: adler@adlerspa.com <http://www.adlerspa.com>



ISO 9001:2015 by L.R.
 PED DIR. 2014/68/UE by L.R.
 ATEX DIR. 2014/34/UE by B.V.
 FIRE SAFE EXECUTION by L.R.
 ISO 15848 by TÜV (UP TO PN 63)
 ANTISTATIC DEVICE by L.R.
 FIRE SAFE TESTED ISO 10497 by L.R.
 EAC CERTIFICATION by B.V.

TYPE
FP2
 PN 40 ÷ 100

• ESECUZIONI • EXECUTIONS • EXECUTIONS • AUSFÜHRUNGEN



EXECUTION 4- 12



EXECUTION 6 - 16

S STANDARD

O OPTIONAL

ONLY FOR VALVES \geq DN 50 **S**

FORO DI BILANCIAMENTO
 BALANCING HOLE
 TROU DE BALANCEMENT
 DRUCKENTLASTUNGSBOHRUNG

ON REQUEST AVAILABLE ON DN \leq 40

DECLARATION ATEX
 FOR ZONE 1-2



4 **S**

-STELO ANTI ESPULSIONE -ANTI BLOW OUT STEM
 -TIGE ANTIEXPULSION -AUSBLASGESICHERETE WELLE

-PACCO A "V" -CHEVRON RINGS
 -JOINT A "V" -3 FACHE DACHMANSCHETE
 ANTISTATIC DEVICE ANTISTATIK VORRICHTUNG
 BS 5146

5 **O**

DN $\frac{1}{4}$ " \div $\frac{1}{4}$ "

103 (DN 10 - 20)
 145 (DN 25 - 32)

79 (DN 10 - 20)
 57

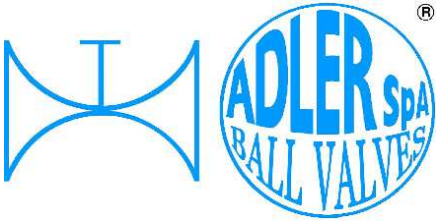
-MANIGLIA OVALE - OVAL HANDLE
 -LEVIER OVAL -HANDHEBEL IN OVALFORM

6 **O**

BREVETTO - PATENTED
 00219688 - 21-04-1993

FKM (VITON)

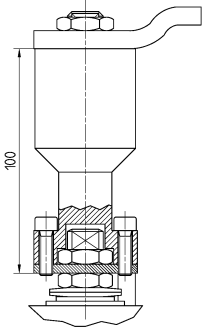
-"O" RING STELO "O" RING ON STEM
 -TIGE AVEC "O" RING
 -"O" RING IM SPINDELBEREICH



ISO 9001:2015 by L.R.
 PED DIR. 2014/68/UE by L.R.
 ATEX DIR. 2014/34/UE by B.V.
 FIRE SAFE EXECUTION by L.R.
 ISO 15848 by TÜV (UP TO PN 63)
 ANTISTATIC DEVICE by L.R.
 FIRE SAFE TESTED ISO 10497 by L.R.
 EAC CERTIFICATION by B.V.

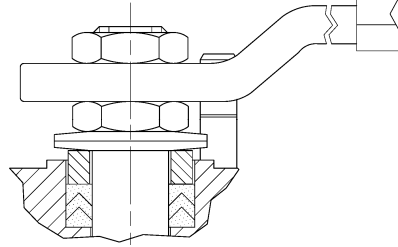
TYPE
FP2
 PN 40 ÷ 100

7 **O**



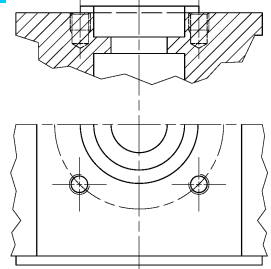
-PROLUNGA STELO -STEM EXTENSION
 -TIGE PROLONGEE -SPINDELVERLÄNGERUNG

8 **O**



-PARTICOLARI INOX
 -STAINLESS STEEL DETAILS
 -ACCESSOIRES EN INOX
 -EDELSTAHLTEILE

9 **S**



-ATTACCO "ISO" -"ISO" CONNECTIONS
 -SYSTEM "ISO" -ANSCHLUSS "ISO"

ANTISTATIC DEVICE
 CERTIFICATE



ADLER

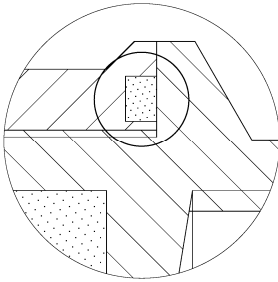
UNA GAMMA COMPLETA
 PRIVILEGIANDO LA QUALITA'
 A COMPLETE RANGE PRIVILEGING
 THE QUALITY

12 **O**

FIRE SAFE
 ISO 10497 "ISO-FT"
 (BS 6755 / API 607)



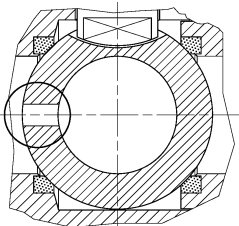
13 **S**



-ANELLO CONTENUTO - ANNEAU CONTENU
 -CONTAINED SEAL -DICHRING GEKAMMERT

14 **O**

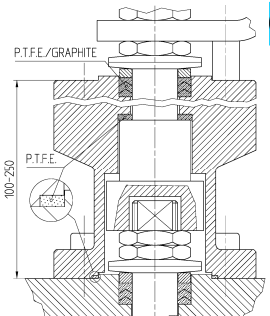
VEDERE / SEE ANSI B16.34



FLUSSO
 FLOW

-FORO DI SCARICO NELLA SFERA
 -OVERPRESSURE HOLE INTO BALL
 -TROU DECOMPRESSION DANS LA BOULE
 -ENTLASTUNGSBOHRUNG IN DER KUGEL
 VALVOLA MONO DIREZIONALE
 MONO-DIRECTIONAL VALVE

15 **O**



-SERVIZIO CRIOGENICO - CRYOGENIC SERVICE
 -SERVICE CRYOGENIQUE
 -TIEFTEMPORATUR SERVICE

16 **O**



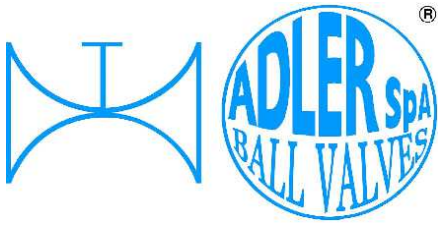
-FIRE SAFE ISO FT+ "O" RING STELO
 -FIRE SAFE ISO FT+ "O" RING ON STEM
 -SECURITE FEU ISO FT+ TIGE AVEC "O" RING
 -FEUERSICHERE AUSFUHRUNG ISO FT+
 "O" RING IM SPINDELBEREICH

LOCKING DEVICE
 OPEN OR CLOSE POSITIONS



ISO 15848 CERTIFICATION
 FOR FIRE-SAFE VALVES



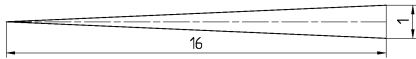


ISO 9001:2015 by L.R.
 PED DIR. 2014/68/UE by L.R.
 ATEX DIR. 2014/34/UE by B.V.
 FIRE SAFE EXECUTION by L.R.
 ISO 15848 by TÜV (UP TO PN 63)
 ANTISTATIC DEVICE by L.R.
 FIRE SAFE TESTED ISO 10497 by L.R.
 EAC CERTIFICATION by B.V.

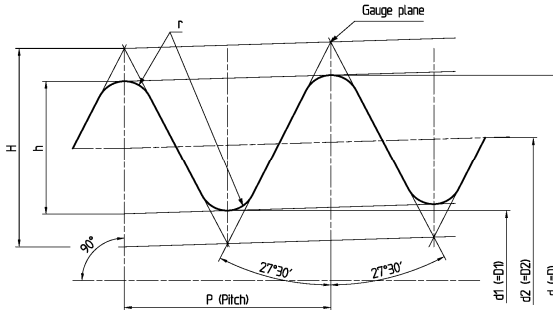
TYPE
FP2
 PN 40 ÷ 100

CARATTERISTICHE DEL FILETTO - THREAD FEATURES - FILETAGE CARACTÉRISTIQUES - GEWINDE KENNDATEN

IN ACCORDANCE TO
 ISO 7-1 - 1994

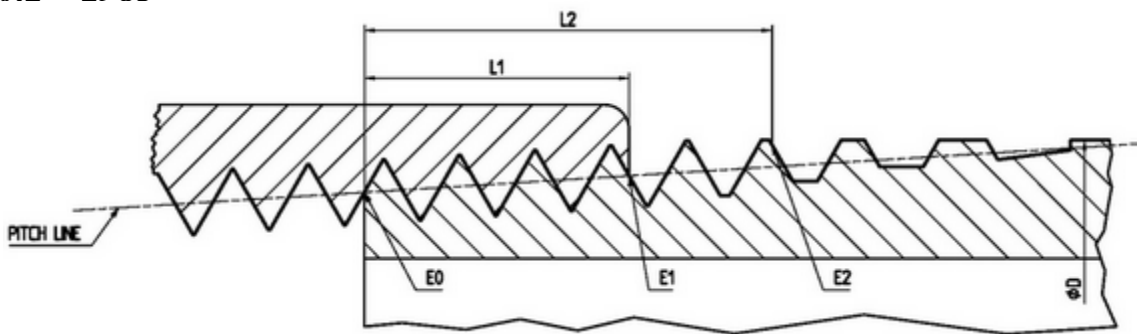


H= 0.960 237 P
 h= 0.640 327 P
 r= 0.137 278 P



1	2	3	4	Diameters of gauges plane			Gauges length (external threads)					Tolerance on position of gauge plan on internal thread		Length of useful external thread not less than			Fitting allowance		Diameter tolerance on parallel internal threads	
				Major d	Pitch d ₂	Minor d ₁	Nominal	Tolerance ±t _v /2			Tolerance ±t _v /2	Turns of thread	Max.	Min.	For nominal gauge length	For maximum gauge length	For minimum gauge length	2)		Turns of thread
								2)	Turns of thread	2)										
1/4	19	1,337	0,856	13,15	12,30	11,44	6	1,3	1	7,3	4,7	1,7	1 1/4	9,7	11	8,4	3,7	2 3/4	±0,104	
3/8	19	1,337	0,856	16,66	15,80	14,95	6,4	1,3	1	7,7	5,1	1,7	1 1/4	10,1	11,4	8,8	3,7	2 3/4	±0,104	
1/2	14	1,814	1,162	20,95	19,79	18,63	8,2	1,8	1	10	6,4	2,3	1 1/4	13,2	15	11,4	5	2 3/4	±0,142	
3/4	14	1,814	1,162	26,44	25,27	24,11	9,5	1,8	1	11,3	7,7	2,3	1 1/4	14,5	16,3	12,7	5	2 3/4	±0,142	
1	11	2,309	1,479	33,24	31,77	30,29	10,4	2,3	1	12,7	8,1	2,9	1 1/4	16,8	19,1	14,5	6,4	2 3/4	±0,180	
1 1/4	11	2,309	1,479	41,91	40,43	38,95	12,7	2,3	1	15	10,4	2,9	1 1/4	19,1	21,4	16,8	6,4	2 3/4	±0,180	
1 1/2	11	2,309	1,479	47,80	46,32	44,84	12,7	2,3	1	15	10,4	2,9	1 1/4	19,1	21,4	16,8	6,4	2 3/4	±0,180	
2	11	2,309	1,479	59,61	58,13	56,65	15,9	2,3	1	18,2	13,6	2,9	1 1/4	23,4	25,7	21,1	7,5	3 1/4	±0,180	

IN ACCORDANCE TO
 ANSI B1.20.1 - 1983



1	2	3	4	5	Handtight engagement			Effective thread, external		
					Length ² (L ₁)		Diam. ³ (E ₁)	Length ⁴ (L ₂)		Diam. ⁵ (E ₂)
					inch	threads		inch	threads	
1/4	0,540	18	0,05556	0,47739	0,2278	4,1	0,49163	0,4018	723	0,50250
3/8	0,675	18	0,05556	0,61201	0,240	4,32	0,32701	0,4078	734	0,63750
1/2	0,840	14	0,07143	0,75843	0,320	4,48	0,77843	0,5337	747	0,79179
3/4	1,050	14	0,07143	0,96768	0,339	4,75	0,98887	0,5457	764	1,00179
1	1,315	11,5	0,0896	1,21363	0,400	4,6	1,23863	0,6828	785	1,25630
1 1/4	1,660	11,5	0,0896	1,55713	0,420	4,83	1,58338	0,7068	813	1,60130
1 1/2	1,900	11,5	0,0896	1,79609	0,420	4,83	1,82237	0,7235	832	1,84130
2	2,375	11,5	0,0896	2,26902	0,436	5,01	2,29627	0,7565	870	2,31630