



ISO 9001:2015 by L.R.  
PED DIR. 2014/68/UE by L.R.  
ATEX DIR. 2014/34/UE by B.V.  
FIRE SAFE EXECUTION by L.R.  
ISO 15848 by TÜV  
ANTISTATIC DEVICE by L.R.  
FIRE SAFE TESTED ISO 10497 by L.R.  
EAC CERTIFICATION by B.V.

TYPE  
**VG2**  
ANSI 300

NORME E DIRETTIVE APPLICATE DISPONIBILI AL SEGUENTE LINK:  
STANDARD AND DIRECTIVE APPLIED AVAILABLE AT FOLLOWING LINK:  
[http://www.adlerspa.com/pdf/NORME\\_ADLER.pdf](http://www.adlerspa.com/pdf/NORME_ADLER.pdf)

## VALVOLE A SFERA "ANSI B16.10" PASSAGGIO VENTURI

ISO nbr° LRC 0160281 QMS issued by L.R.Q.A. PED nbr° COV 0212112/01 issued by L.R.V.  
ATEX nbr° 40.2003.4392 issued by B.V. ISO 15848 nbr° I-148466/1-/2 issued by TÜV

On request  
S.I.L. 3  
According to IEC 61508

On request  
FIRE SAFE  
According to ISO 10497  
"ISO-FT"

REDUCED BORE  
ACCORDING TO ISO 14313

CONSTRUCTION ACCORDING TO:  
BS EN 12516-2 - ANSI B16.34  
ISO 14313 - ANSI B16.5  
ANSI B16.10/UNI EN 558-2

**BALL VALVES**  
**"ANSI B 16.10" VENTURI PORT**  
**ROBINETS A BOISSEAU SPHERIQUE**  
**"ANSI B 16.10" PASSAGE VENTURI**  
**FLANSCHKUGELHÄHNE IN "ANSI B 16.10"**  
**REDUZIERTER DURCHGANG**

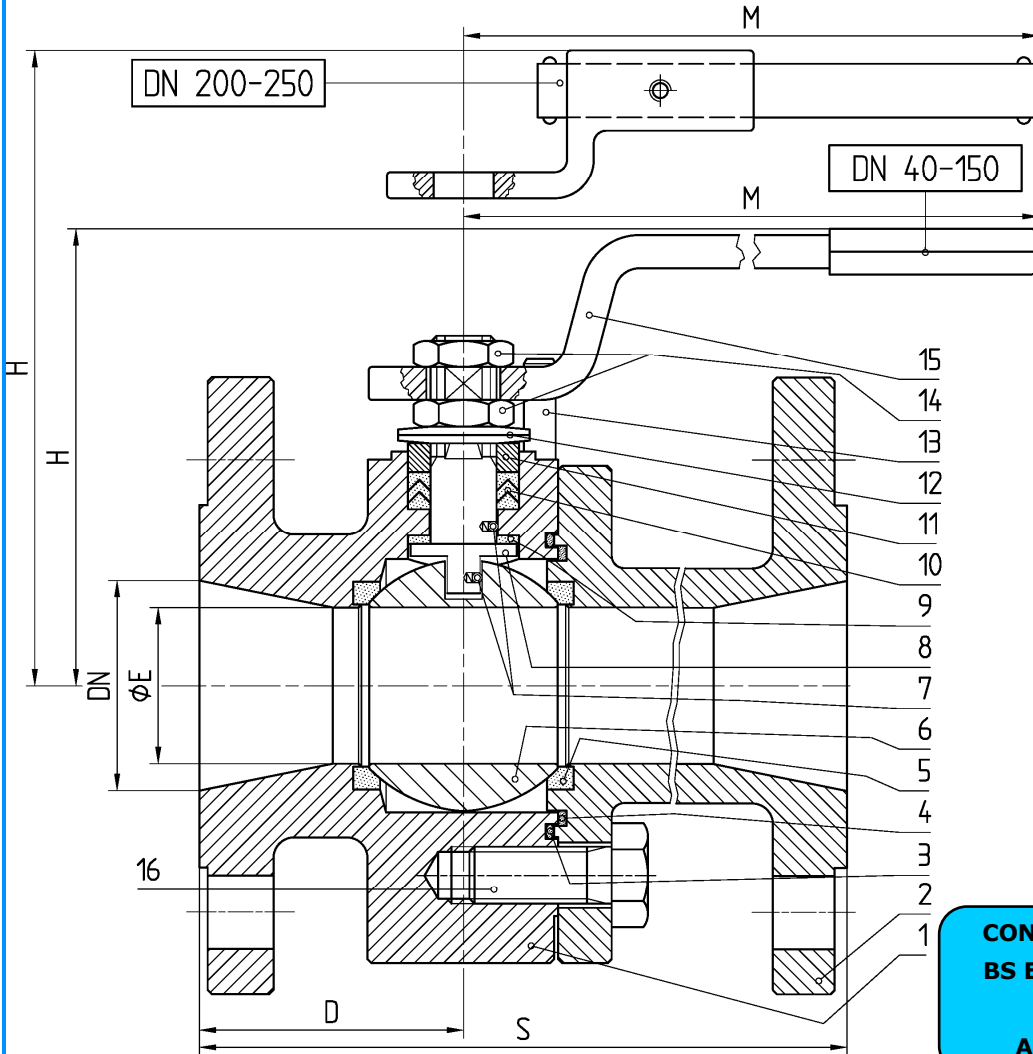
WEB SITE: [WWW.ADLERSPA.COM](http://WWW.ADLERSPA.COM)



ISO 9001:2015 by L.R.  
 PED DIR. 2014/68/UE by L.R.  
 ATEX DIR. 2014/34/UE by B.V.  
 FIRE SAFE EXECUTION by L.R.  
 ISO 15848 by TÜV  
 ANTISTATIC DEVICE by L.R.  
 FIRE SAFE TESTED ISO 10497 by L.R.  
 EAC CERTIFICATION by B.V.

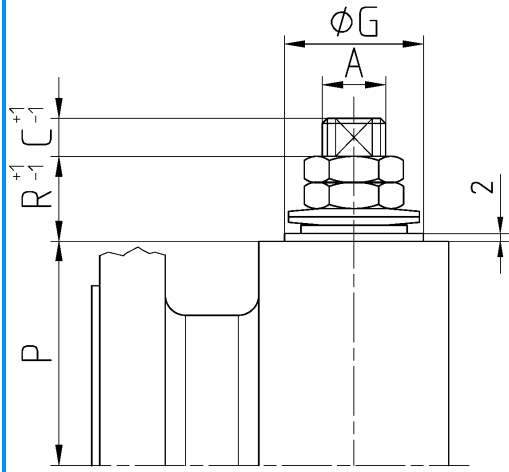
TYPE  
**VG2**  
 ANSI 300

VALVOLA A SFERA "ANSI B 16.10" SPLIT BODY PASSAGGIO TOTALE  
 BALL VALVES "ANSI B 16.10" SPLIT BODY FULL BORE  
 ROBINETS A BOISSEAU SPHERIQUE "ANSI B 16.10" PASSAGE INTEGRAL 2 PIECES  
 FLANSCHKUGELHÄHNE IN "ANSI B 16.10" VOLLER DURCHGANG ZWEIFTEILIGES GEHÄUSE



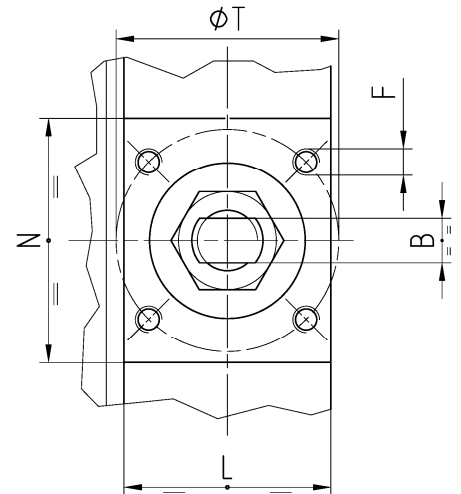
DN 150 ÷ 250  
 -CONSIGLIATO  
 RIDUTTORE MANUALE  
 -MANUAL GEAR BOX  
 SUGGESTED  
 -REDUCTEUR MANUEL  
 CONSEILLE  
 -EMPFEHLEN WIR EIN  
 HANDGETRIEBE

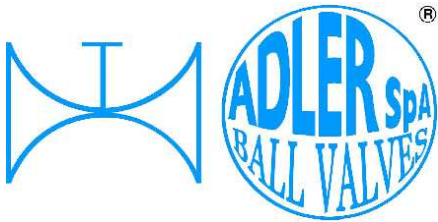
CONSTRUCTION ACCORDING TO:  
 BS EN 12516-2 - ANSI B16.34  
 ISO 14313 - ANSI B16.5  
 ANSI B16.10/UNI EN 558-2



• ACCOPIAMENTO VALVOLA  
 ATTUATORE  
 • CONNECTION VALVE  
 ACTUATOR  
 • ACCOUPLEMENT ROBINET-  
 ACTIONNEUR  
 • ZUSAMMENBAU KUGELHAHN  
 ANTRIEB

**ISO-5211**





ISO 9001:2015 by L.R.  
 PED DIR. 2014/68/UE by L.R.  
 ATEX DIR. 2014/34/UE by B.V.  
 FIRE SAFE EXECUTION by L.R.  
 ISO 15848 by TÜV  
 ANTISTATIC DEVICE by L.R.  
 FIRE SAFE TESTED ISO 10497 by L.R.  
 EAC CERTIFICATION by B.V.

TYPE  
**VG2**  
 ANSI 300

N.	DESCRIZIONE DESCRIPTION DESCRIPTION BESCHREIBUNG	MATERIALI MATERIALS MATERIAUX WERKSTOFFE
1	CORPO BODY CORPS MITTE	ASTM A105 ASTM A479 316/316L ASTM A 351 CF8M
2	LATERALE END LATERAL ENDE	ASTM A105 ASTM A479 316/316L ASTM A 351 CF8M
3*	O-RING	FKM - (VITON)
4*	ANELLO SEAL ANNEAU DICHTUNGSRING	P.T.F.E.
5*	SEDE SEAT SIEGE SITZRING	R.P.T.F.E.
6	SFERA BALL BOULE KUGEL	ASTM A479 304/304L ASTM A351 CF8 ASTM A479 316/316L ASTM A351 CF8M
7	DISPOSITIVO ANTISTATICO ANTISTATIC DEVICE CONTACT ANTISTATIQUE ANTISTATIK VORRICHTUNG	ASTM A479 316/316L
8	STELO STEM TIGE SPINDEL	ASTM A479 304/304L ASTM A479 316/316L

N.	DESCRIZIONE DESCRIPTION DESCRIPTION BESCHREIBUNG	MATERIALI MATERIALS MATERIAUX WERKSTOFFE	
9*	BUSSOLA STEM SEAL JOINT TIGE UNTERE SPINDELABDICHTUNG	P.T.F.E.	
10*	PACCO A "V" CHEVRON RINGS JOINT A "V" 3 FACHE DACHMANSCHETTE	P.T.F.E. / GRAFITE P.T.F.E. / GRAPHITE P.T.F.E. / GRAPHITE P.T.F.E. / GRAPHIT	
11	PREMIBUSSOLA PRESSING BUSH PRESSE RONDELLE STOPFBUCHSDRUCKRING	ASTM A479 304	
12	MOLLE A TAZZA SPRING WASHERS RONDELLES BELLEVILLE TELLERFEDERN	C72/50Cr V4 X5CrNi17.7 or X12CrNi17.7	ZINCATO - GALVANIZED - ZINGUE - VERZINKT ON REQUEST
13	VITE DI FERMO E FERMO PIN AND STOP PIN PLOINT ET PLOT D'ARRET ANSCHLAGBOLZEN	UNI3740 8.8 UNI 3951 A2-70	ZINCATO - GALVANIZED - ZINGUE - VERZINKT ON REQUEST
14	DADO - CONTRODADO NUT - LOCK NUT ECROU - CONTRE-ECROU MUTTER - KONTERMUTTER	UNI 3740 - 6S ASTM A479 304	ZINCATO - GALVANIZED ZINGUE - VERZINKT ON REQUEST
15	LEVA WRENCH LEVIER HANDHEBEL	AISI 1010 ASTM A479 304	ZINCATO/VERNICIATO GALVANIZED/PAINTED ZINGUE/PEINT VERZINKT/GEMALTEN ON REQUEST
16	VITE SCREW VIS SCHRAUBE	UNI 3740 8.8 UNI 3951 A2-70	ZINCATO - GALVANIZED - ZINGUE - VERZINKT ON REQUEST

\* RICAMBI CONSIGLIATI - RECOMMENDED SPARE PARTS - PIECES DE RECHANGE CONSEILLEES - ERSATZTEIL EMPFEHLUNG

## DIMENSIONI - DIMENSION - DIMENSIONS - ABMESSUNGEN

DN	15	20	25	32	40	50	65	80	80	100	125	150	150	200	250	300
A					12	16		16	22	22		30	30	42	48	
B					8	10		10	14	14		18	18	28	32	
C					7	8		8	12	16		17	17	19	19	
D					78	82		117	107,5	109		167	157	149	173	
E					30	38		51	64	76		101	118	152	187	
F					M5	M6		M6	M8	M8		M8	M10	M12	M16	
ISO					F03	F05		F05	F07	F07		F07	F10	F12	F14	
G					25	35		35	55	55		55	70	85	100	
H					119	110		120	143	152		174	188	256	286	
L					34	50		55	72	72		73	115	135	165	
M					185	280		280	370	370		470	650	750	900	
N					40	78		64	83	80		115	100	140	147	
P					46,5	55		65	82	90,5		99,5	120	144	172,5	
R					17	20		20	23	23		26	19	34	36	
S					191	216		283	283	305		403	403	419	457	
T					36	50		50	70	70		70	102	125	140	
-Kg					9	14,5		26	26	39		84	79	120	250	

VEDERE TYPE  
 SEE FG2  
 VOIR ANSI  
 SIEHE 300

- DATI E CARATTERISTICHE SOGGETTI A VARIAZIONI SENZA PREAVVISO
- SPECIFICATIONS SUBJECT TO MODIFICATIONS WITHOUT PRIOR NOTICE
- TOUS DROITS DE MODIFICATION RESERVES
- KONSTRUKTIONÄNDERUNGEN VORBEHALTEN



ADLER SpA - BALL VALVES  
 20010 S. STEFANO TICINO (MI) ITALY V.le BORLETTI, 14 Tel. +39/02974842.11 FAX +39/0297271698  
 E-mail: [adler@adlerspa.com](mailto:adler@adlerspa.com) <http://www.adlerspa.com>



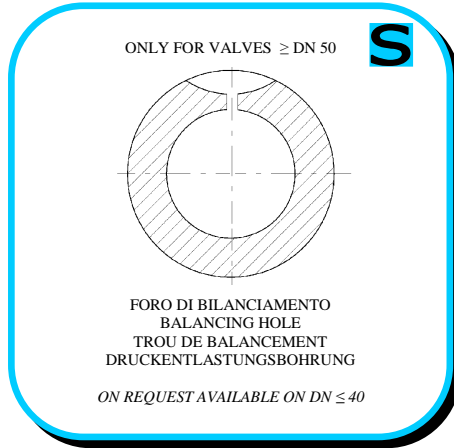
ISO 9001:2015 by L.R.  
 PED DIR. 2014/68/UE by L.R.  
 ATEX DIR. 2014/34/UE by B.V.  
 FIRE SAFE EXECUTION by L.R.  
 ISO 15848 by TÜV  
 ANTISTATIC DEVICE by L.R.  
 FIRE SAFE TESTED ISO 10497 by L.R.  
 EAC CERTIFICATION by B.V.

TYPE  
**VG2**  
 ANSI 300

• ESECUZIONI • EXECUTIONS • EXECUTIONS • AUSFÜHRUNGEN



EXECUTION 4- 12



EXECUTION 6 - 16

**S** STANDARD

**O** OPTIONAL

**1**

**S**

**CARBON STEEL**  
 ASTM A105  
 DN 15 ÷ 200

HARDNESS TOOL



**3**

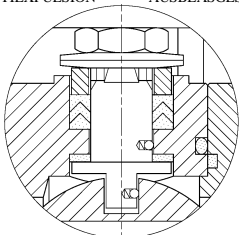
**O**

**STAINLESS STEEL**  
 ASTM A479 304  
 DN 15 ÷ 100  
 ASTM A351 CF8  
 DN 150 ÷ 300

**4**

**S**

-STELO ANTI ESPULSIONE -ANTI BLOW OUT STEM  
 -TIGE ANTIEXPULSION -AUSBLASGESICHERTE WELLE



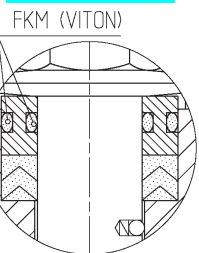
-PACCO A "V" -CHEVRON RINGS  
 -JOINT A "V" -3 FACHE DACHMANSCHETE  
 ANTISTATIC DEVICE ANTISTATIK VORRICHTUNG  
 BS 5146

**DIMENSIONS CHECK**



**6**

**BREVETTO - PATENTED**  
 00219688 - 21-04-1993



-“O” RING STELO “O” RING ON STEM  
 -TIGE AVEC “O” RING  
 -“O” RING IM SPINDELBEREICH

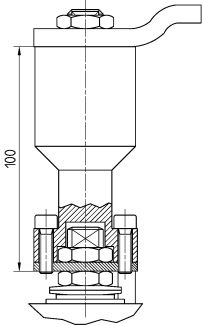




ISO 9001:2015 by L.R.  
 PED DIR. 2014/68/UE by L.R.  
 ATEX DIR. 2014/34/UE by B.V.  
 FIRE SAFE EXECUTION by L.R.  
 ISO 15848 by TÜV  
 ANTISTATIC DEVICE by L.R.  
 FIRE SAFE TESTED ISO 10497 by L.R.  
 EAC CERTIFICATION by B.V.

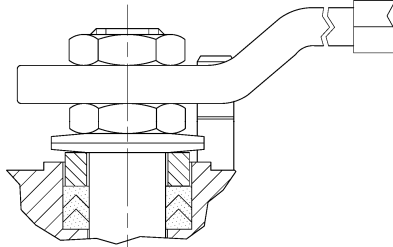
TYPE  
**VG2**  
 ANSI 300

7



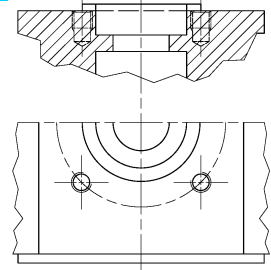
-PROLUNGA STELO -STEM EXTENSION  
 -TIGE PROLONGEE -SPINDELVERLÄNGERUNG

8



-PARTICOLARI INOX  
 -STAINLESS STEEL DETAILS  
 -ACCESSOIRES EN INOX  
 -EDELSTAHLTEILE

9

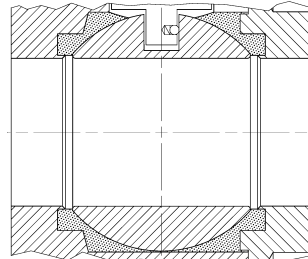


-ATTACCO "ISO" -"ISO" CONNECTIONS  
 -SYSTEM "ISO" -ANSCHLUSS "ISO"

10

**PN**  
**25 ÷ 40**

11



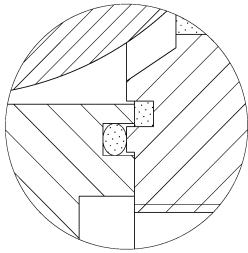
-TENUTE INTEGRALE -POCKETLESS SEATS  
 -TENUE INTEGRALE -TOTRAUMARM  
 -P.T.F.E. / R.T.F.E.

12

FIRE SAFE  
 ISO 10497 "ISO-FT"  
 (BS 6755 / API 607)



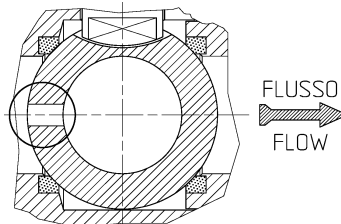
13



-DOPPIA TENUTA -DOUBLE SEALS  
 -DOUBLE ETANCHEITE -DOPPELTE ABDICHTUNG  
 -LATERALE A BATTUTA -METAL BEATING END  
 -LATERAL AVEC BATTUE MECANIQUE  
 -METALLISCHER ANSCHLAG DES  
 GEGENGEHÄUSES

14

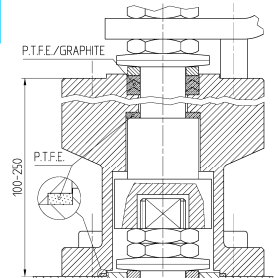
VEDERE / SEE ANSI B16.34



FLUSSO  
 FLOW

-FORO DI SCARICO NELLA SFERA  
 -OVERPRESSURE HOLE INTO BALL  
 -TROU DECOMPRESSON DANS LA BOULE  
 -ENTLASTUNGSBOHRUNG IN DER KUGEL  
 VALVOLA MONO DIREZIONALE  
 MONO-DIRECTIONAL VALVE

15



-SERVIZIO CRIOGENICO - CRYOGENIC SERVICE  
 -SERVICE CRYOGENIQUE  
 -TIEFTEMPERATUR SERVICE

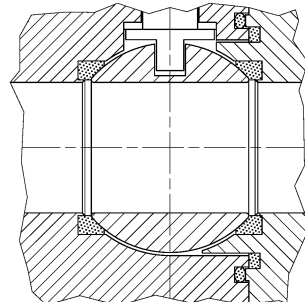
16



-FIRE SAFE ISO FT+ "O" RING STELO  
 -FIRE SAFE ISO FT+ "O" RING ON STEM  
 -SECURITE FEU ISO FT+ TIGE AVEC "O" RING  
 -FEUERSICHERE AUSFÜHRUNG ISO FT+  
 "O" RING IM SPINDELBEREICH

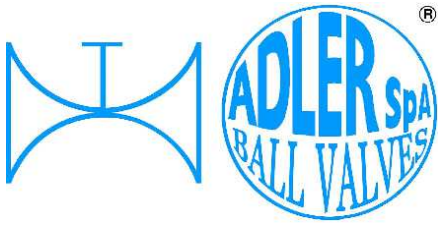
17

-TENUTA INTEGRALE METALLICA  
 -METALLIC POCKET LESS SEATS  
 -TENUE INTEGRALE METALLIQUE  
 -TOTRAUMARM METALLISCH



GEAR BOX  
 AG SERIES

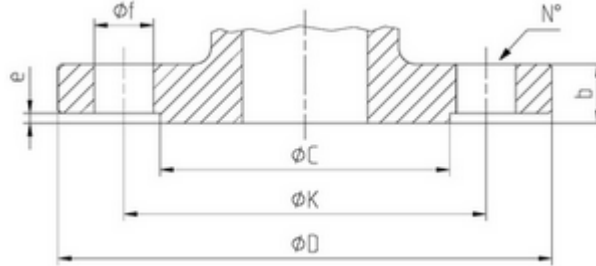




ISO 9001:2015 by L.R.  
 PED DIR. 2014/68/UE by L.R.  
 ATEX DIR. 2014/34/UE by B.V.  
 FIRE SAFE EXECUTION by L.R.  
 ISO 15848 by TÜV  
 ANTISTATIC DEVICE by L.R.  
 FIRE SAFE TESTED ISO 10497 by L.R.  
 EAC CERTIFICATION by B.V.

TYPE  
**VG2**  
 ANSI 300

**DIMENSIONI FLANGE - FLANGE DIMENSION - DIMENSIONS BRIDES - FLANSCHANSCHLUSSMASSE**



**ANSI B16.5**

DN	Ref.	1/2"	3/4"	1"	1 1/4"	1 1/2"	2"	2 1/2"	3"	4"	5"	6"	8"	10"	12"	
ANSI 300 RF	D	95.3	117.4	124	133.4	155.5	165.1	190.5	209.6	254	279.4	317.5	381	444.5	520.7	
	C	35.1	43	50.8	63.5	73.2	92	104.7	127	157.3	185.7	215.9	269.8	323.9	381	
	K	66.5	82.6	88.9	98.6	114.3	127	149.4	168.1	200.2	134.9	269.7	330.2	387.4	450.9	
	N°	4	4	4	4	4	8	8	8	8	8	12	12	16	16	
	f	15.8	19.1	19.1	19.1	22.4	19.1	22.4	22.4	22.4	22.4	22.4	22.4	25.4	28.5	31.8
	b	14.3	15.8	17.6	19.1	20.6	22.4	25.4	28.5	31.8	35.1	36.6	41.2	47.8	50.8	
	e	1.6	1.6	1.6	1.6	1.6	1.6	1.6	1.6	1.6	1.6	1.6	1.6	1.6	1.6	

**EN 1092-1 (OPTIONAL)**

DN	Ref.	10	15	20	25	32	40	50	65	80	100	125	150	200	250	300
PN 25	D	90	95	105	115	140	150	165	185	200	235	270	300	360	425	
	C	40	45	58	68	78	88	102	122	138	162	188	218	278	335	
	K	60	65	75	85	100	110	125	145	160	190	220	250	310	370	
	N°	4	4	4	4	4	4	4	8	8	8	8	8	12	12	
	f	14	14	14	14	18	18	18	18	18	22	26	26	26	30	
	b	16	16	18	18	18	18	20	22	24	24	26	28	30	32	
e	2	2	2	2	2	3	3	3	3	3	3	3	3	3		
PN 40	D	90	95	105	115	140	150	165	185	200	235	270	300	375	450	
	C	40	45	58	68	78	88	102	122	138	162	188	218	285	345	
	K	60	65	75	85	100	110	125	145	160	190	220	250	320	385	
	N°	4	4	4	4	4	4	4	8	8	8	8	8	12	12	
	f	14	14	14	14	18	18	18	18	18	22	26	26	30	33	
	b	16	16	18	18	18	18	20	22	24	24	26	28	34	38	
e	2	2	2	2	2	3	3	3	3	3	3	3	3	3		

\* n°8 fori

